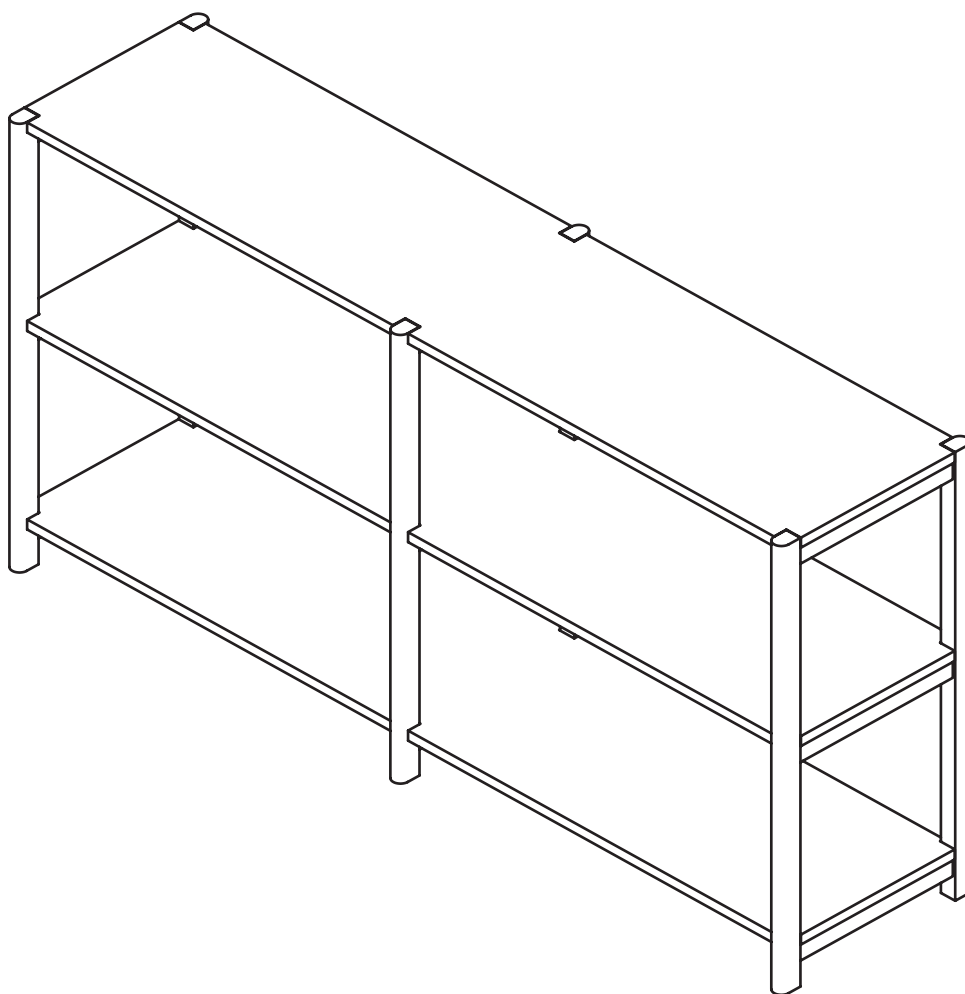


ARTICLE.

VERSION 1.0

Assembly Instructions



MYSEN

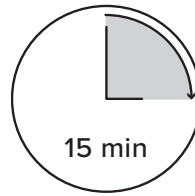
Bookcase

ASSEMBLY INSTRUCTIONS

Read these instructions carefully and keep for future reference. Refer to parts inventory for guidance, and ensure you have all pieces before starting.

When assembling, place all parts on a soft, clean, and flat surface such as a carpet to prevent scratches.

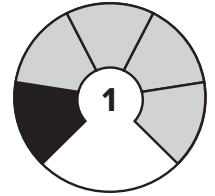
If you're having difficulty, our friendly Customer Care team is always here to help. Call us at **1.888.746.3455** during business hours, email service@article.com or chat live at [article.com](https://www.article.com).



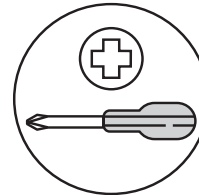
TIME



OF PEOPLE




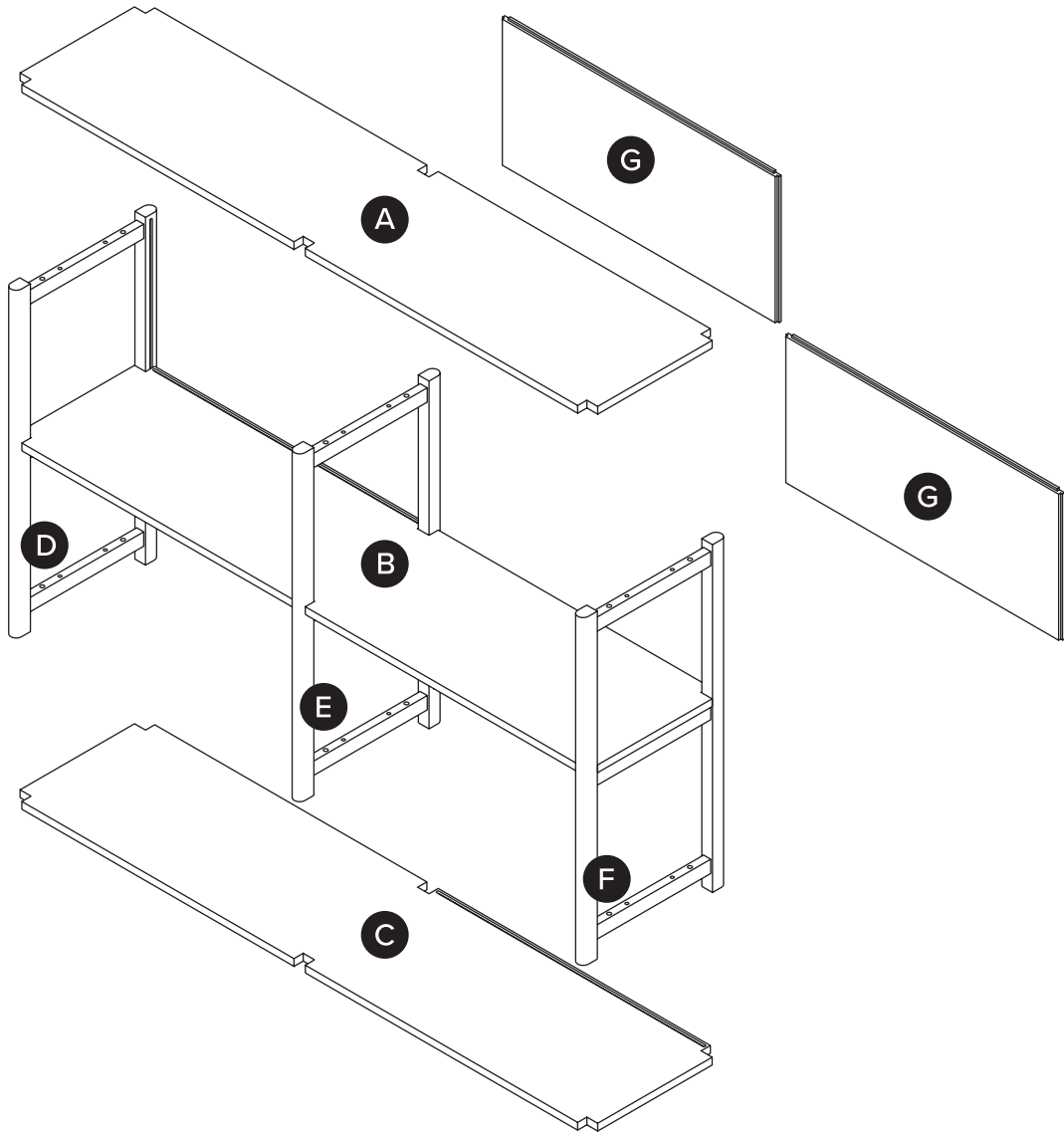
DIFFICULTY



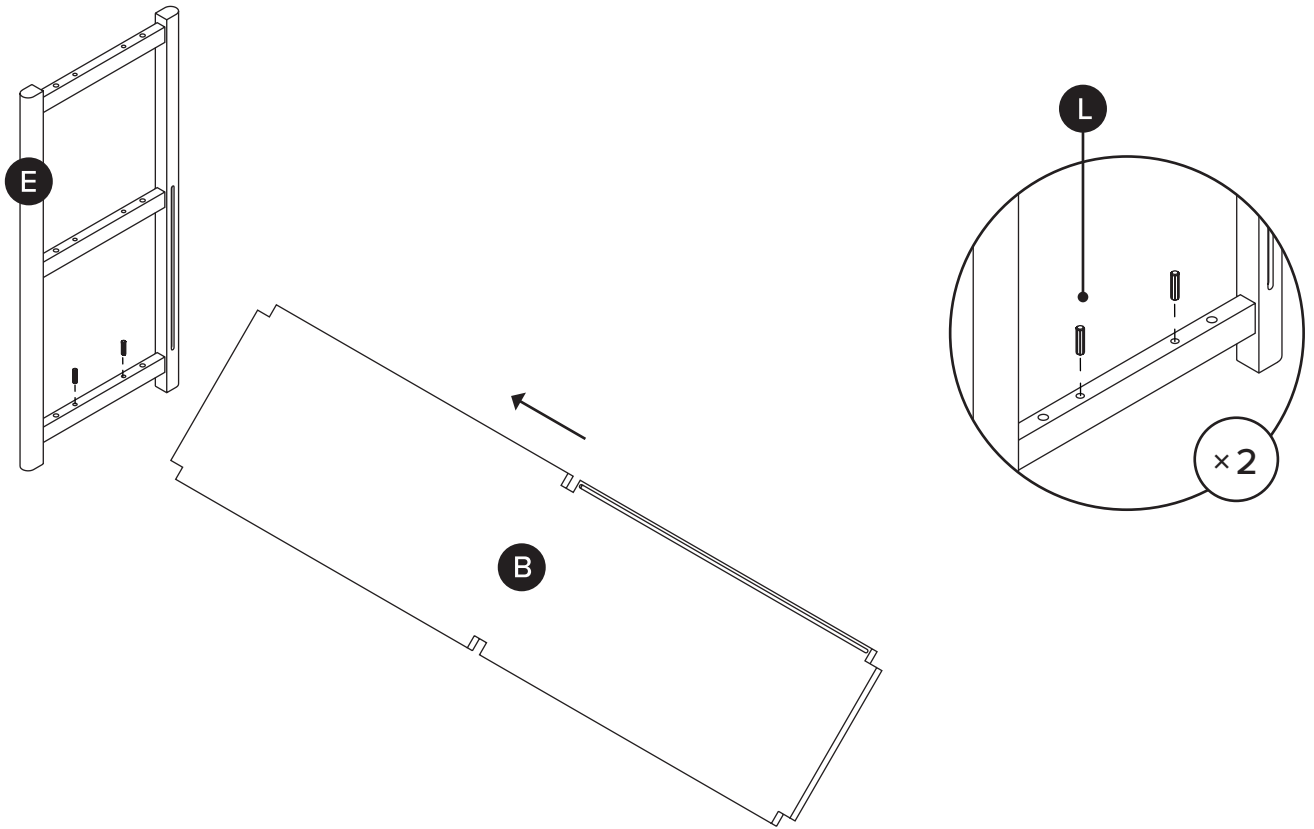
REQUIRED TOOL

PARTS INVENTORY		
ID	DESCRIPTION	QTY
A	TOP PANEL	1
B	CENTER SHELF	1
C	BOTTOM SHELF	1
D	LEFT SIDE PANEL	1
E	CENTER PANEL	1
F	RIGHT SIDE PANEL	1
G	BACK PANEL	2

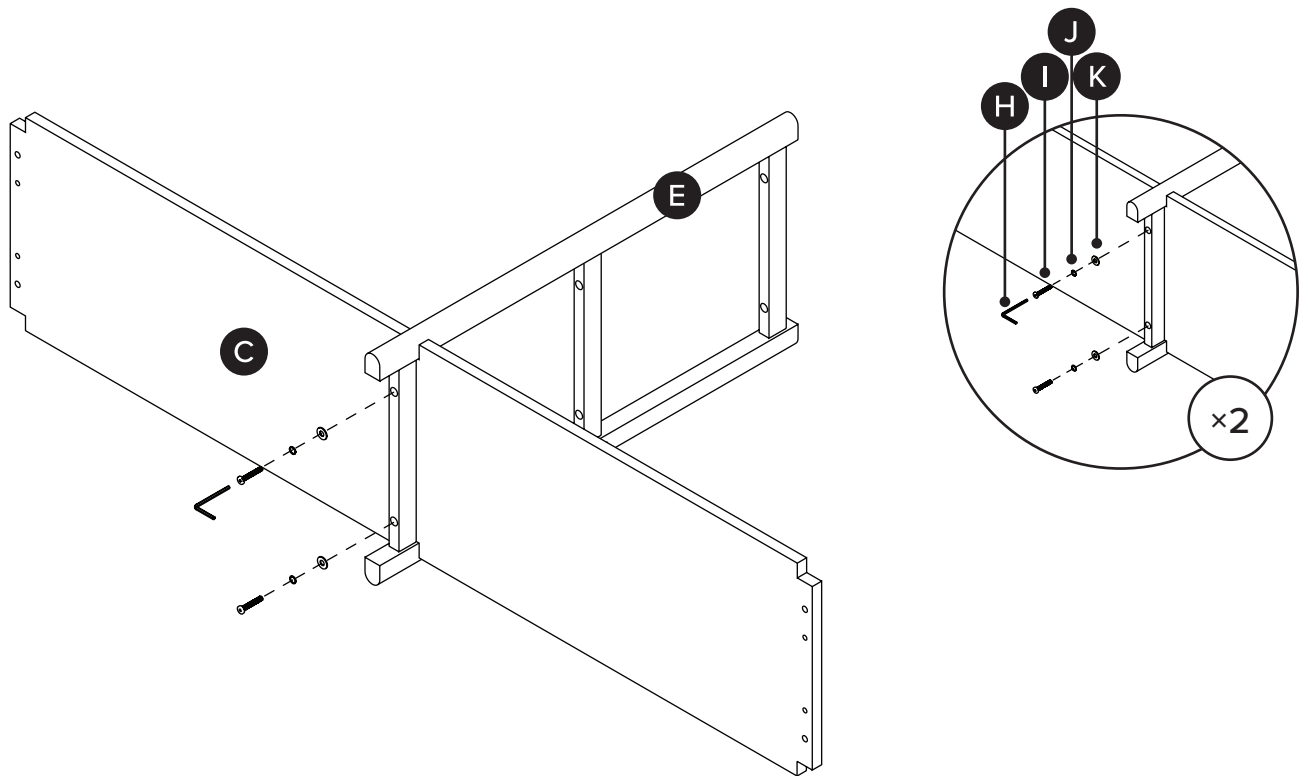
PARTS INVENTORY CONT.		
ID	DESCRIPTION	QTY
H	ALLEN KEY	1
I	M8 x 38MM BOLT	18
J	LOCK WASHER	18
K	WASHER	18
L	WOODEN DOWEL 	18



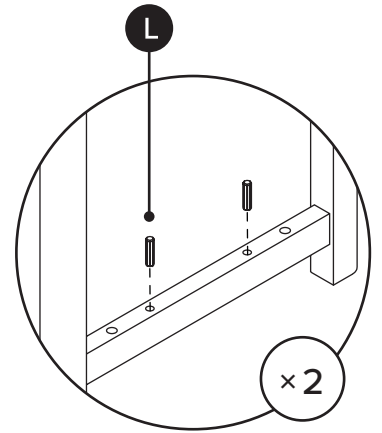
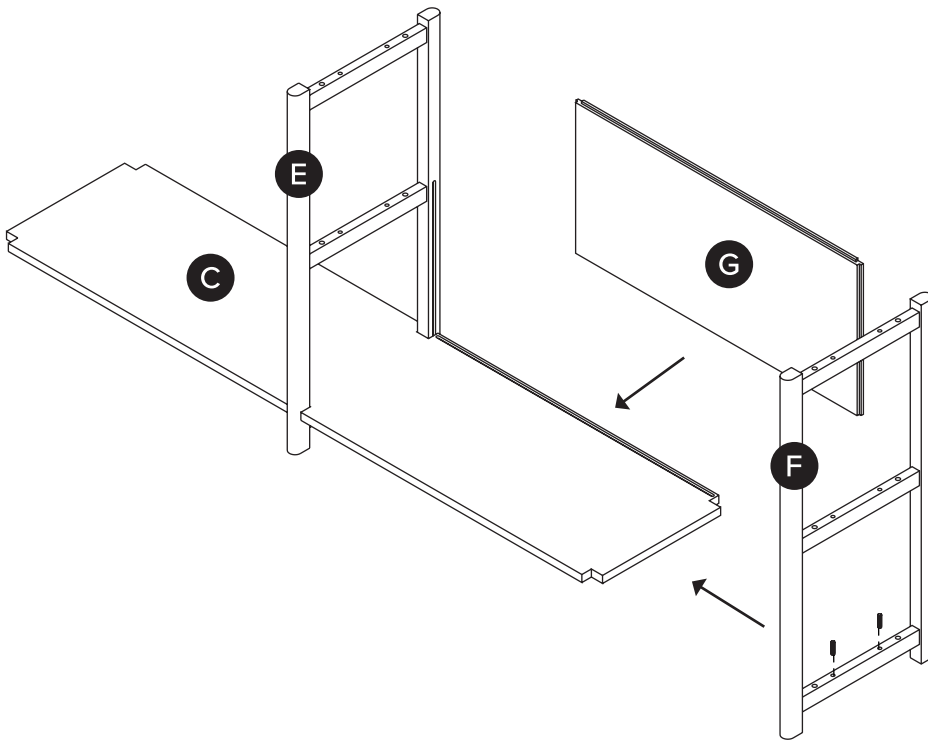
1



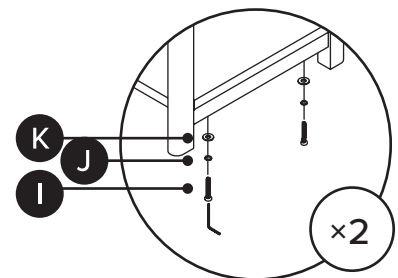
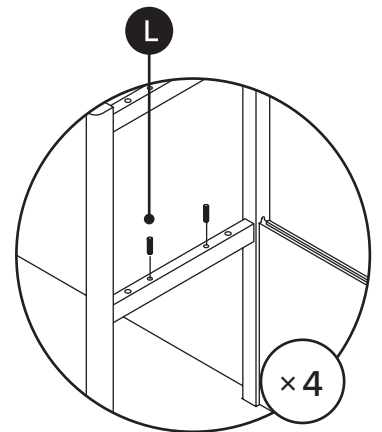
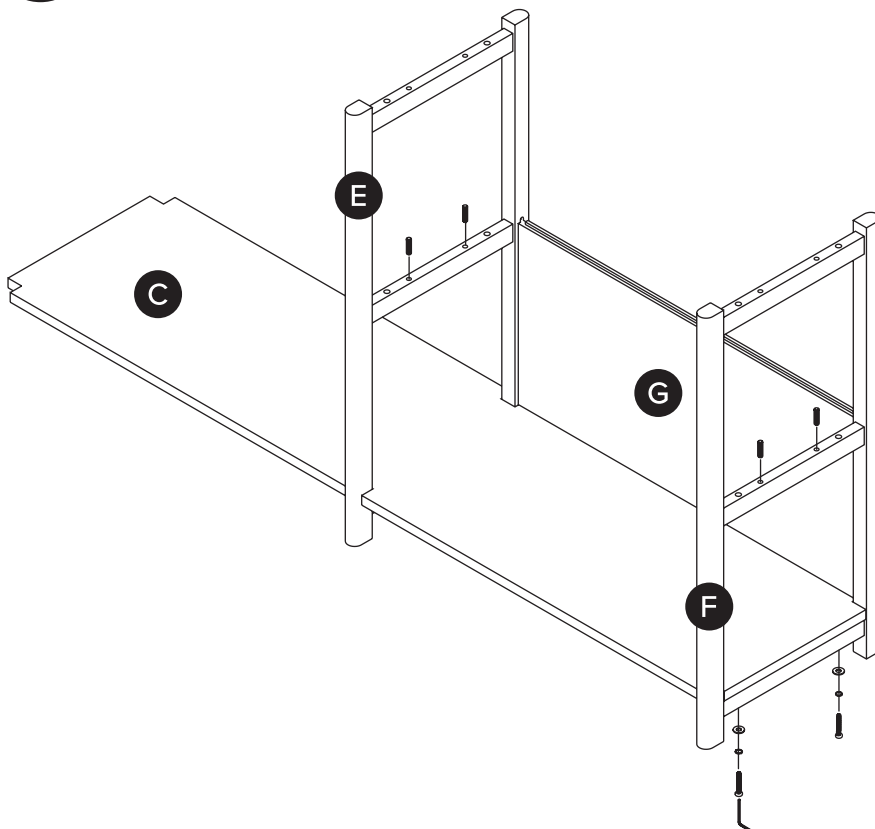
2



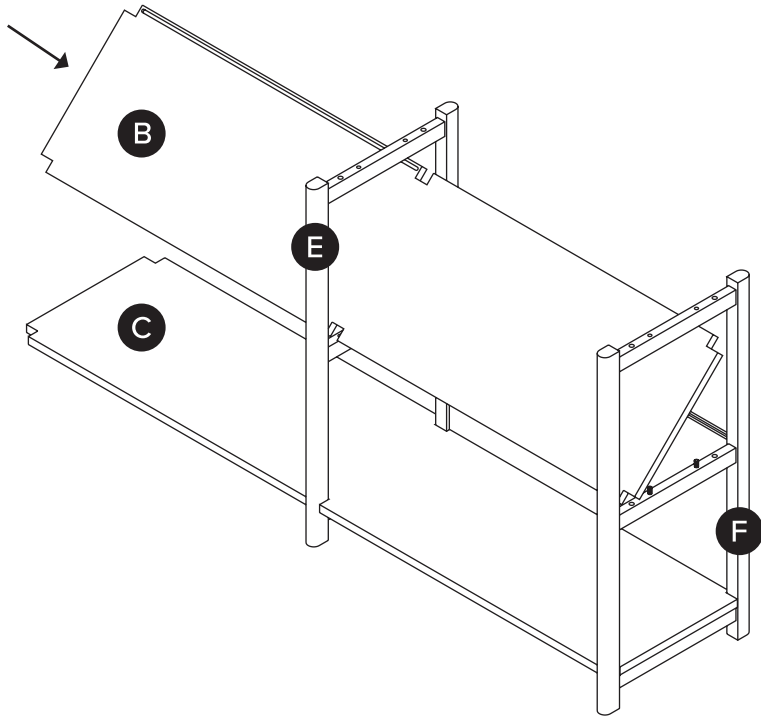
3



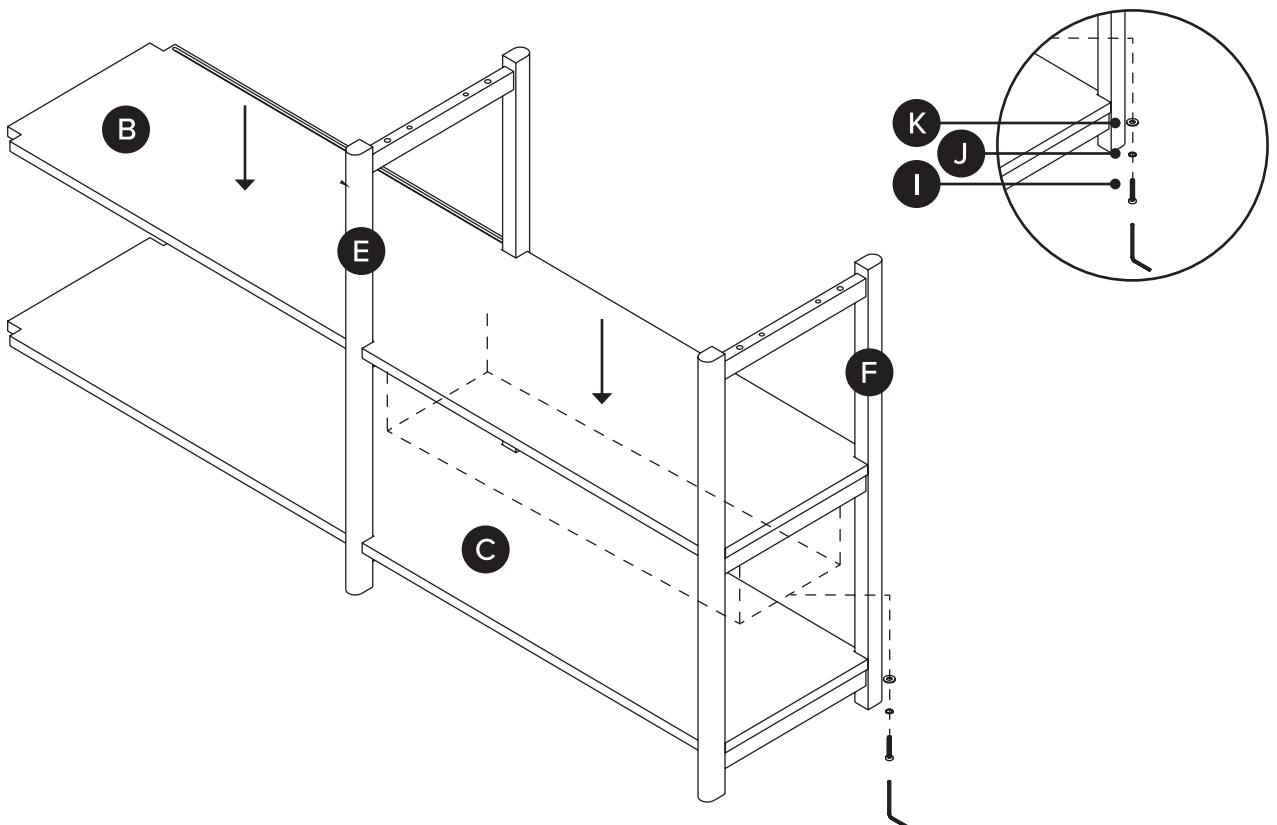
4



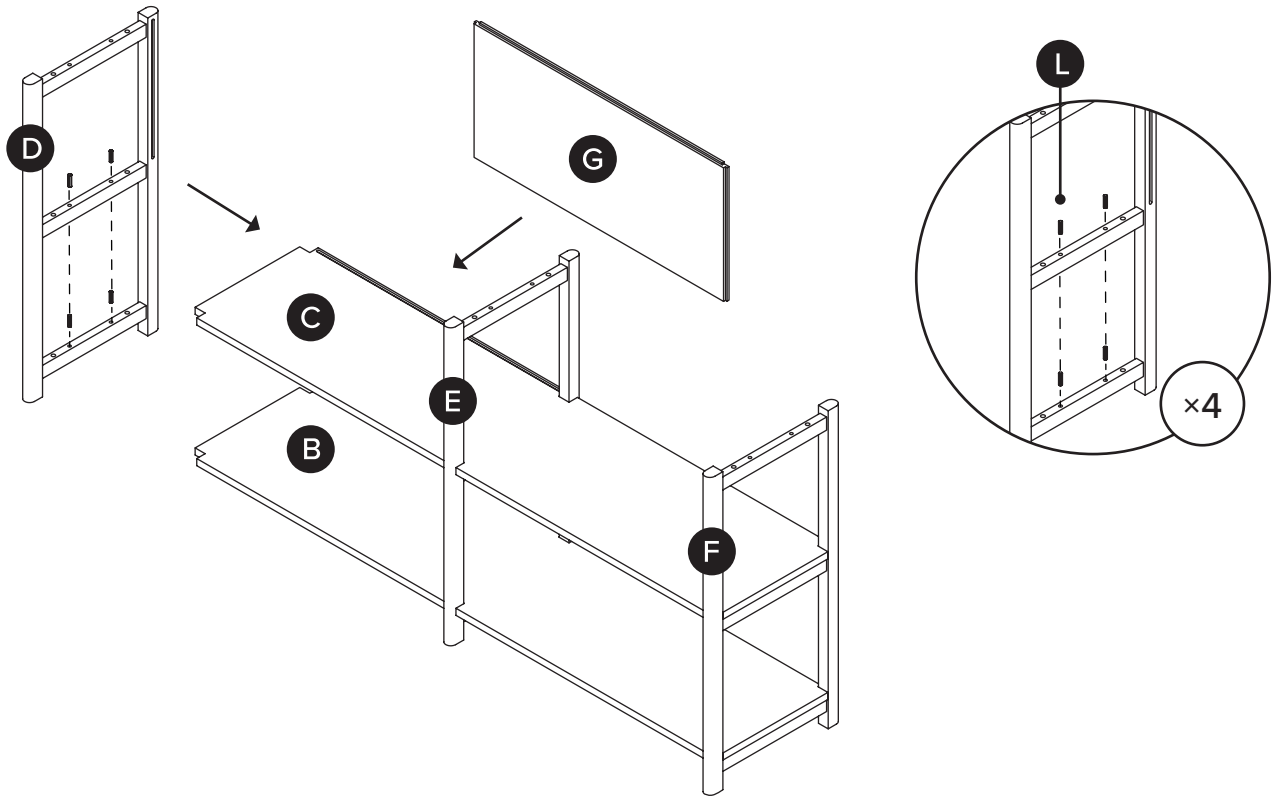
5



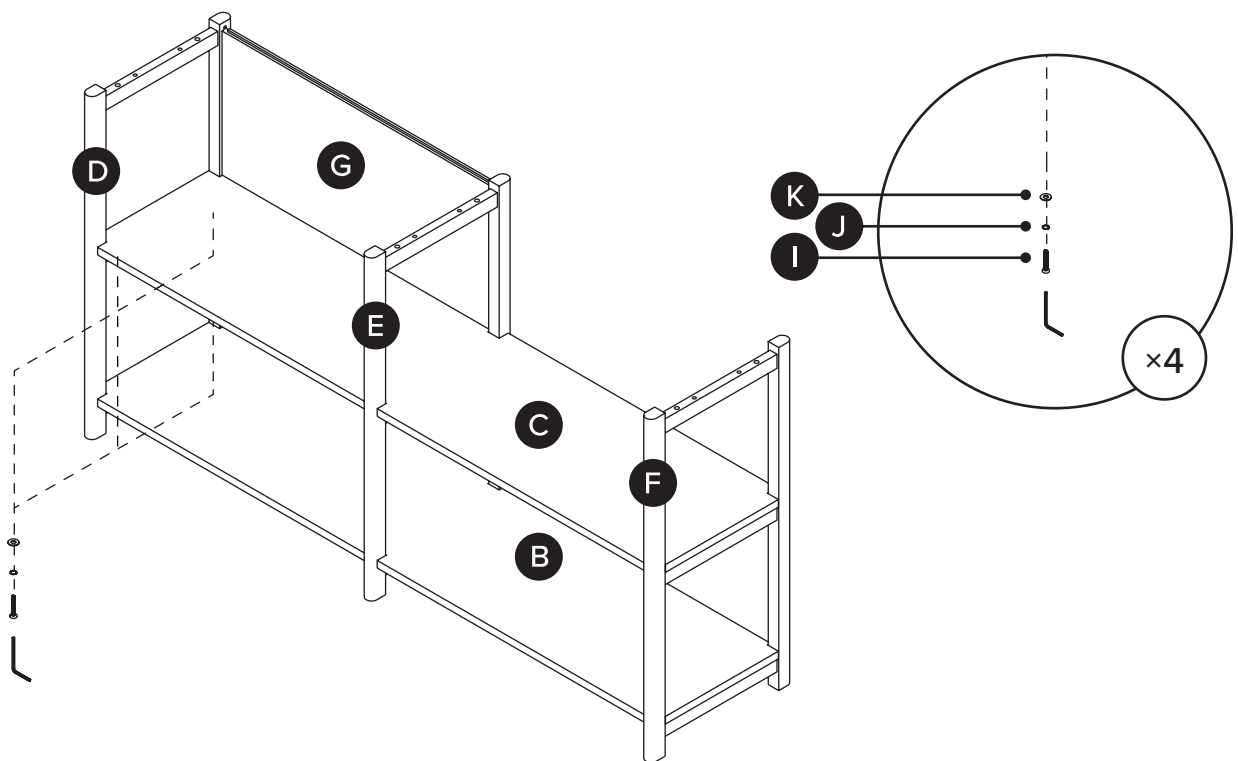
6



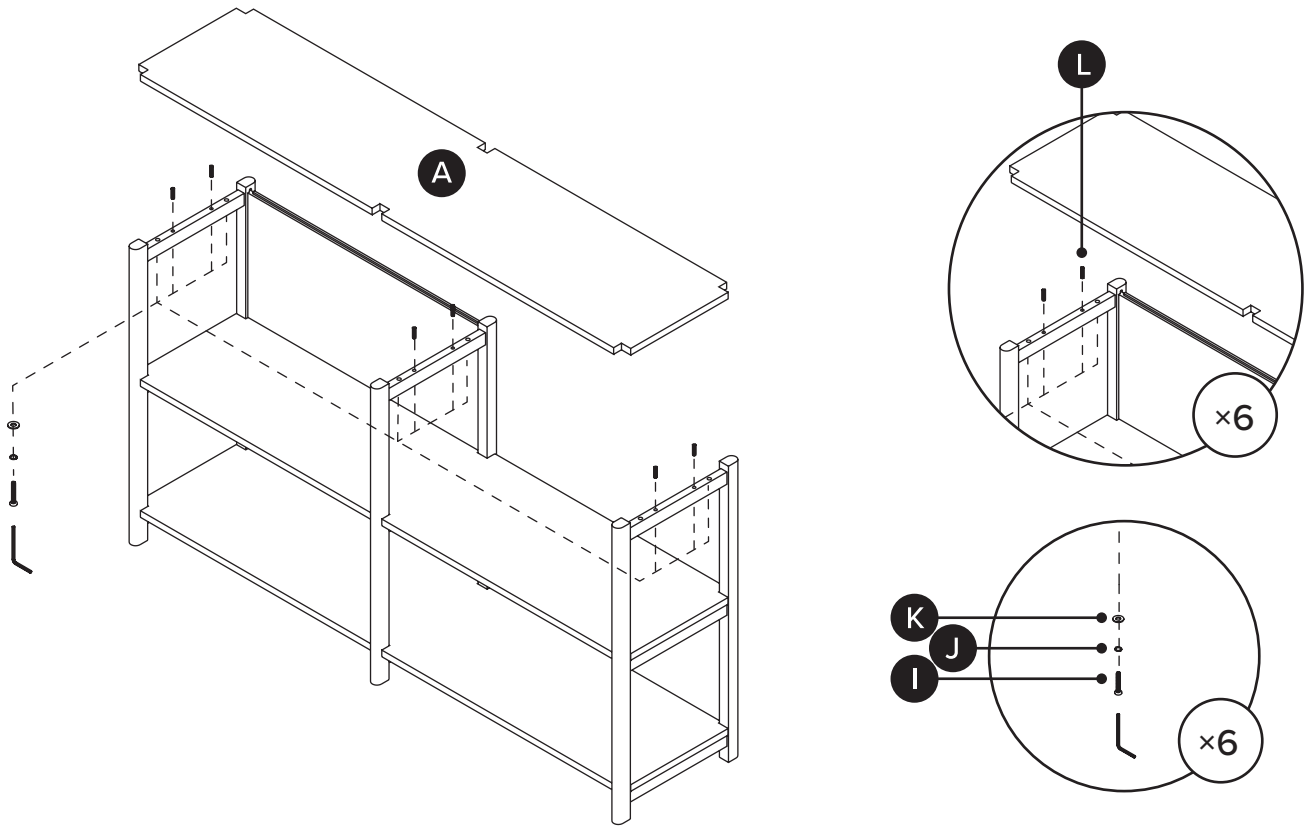
5



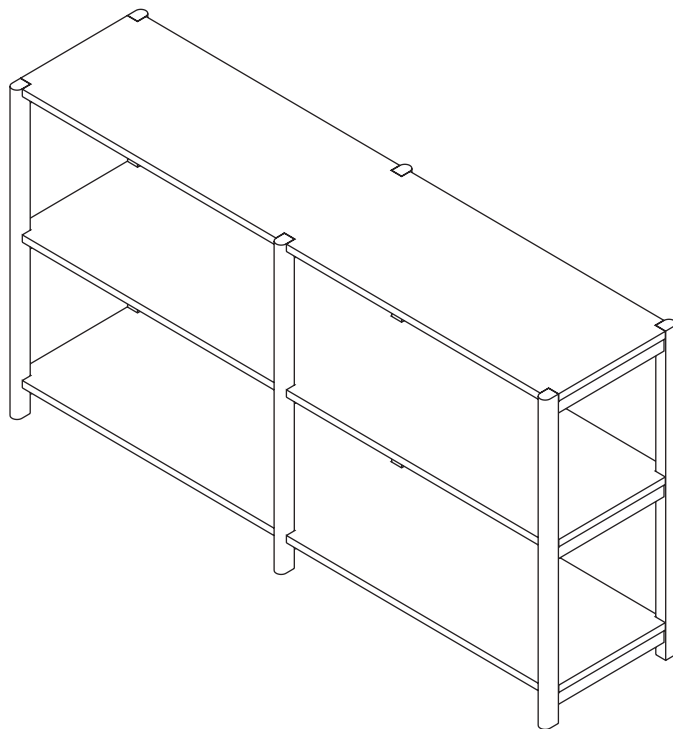
6



7



8



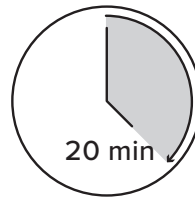


ANTI-TIP RESTRAINT INSTALLATION

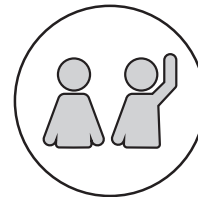
WARNING!

Children have died from furniture tipover.
To reduce the risk of furniture tipover:

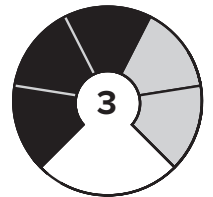
- ALWAYS install tipover restraint provided.
- NEVER put a TV on this product.
- NEVER allow children to stand, climb or hang on drawers, doors, or shelves.
- NEVER open more than one drawer at a time.
- Place heaviest items in the lower drawers.



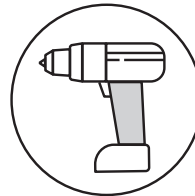
TIME



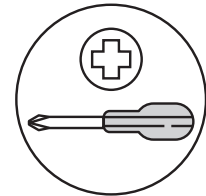
OF PEOPLE



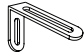

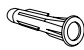


DIFFICULTY



REQUIRED TOOL
8MM / 5/16" DRILL BIT



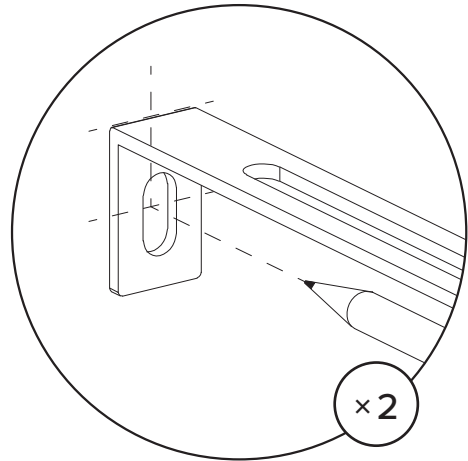
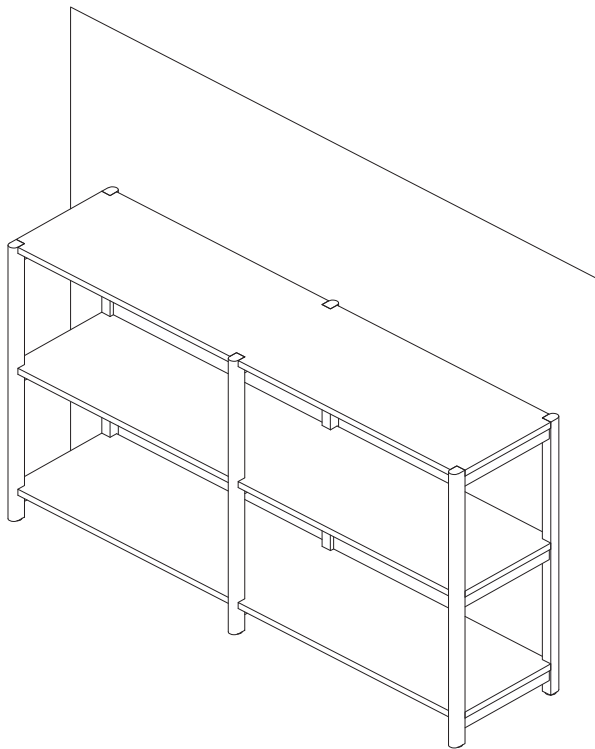
REQUIRED TOOL

PARTS INVENTORY CONT.		
ID	DESCRIPTION	QTY
A	BRACKET 	2
B	M4 × 15MM SCREW 	2
C	M8 × 51MM PLUG 	2
D	M6 × 70MM SCREW 	2
E	WASHER 	2



Hardware (C/D) to attach brackets to wall is designed for drywall. To attach this unit to another type of wall, consult with your local hardware store.

1



Place unit in desired location and mark on wall where holes should be drilled.

2

Drill holes into drywall, and attach unit to wall with appropriate hardware.

