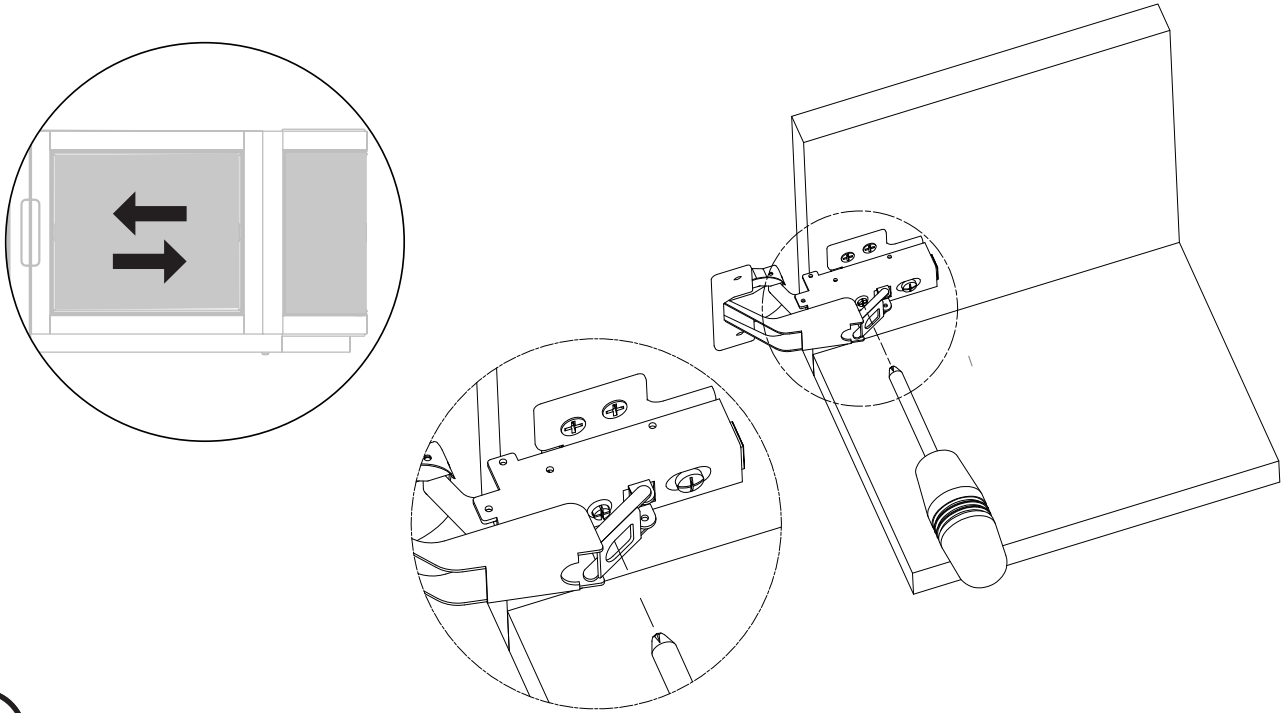




1B

If the door needs adjustment side to side:



1C

If the door needs adjustment forward or backward:

