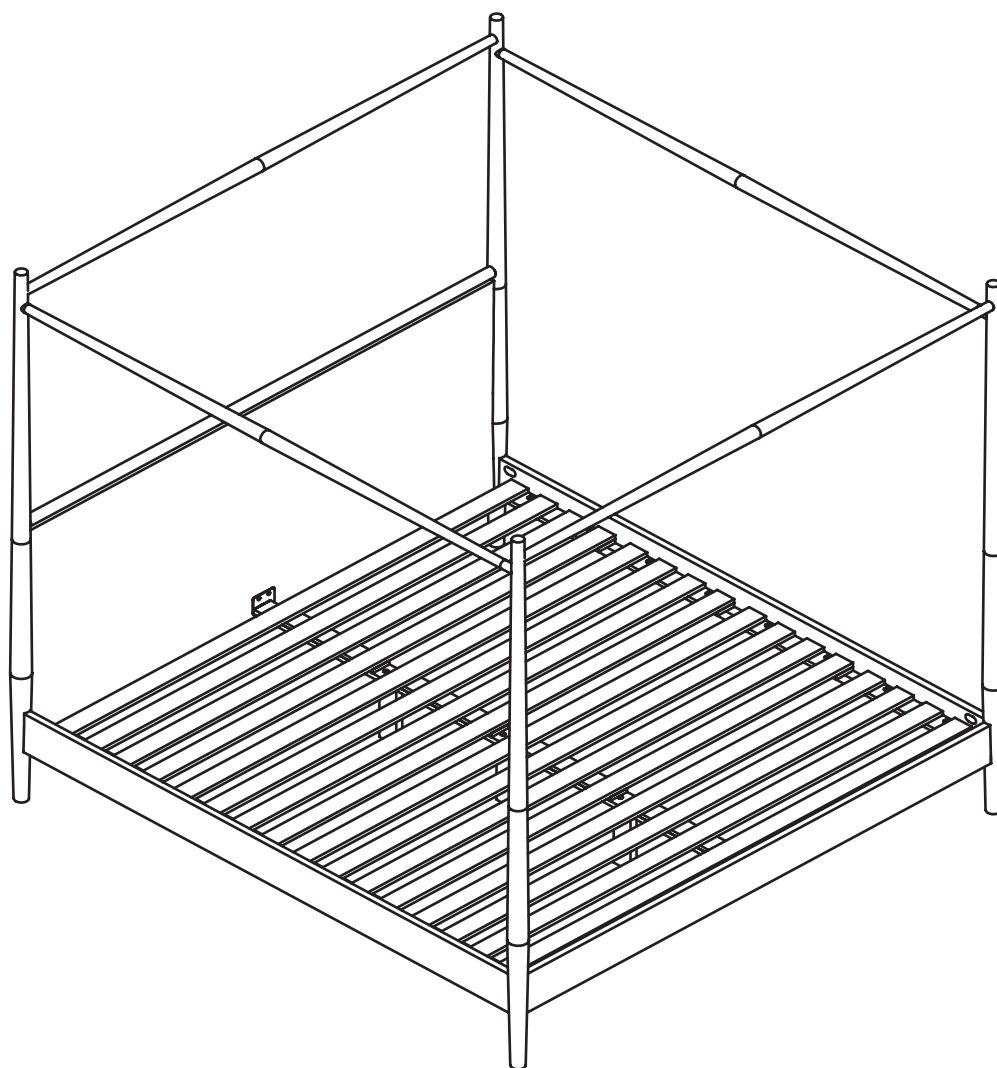


# ARTICLE.

VERSION 1.0

## Assembly Instructions



# LENIA

Canopy Bed

## ASSEMBLY INSTRUCTIONS

Read these instructions carefully and keep for future reference. Refer to parts inventory for guidance, and ensure you have all pieces before starting.

When assembling, place all parts on a soft, clean, and flat surface such as a carpet to prevent scratches.

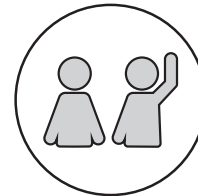
If you're having difficulty, our friendly Customer Care team is always here to help. Call us at **1.888.746.3455** during business hours, email [service@article.com](mailto:service@article.com) or chat live at [article.com](https://www.article.com).



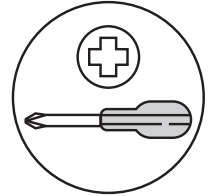
TIME



DIFFICULTY



# OF PEOPLE

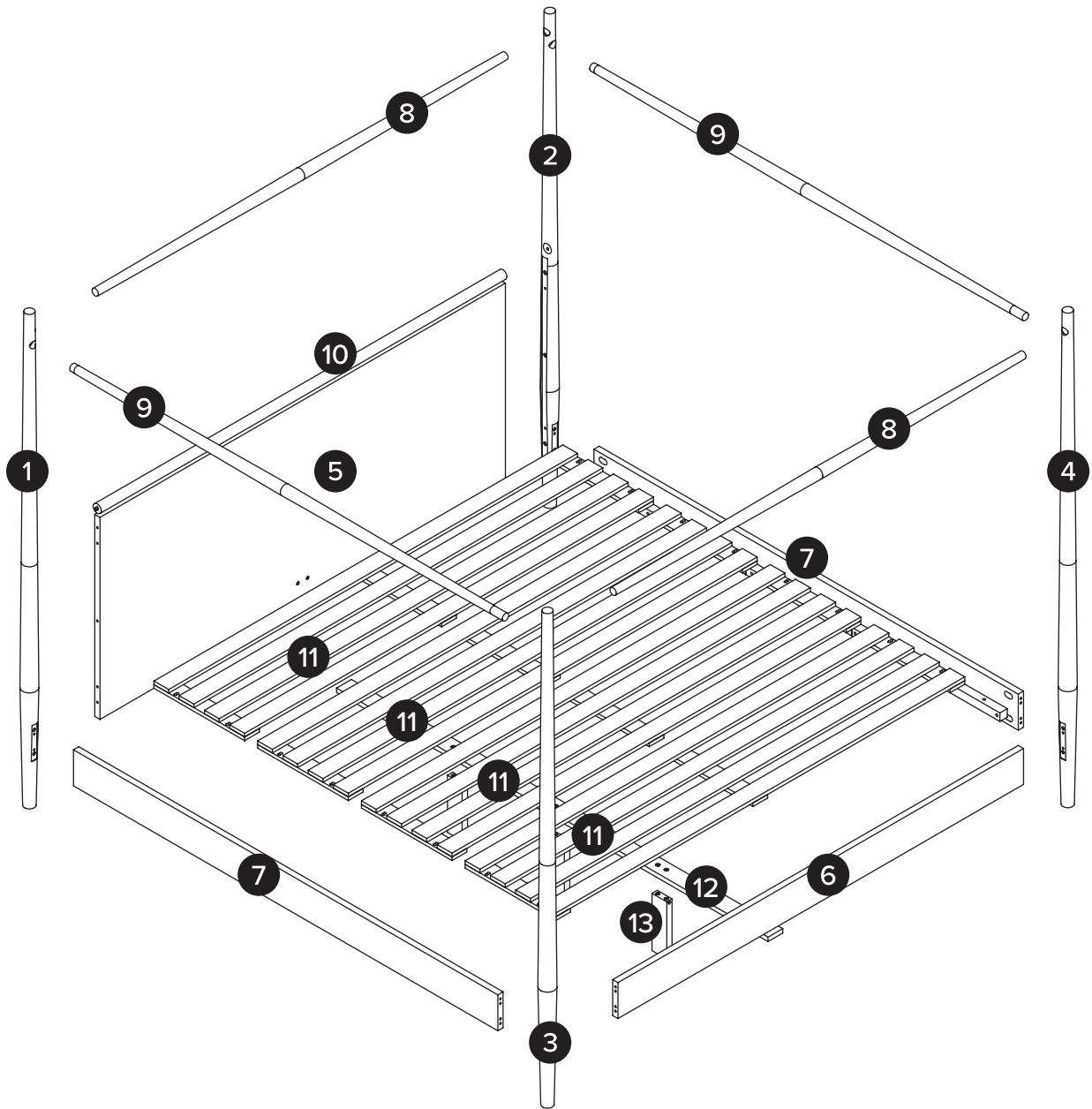


REQUIRED TOOL

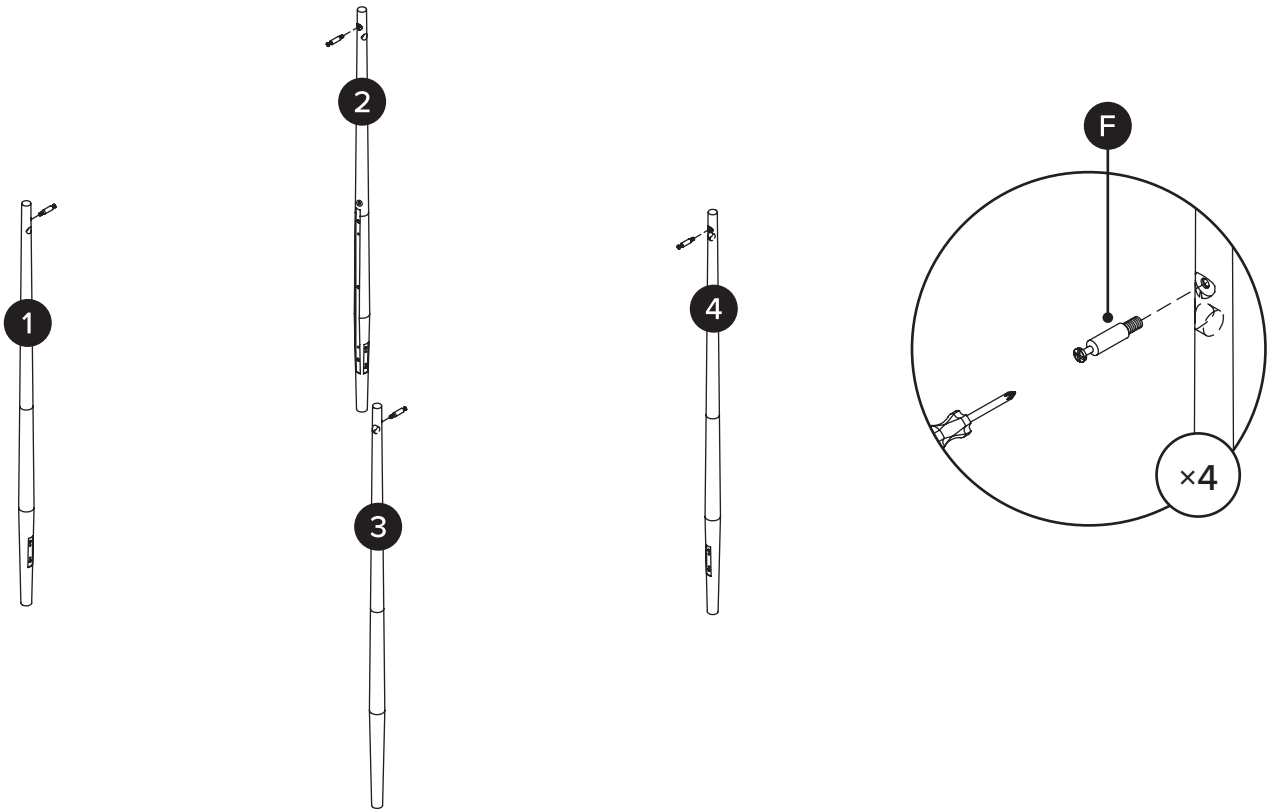
PARTS INVENTORY		
ID	DESCRIPTION	QTY
1	RIGHT LEG	1
2	LEFT LEG	1
3	BOTTOM RIGHT LEG	1
4	BOTTOM LEFT LEG	1
5	HEADBOARD	1
6	FOOTBOARD	1
7	SIDEBOARD	2
8	HEADBOARD / FOOTBOARD TOP FRAME	2
9	SIDEBOARD TOP FRAME	2
10	HEADBOARD FRAME	1
11	SLATS	4
12	CENTER BEAM	1
13	CENTER LEG	3

PARTS INVENTORY CONT.		
ID	DESCRIPTION	QTY
A	ALLEN KEY	1
B	M6 × 30MM BOLT	22
C	M6 × 15MM BOLT	4
D	M8 × 50MM BOLT	18
E	ARCH WASHER	18
F	COMPRESSION FITTING ANCHOR	8
G	CAMLOCK	8
H	M6 LOCK WASHER	20
I	M6 WASHER	20

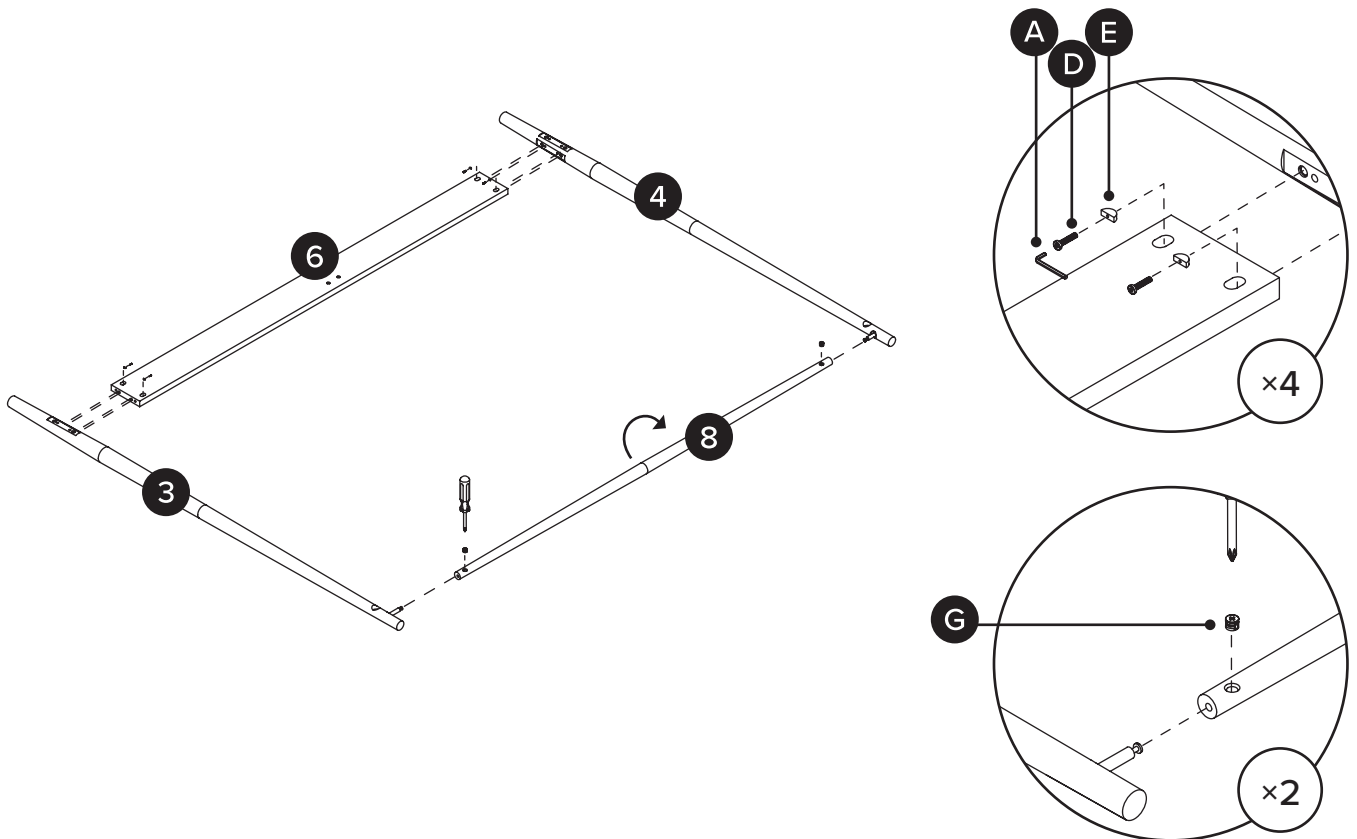
**!** Structural integrity is warranted only if all fasteners are properly installed & tightened, and the bed is moved only per instructions.



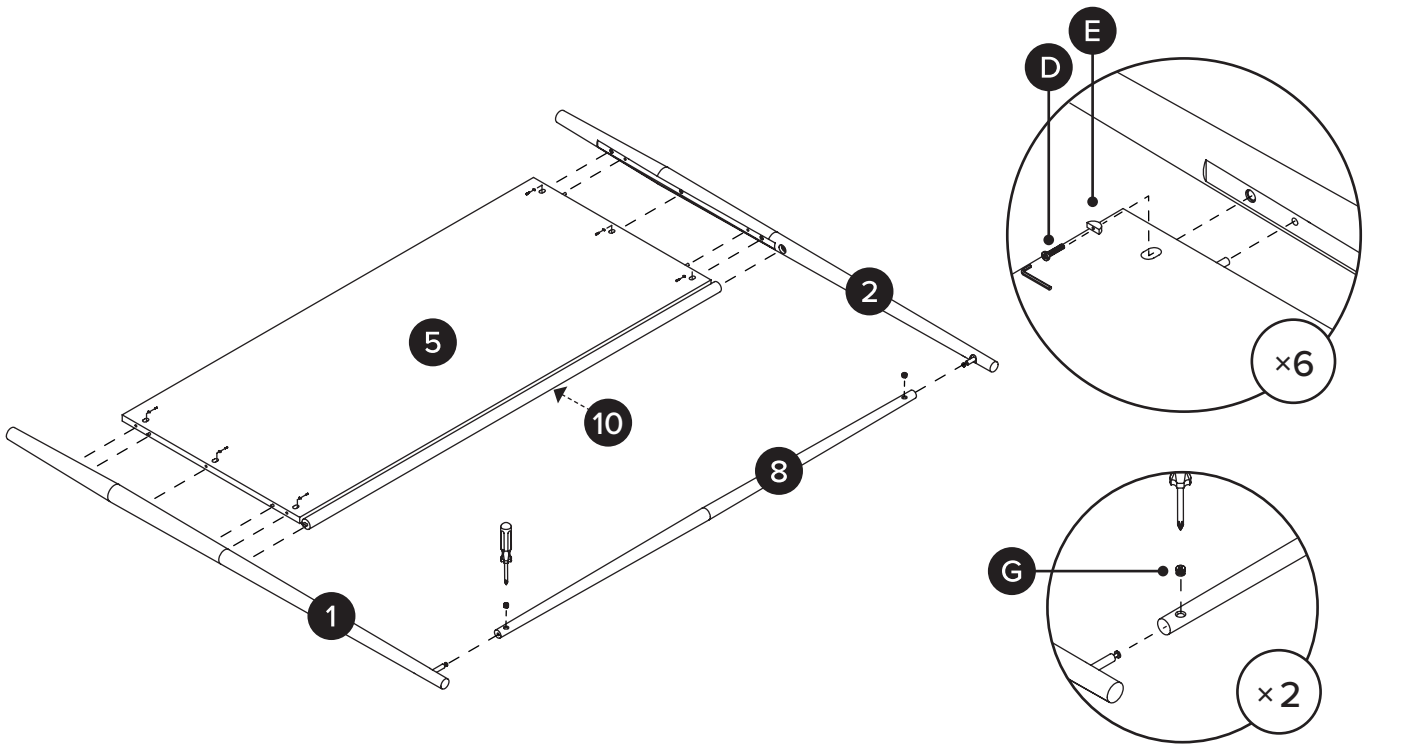
1



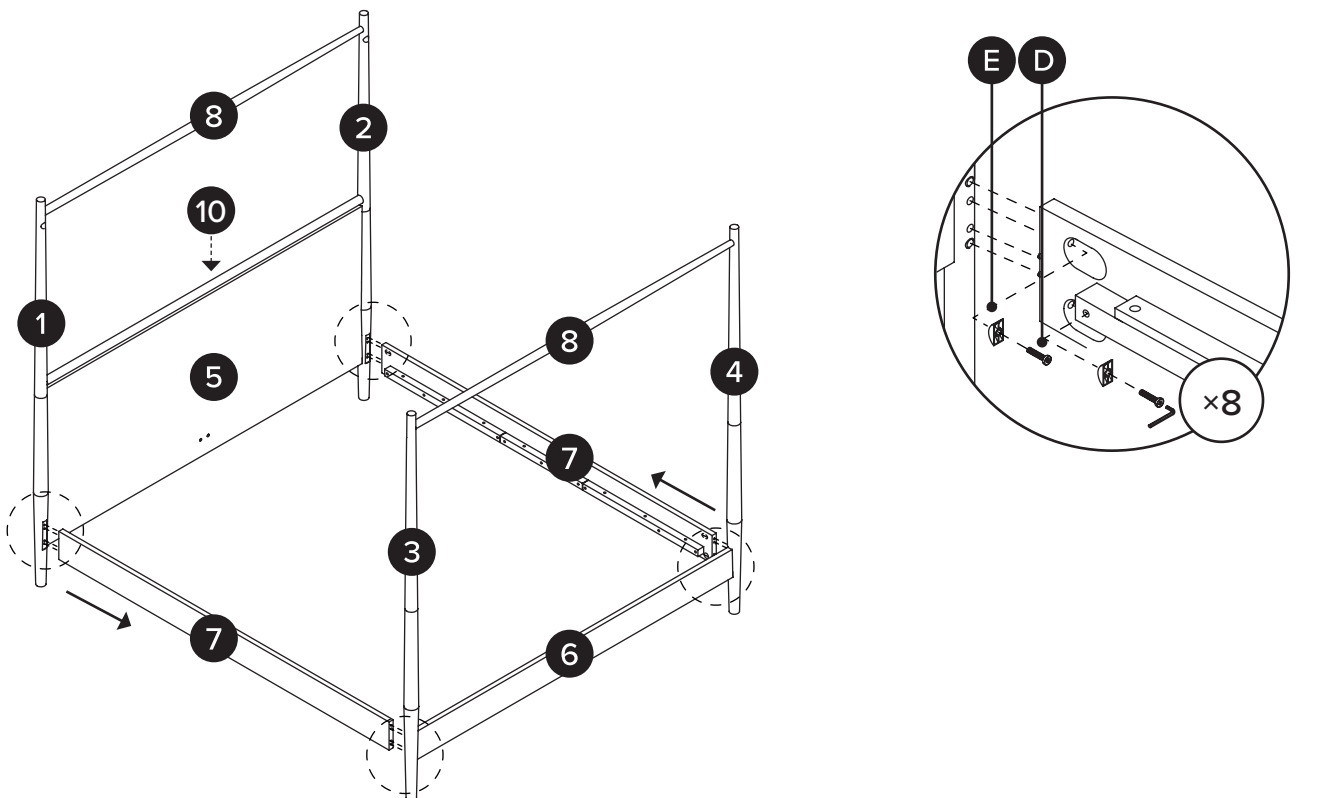
2



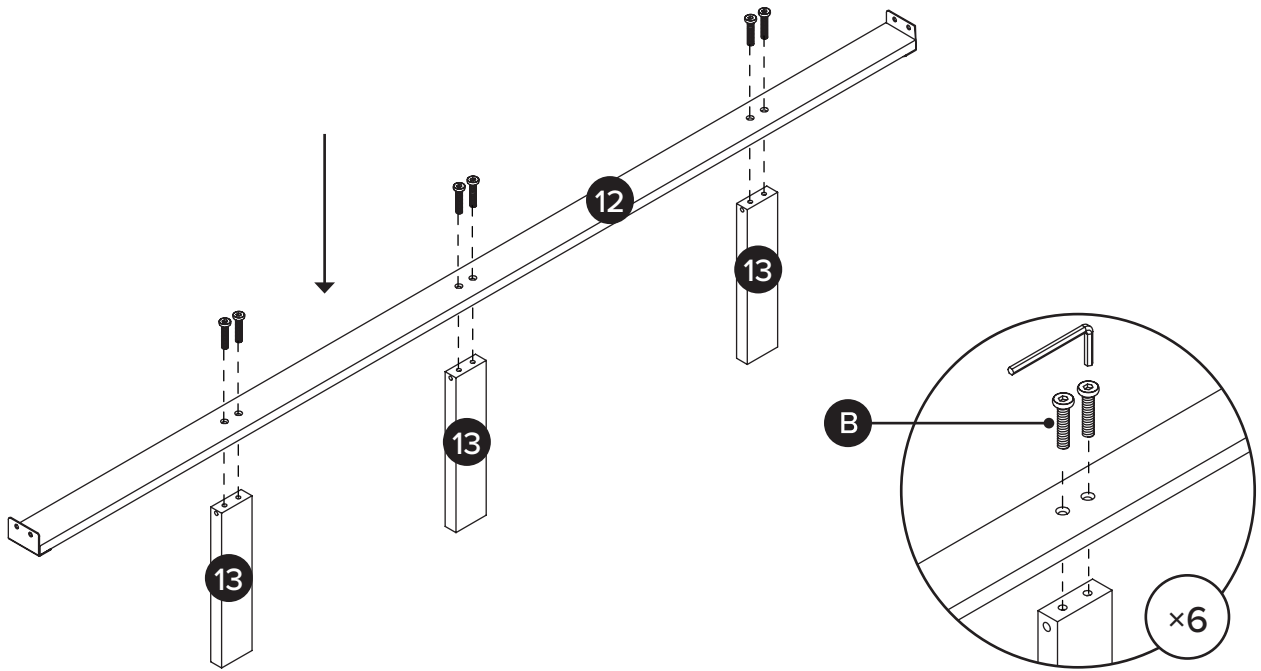
3



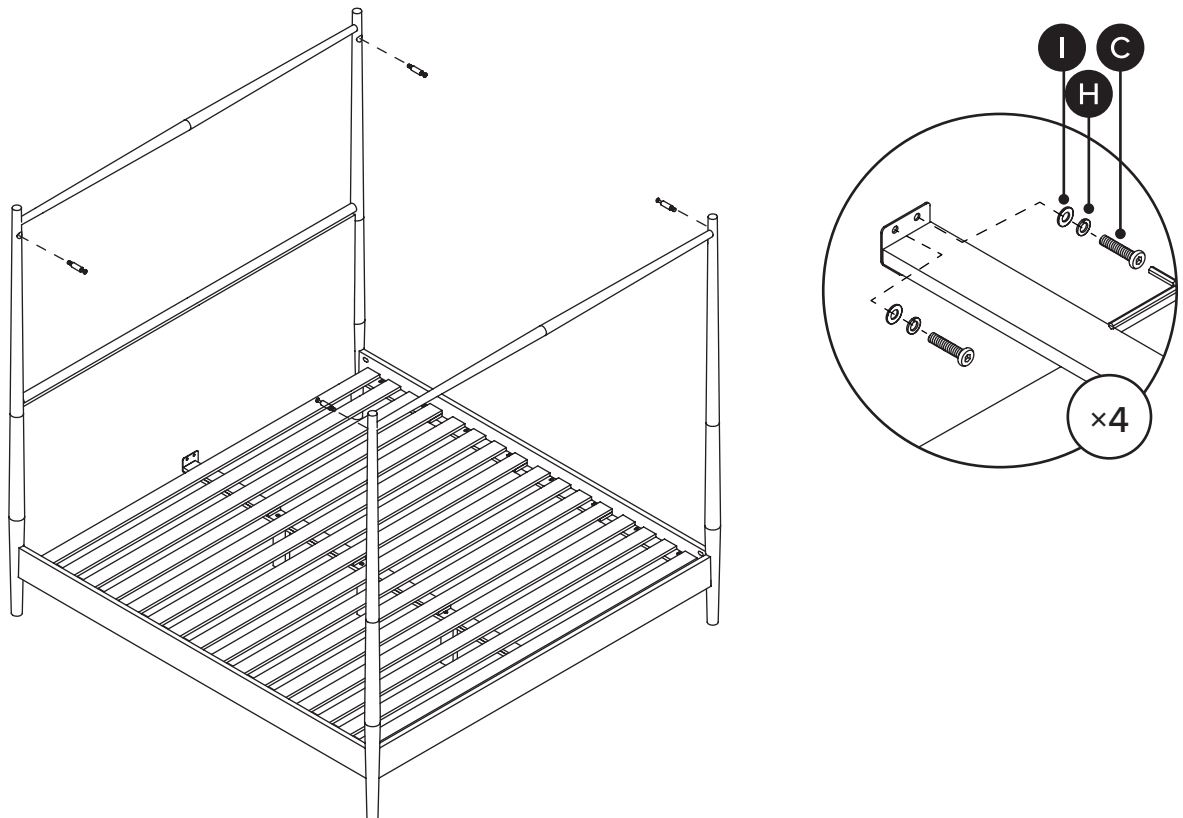
4



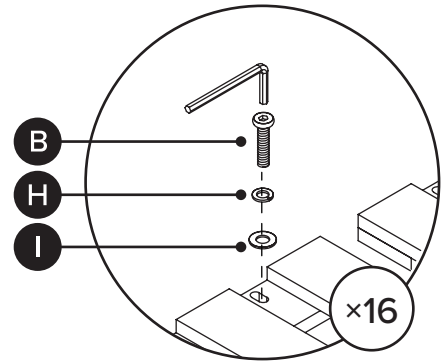
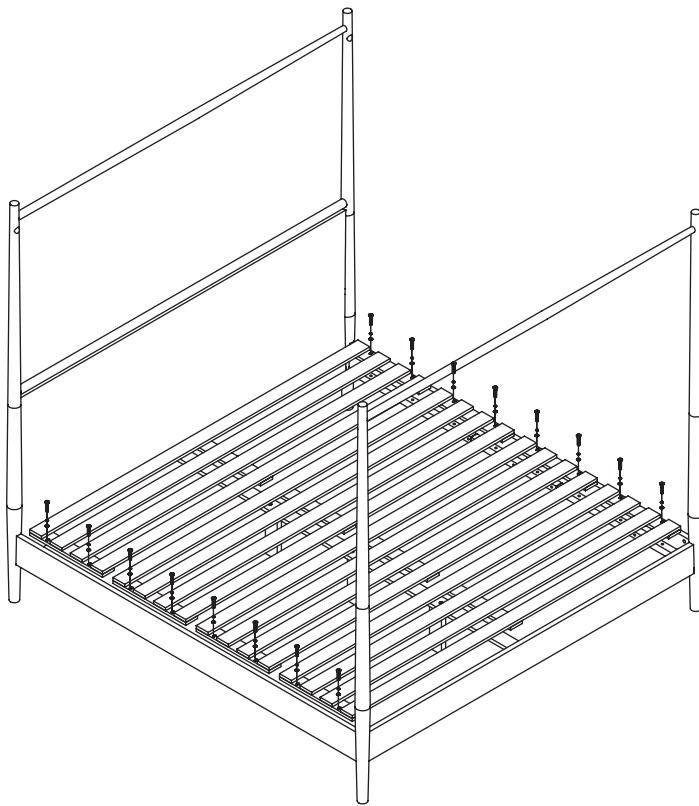
5



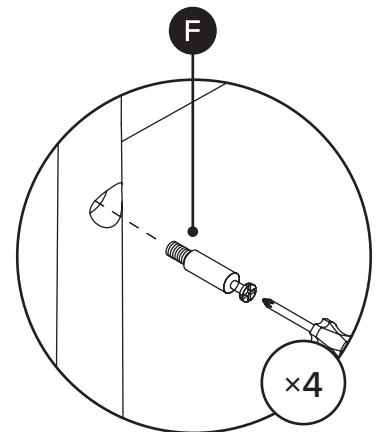
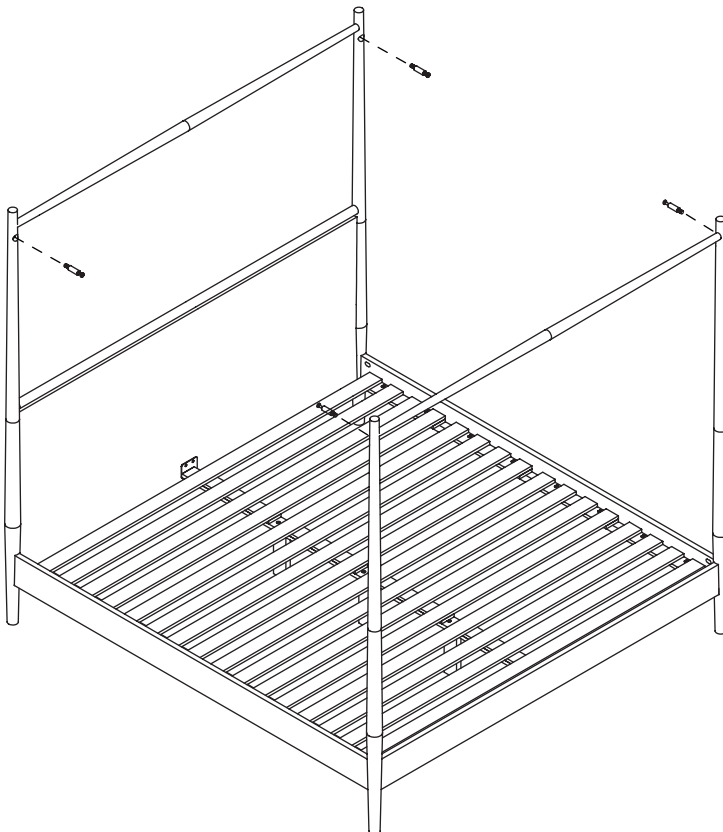
6



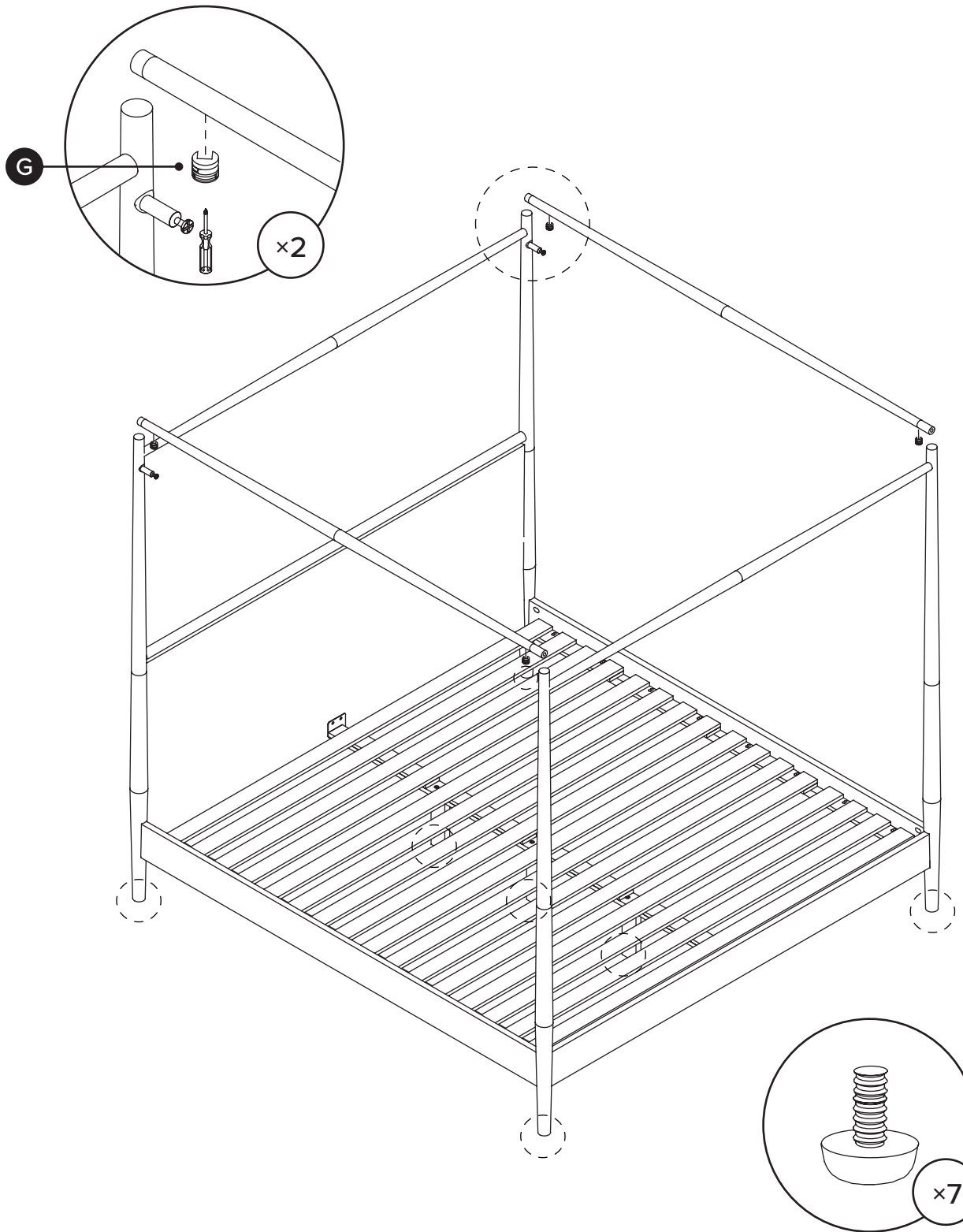
7



8



9



! Adjust leveler for balance.