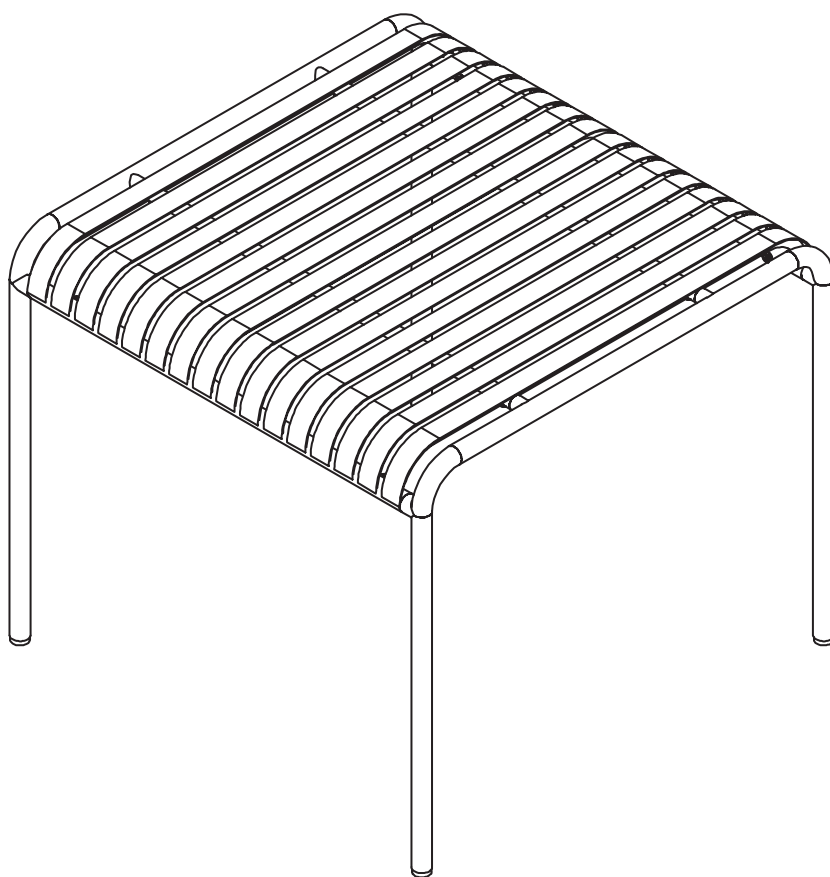


ARTICLE.

VERSION 1.0

Assembly Instructions



SAREK

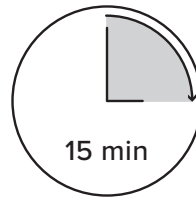
Dining Table For 4

ASSEMBLY INSTRUCTIONS

Read these instructions carefully and keep for future reference. Refer to parts inventory for guidance, and ensure you have all pieces before starting.

When assembling, place all parts on a soft, clean, and flat surface such as a carpet to prevent scratches.

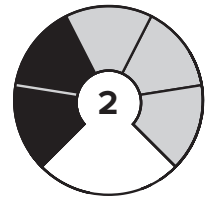
If you're having difficulty, our friendly Customer Care team is always here to help. Call us at **1.888.746.3455** during business hours, email service@article.com or chat live at [article.com](https://www.article.com).







TIME



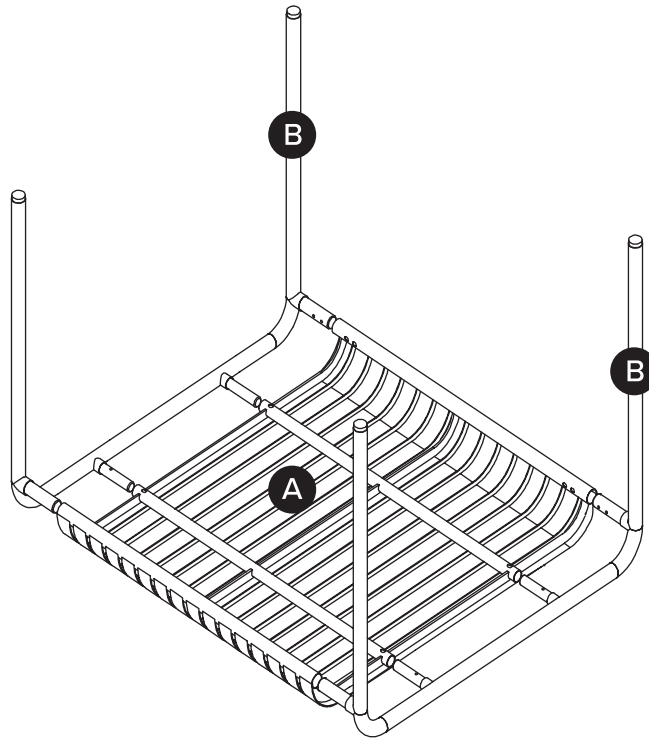
OF PEOPLE



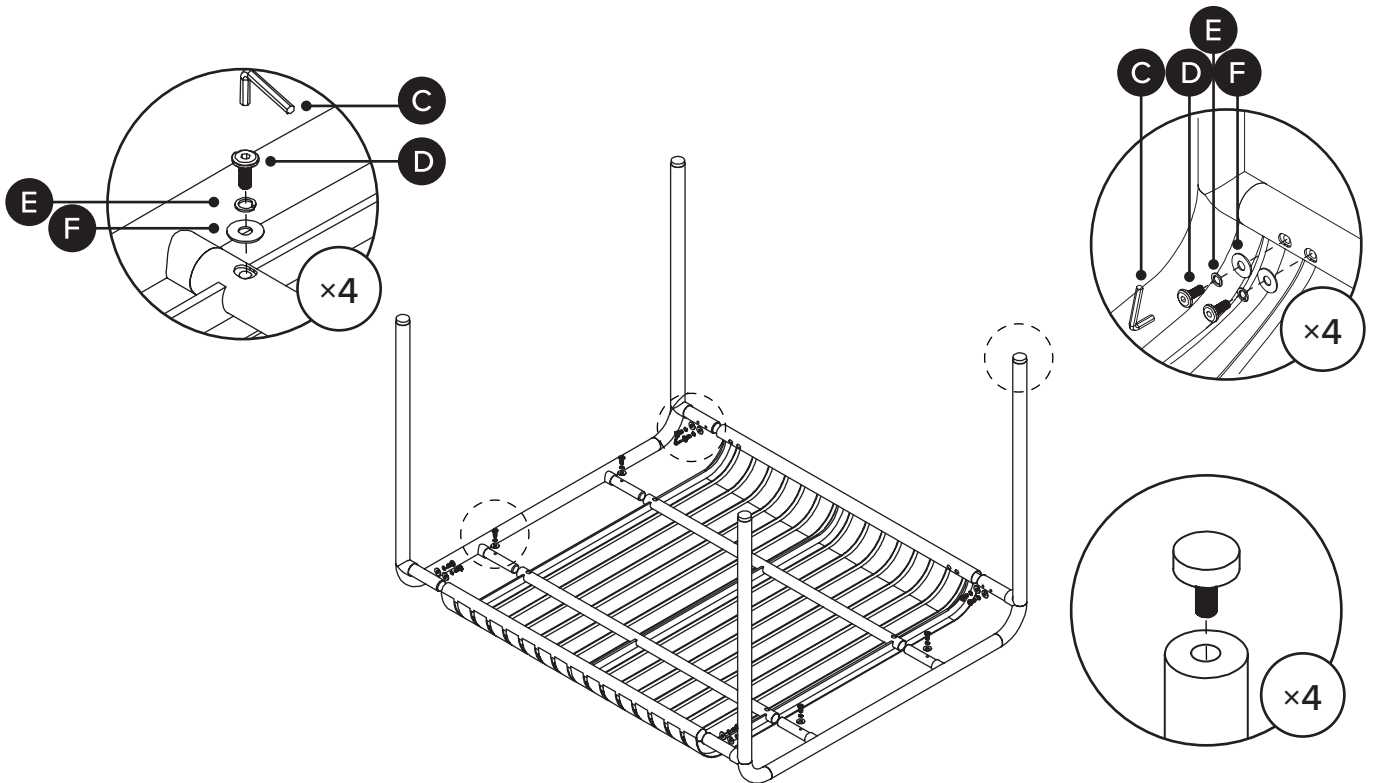
DIFFICULTY

PARTS INVENTORY		
ID	DESCRIPTION	QTY
A	TABLE TOP	1
B	LEG	2
C	ALLEN KEY 	1
D	BOLT 	12
E	LOCK WASHER 	12
F	WASHER 	12

1



2



! Adjust levelers as needed.