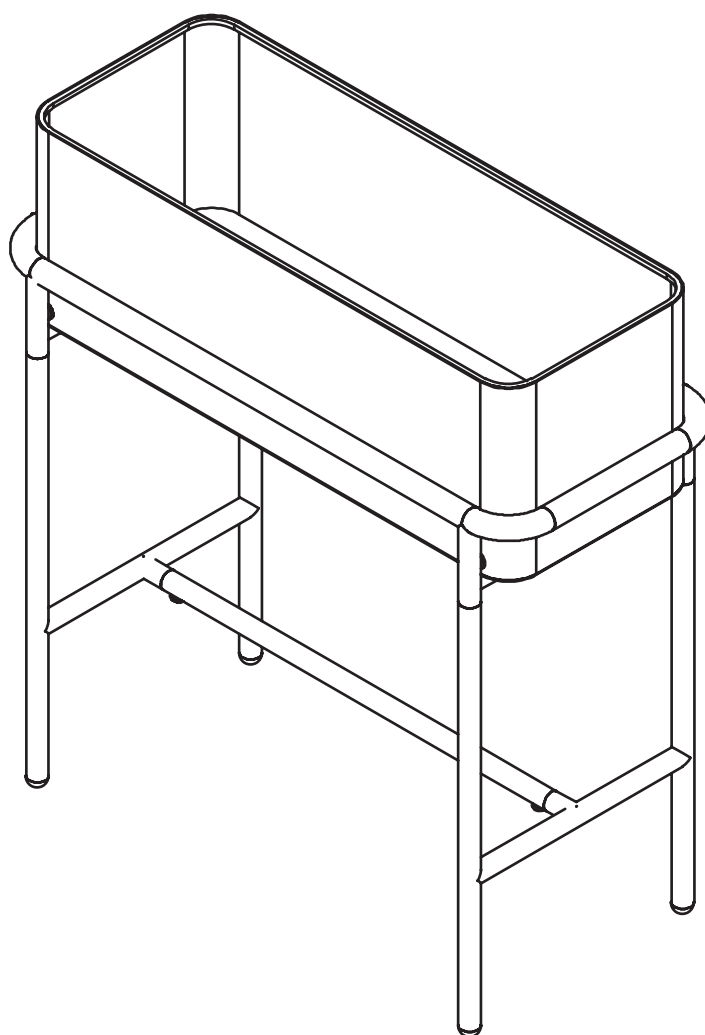


ARTICLE.

VERSION 1.0

Assembly Instructions



MARAIS

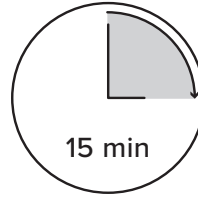
Tall Planter

ASSEMBLY INSTRUCTIONS

Read these instructions carefully and keep for future reference. Refer to parts inventory for guidance, and ensure you have all pieces before starting.

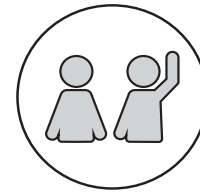
When assembling, place all parts on a soft, clean, and flat surface such as a carpet to prevent scratches.

If you're having difficulty, our friendly Customer Care team is always here to help. Call us at **1.888.746.3455** during business hours, email service@article.com or chat live at [article.com](https://www.article.com).

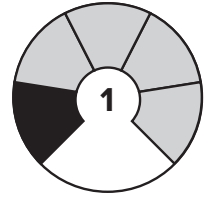


15 min




TIME



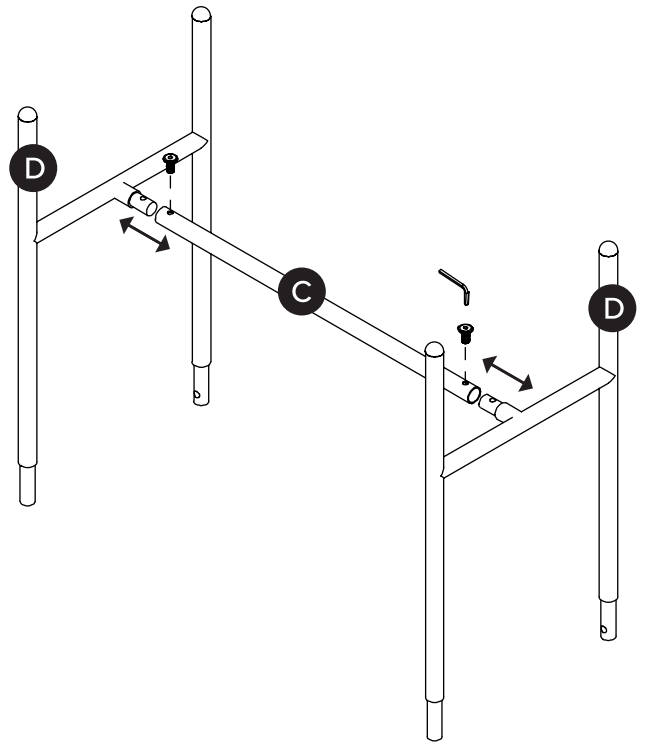
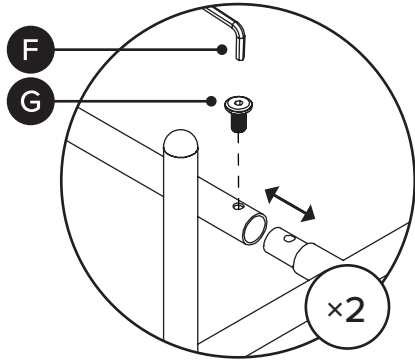
OF PEOPLE



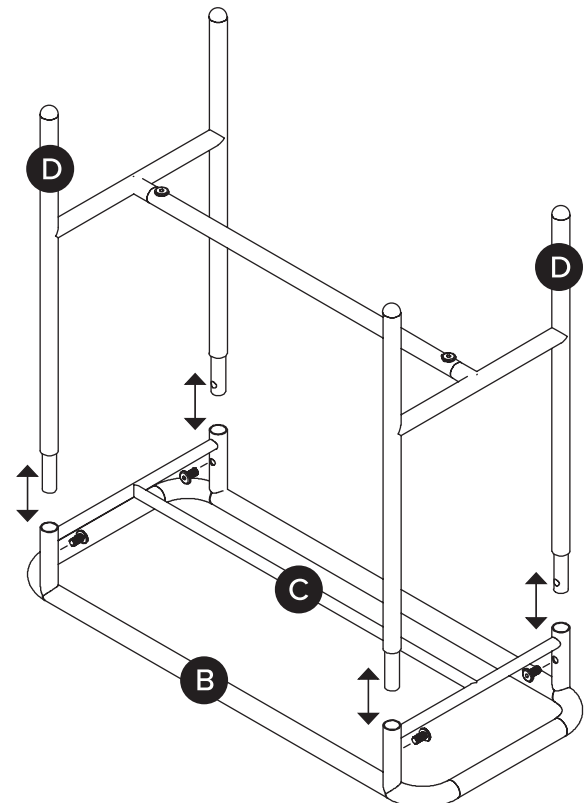
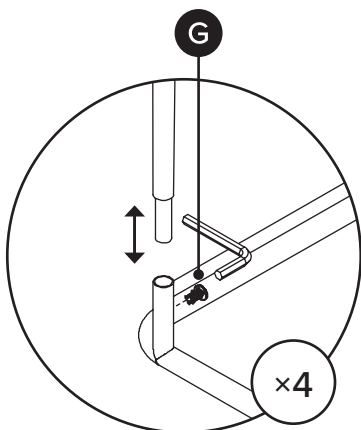
DIFFICULTY

PARTS INVENTORY		
ID	DESCRIPTION	QTY
A	CONTAINER	1
B	FRAME	1
C	CROSS BAR	1
D	LEG	2
E	PLASTIC BUTTON 	4
F	ALLEN KEY 	1
G	M6 × 10MM BOLT 	6

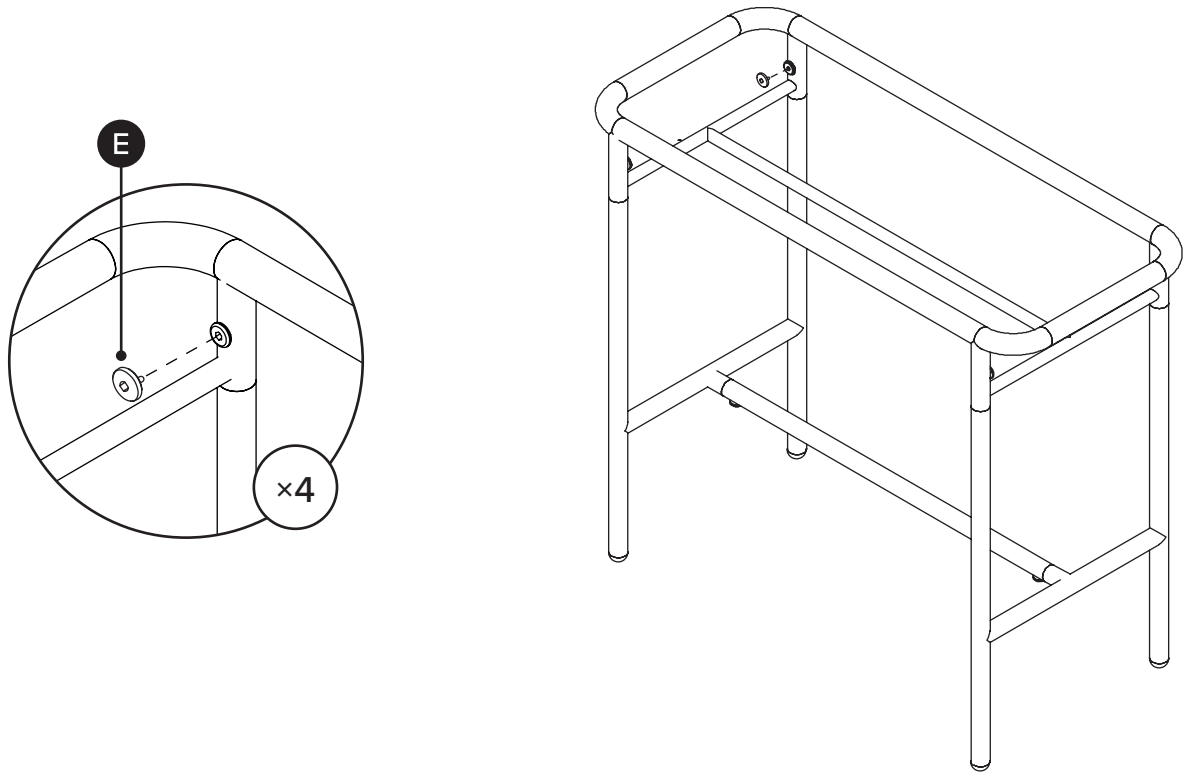
1



2



3



4

