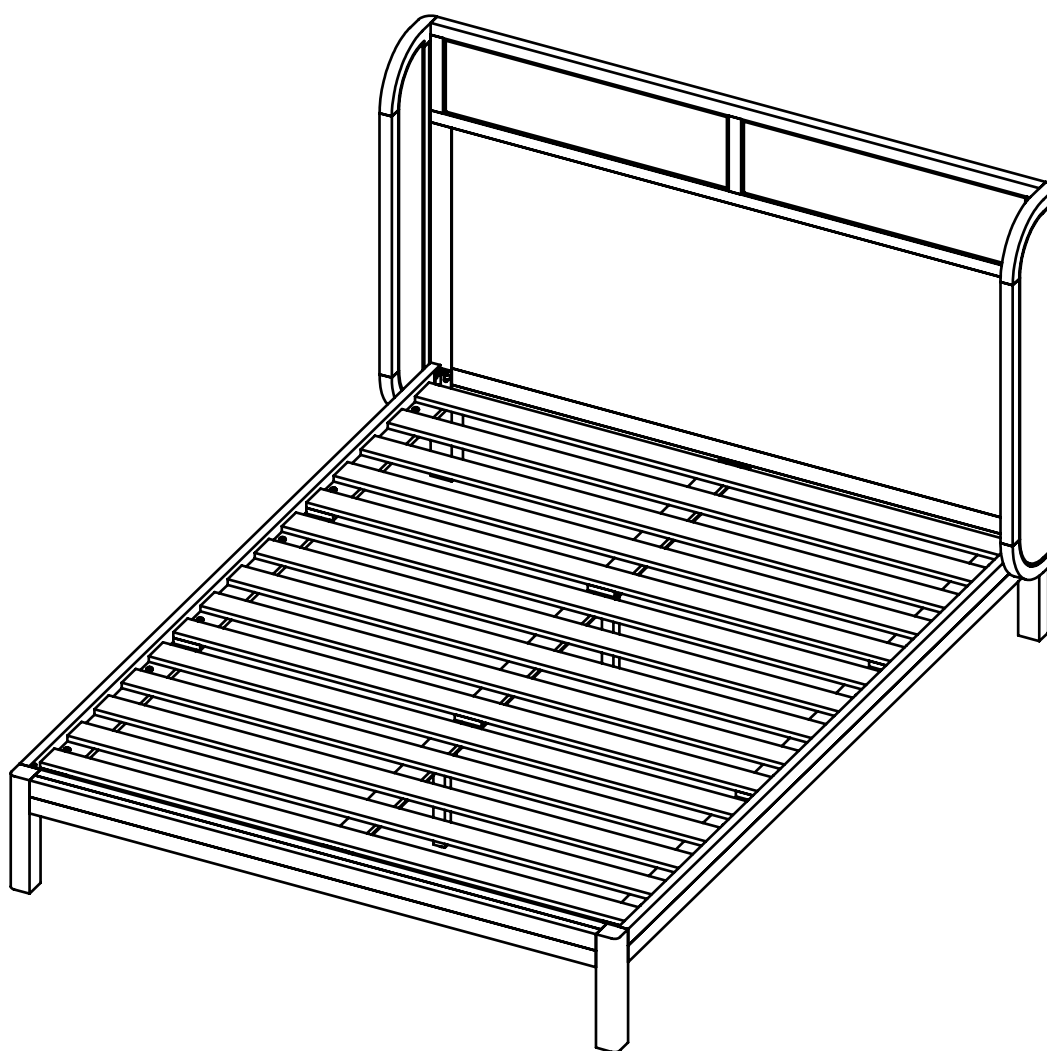


# ARTICLE.

VERSION 1.0

## Assembly Instructions



# CANDRA

Bed

## ASSEMBLY INSTRUCTIONS

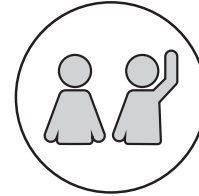
Read these instructions carefully and keep for future reference. Refer to parts inventory for guidance, and ensure you have all pieces before starting.

When assembling, place all parts on a soft, clean, and flat surface such as a carpet to prevent scratches.

If you're having difficulty, our friendly Customer Care team is always here to help. Call us at **1.888.746.3455** during business hours, email [service@article.com](mailto:service@article.com) or chat live at [article.com](https://www.article.com).



TIME


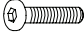


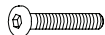



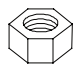

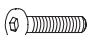


# OF PEOPLE



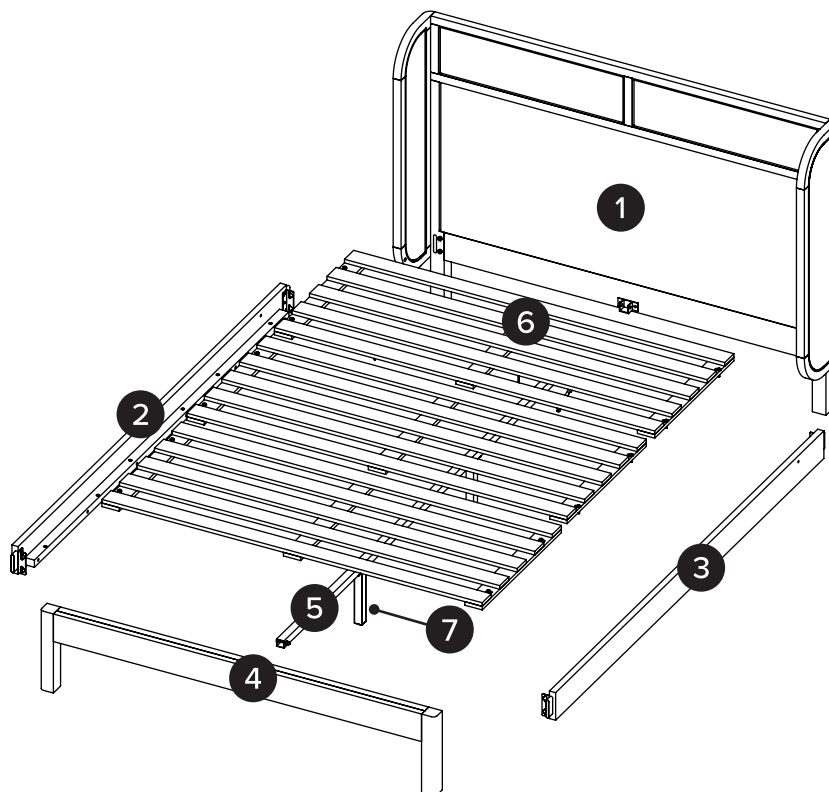
DIFFICULTY

PARTS INVENTORY		
ID	DESCRIPTION	QTY
1	HEADBOARD	1
2	RIGHT SIDE FRAME	1
3	LEFT SIDE FRAME	1
4	FOOTBOARD	1
5	CENTER FRAME	1
6	SLATS	3
7	LEGS	2

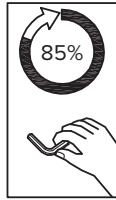
PARTS INVENTORY CONT.		
ID	DESCRIPTION	QTY
A	ALLEN KEY 	1
B	M8 × 30MM BOLT 	8
C	M8 LOCK WASHER 	8
D	M8 WASHER 	8
E	M6 × 40MM BOLT 	14
F	M6 × 50MM BOLT 	2
G	M6 LOCK WASHER 	20
H	M6 WASHER 	20
I	M6 NUT 	2
J	SPANNER 	1
K	M6 × 20MM BOLT 	4



! Structural integrity is only guaranteed if all bolts are installed and properly tightened.



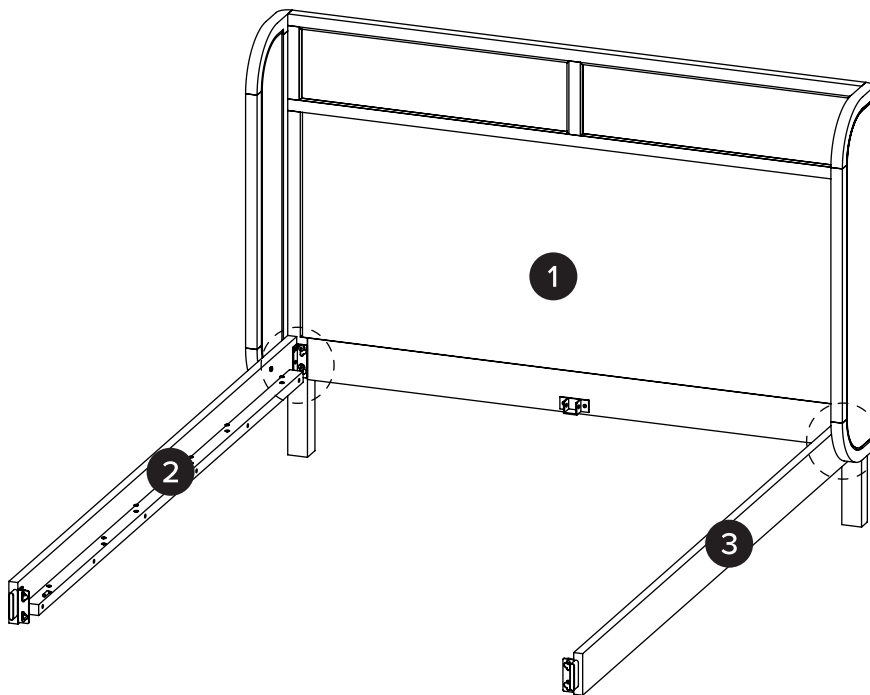
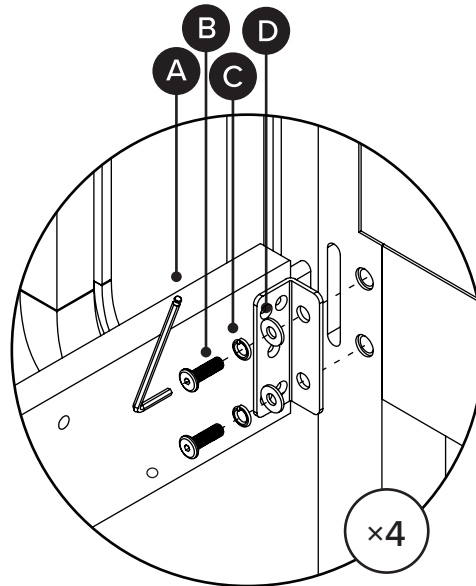
1



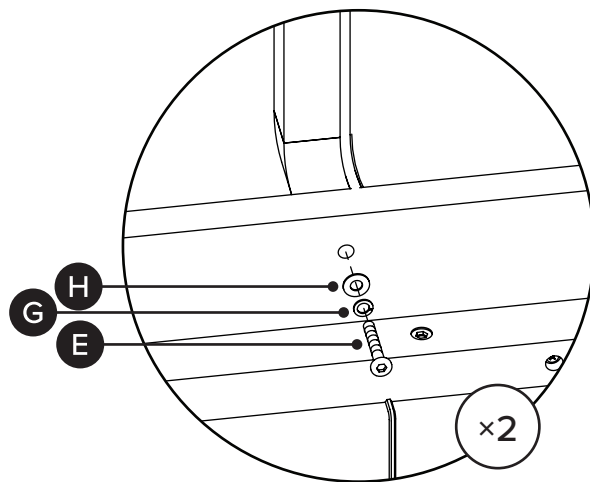
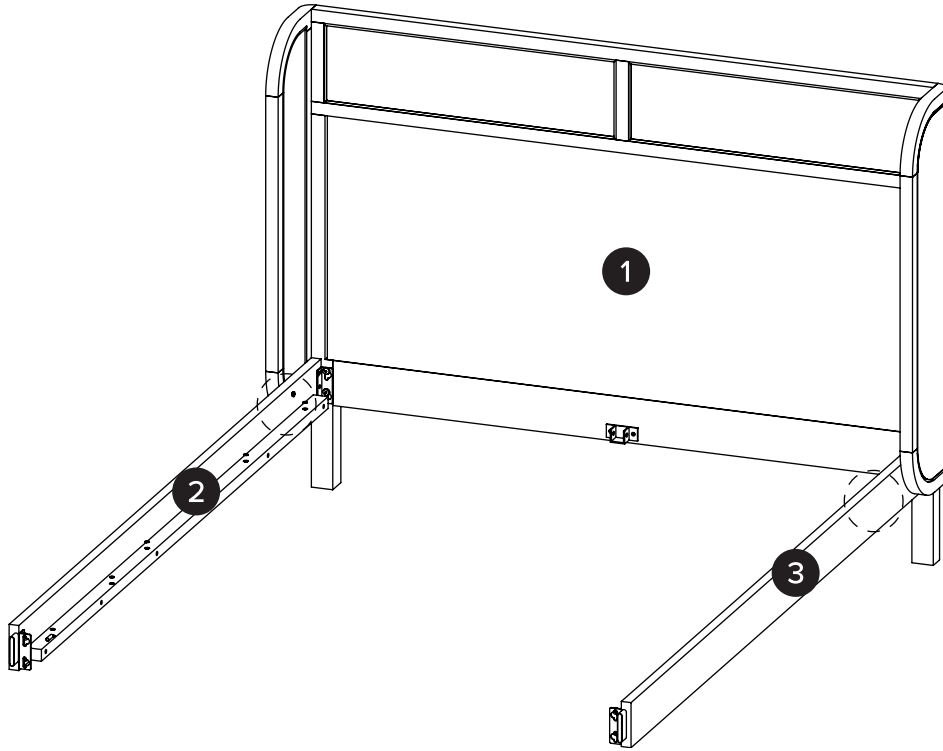
! Do not fully tighten bolts. Ensure all 4 legs are tightened by 85%.



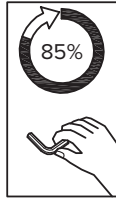
! Once all bolts are in place, fully tighten all four bolts on leg frames before turning chair upright.



2



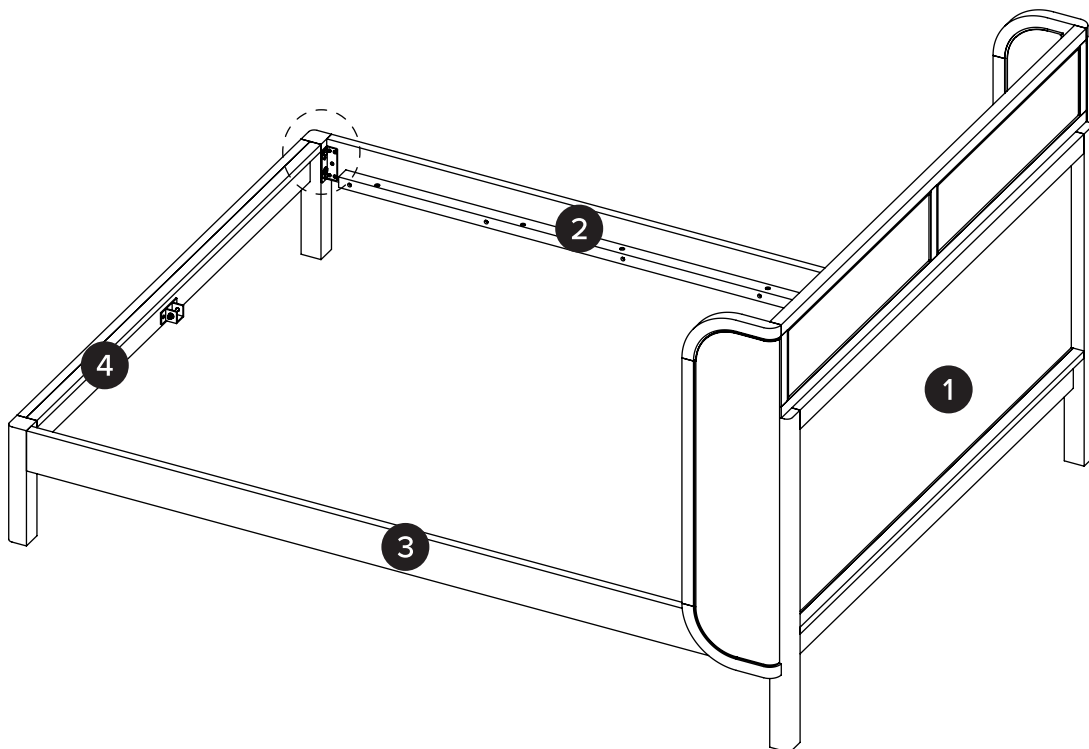
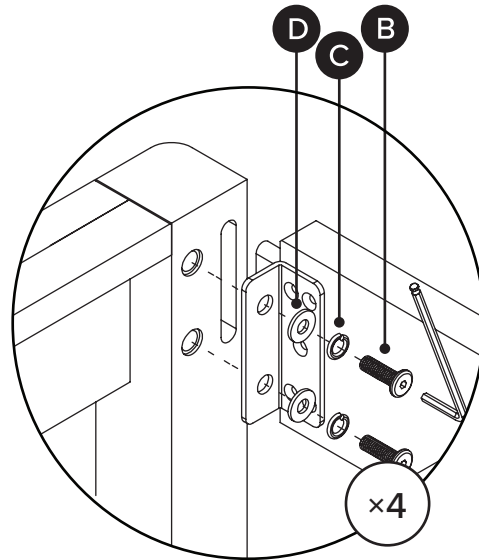
3



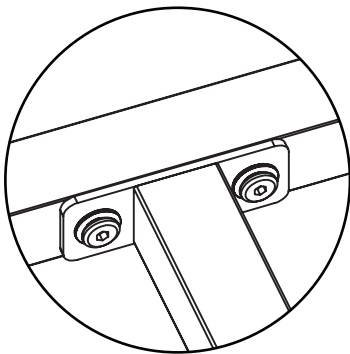
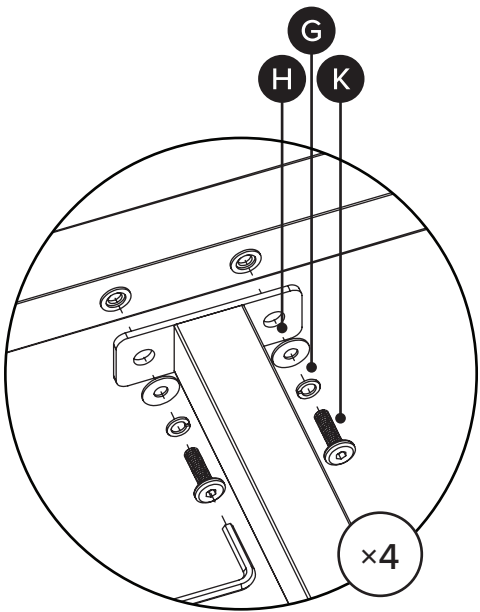
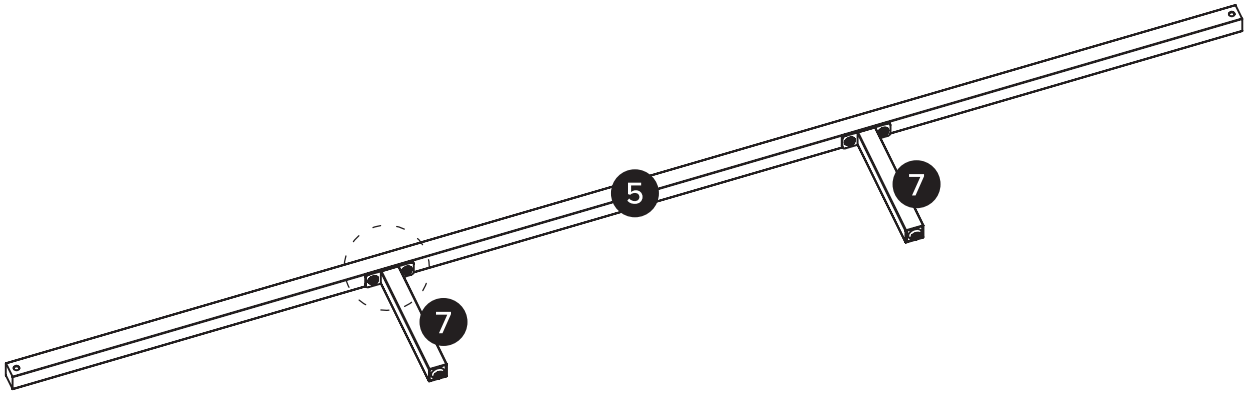
! Do not fully tighten bolts. Ensure all 4 legs are tightened by 85%.



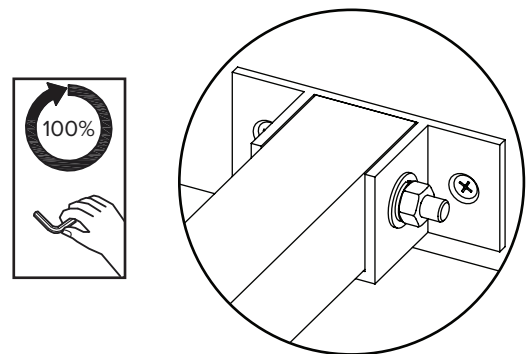
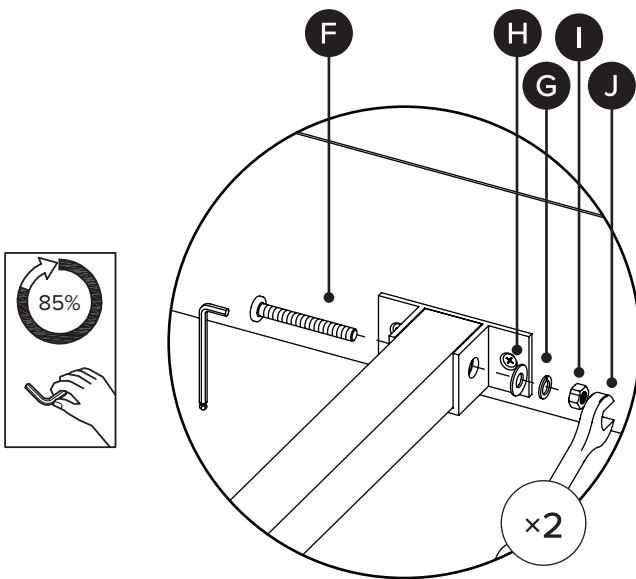
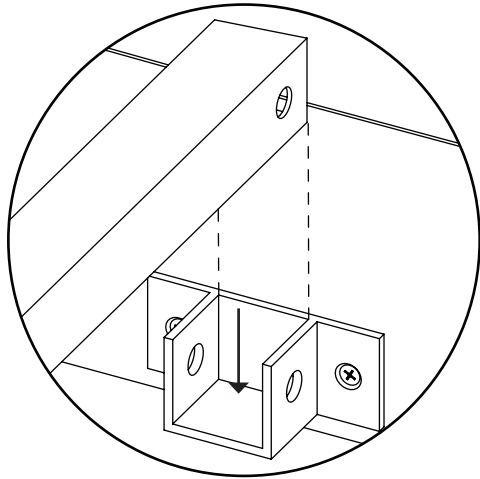
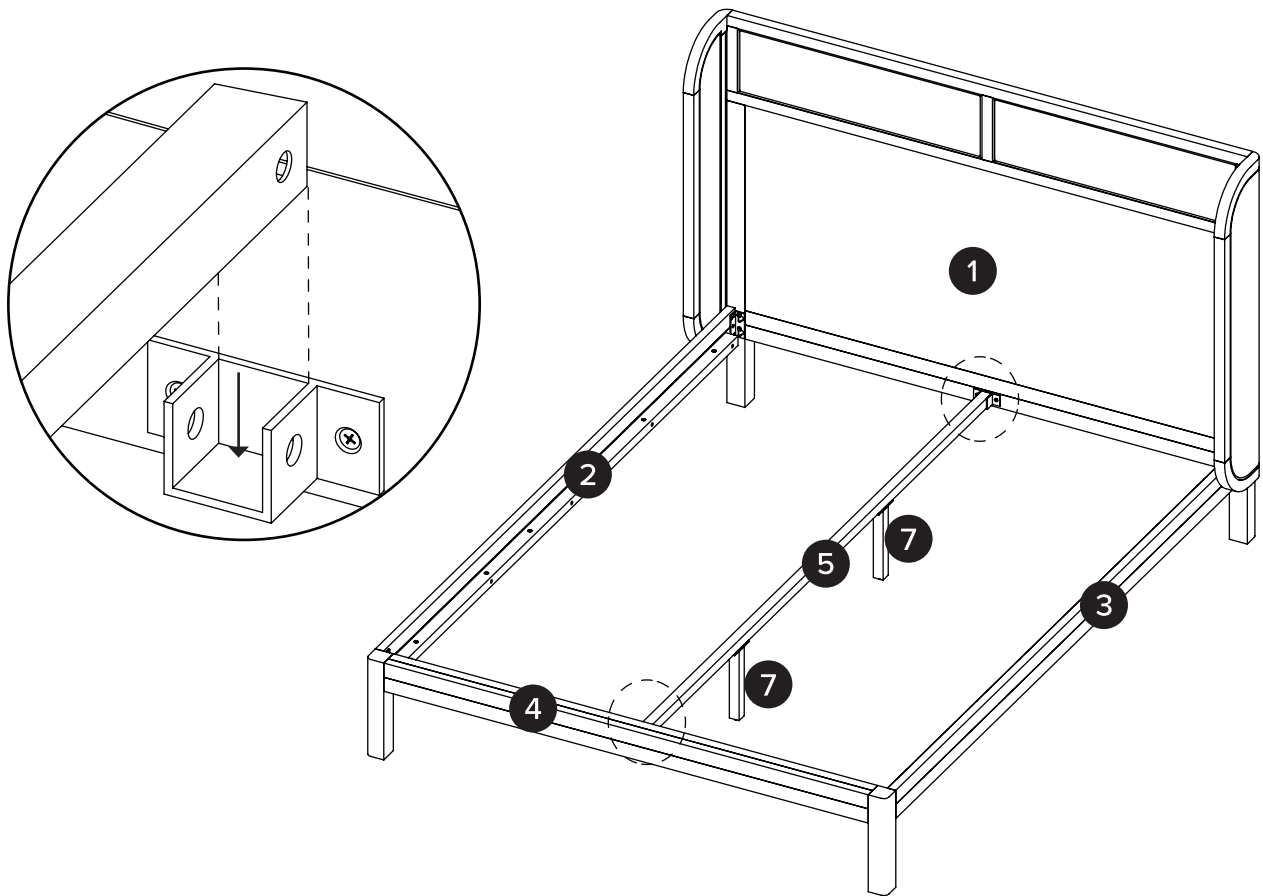
! Once all bolts are in place, fully tighten all four bolts on leg frames before turning chair upright.



4



5

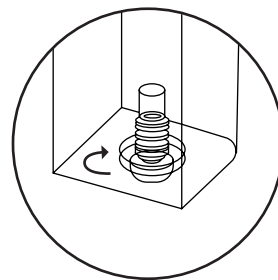
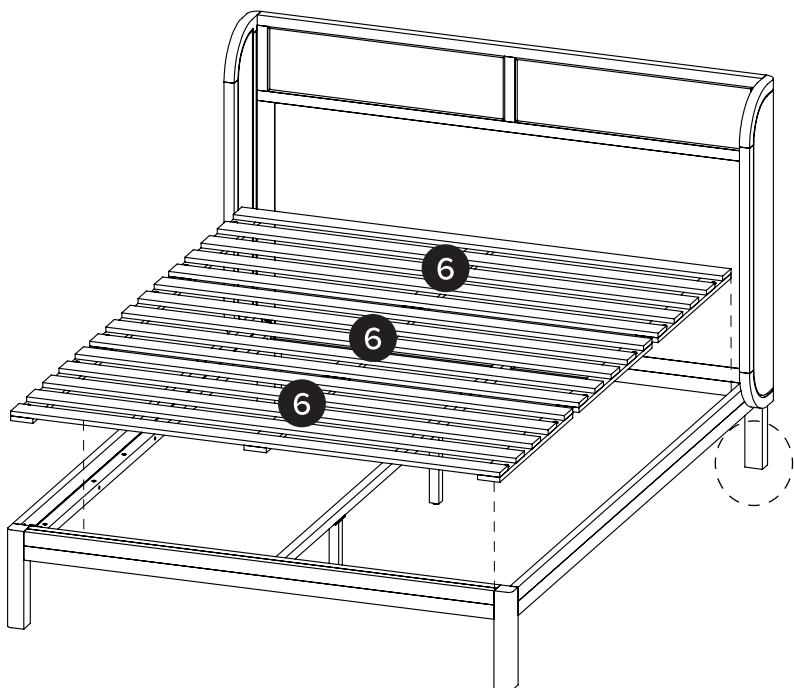


! Do not fully tighten bolts. Ensure all 4 legs are tightened by 85%.

! Once all bolts are in place, fully tighten.

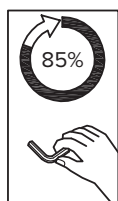
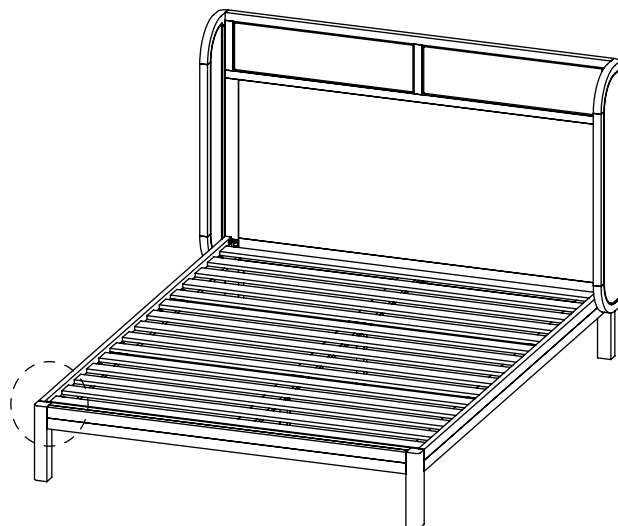
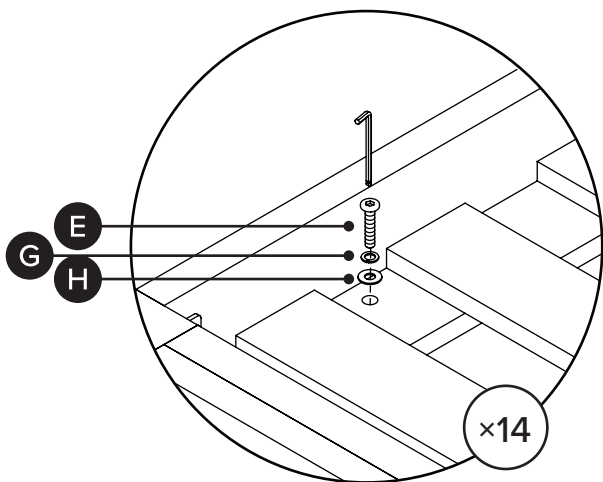


6



! Adjust levelers as needed.

7



! Do not fully tighten bolts. Ensure all 4 legs are tightened by 85%.



! Once all bolts are in place, fully tighten all four bolts on leg frames before turning chair upright.