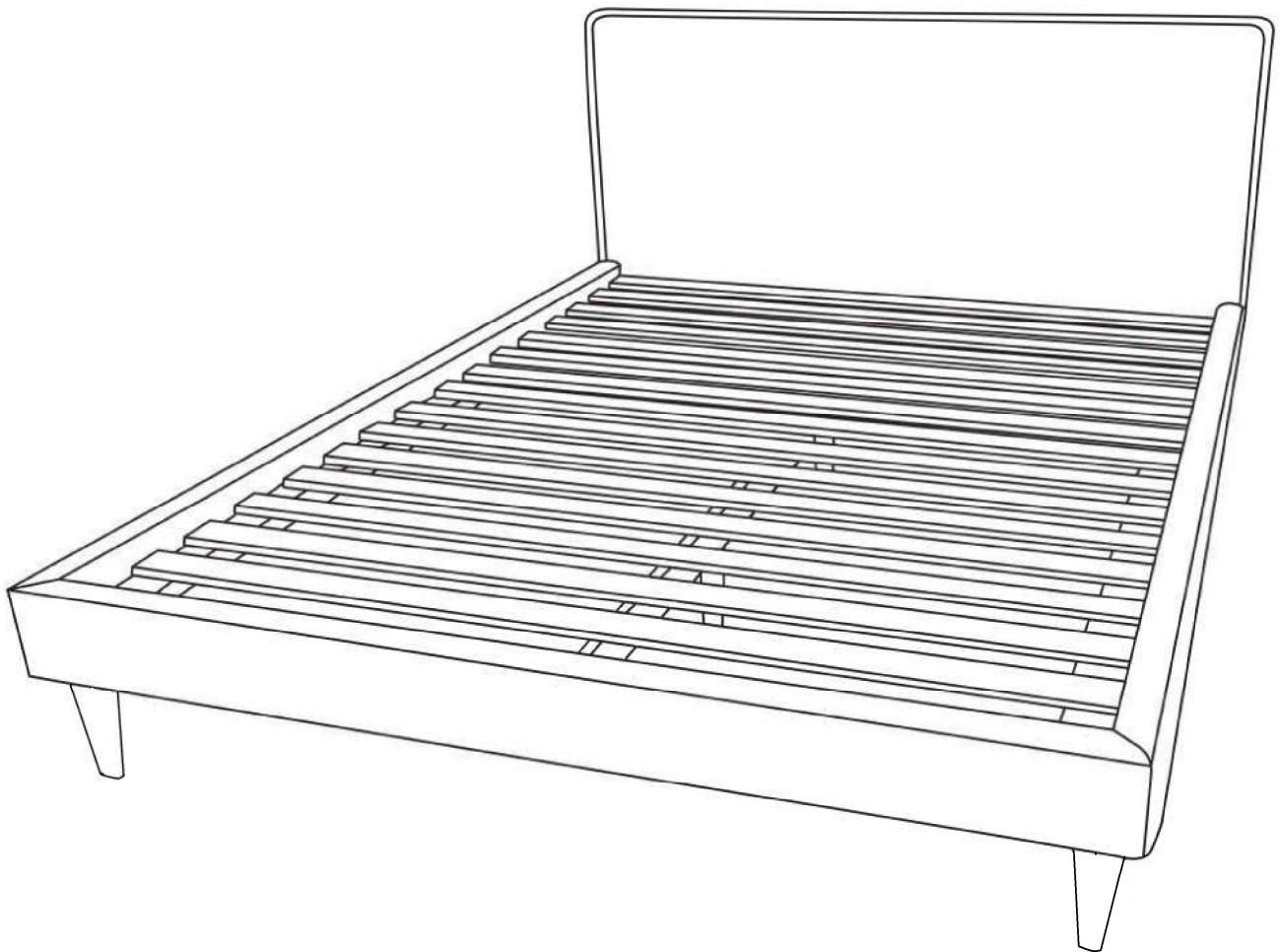


ARTICLE.

VERSION 1.4

Assembly Instructions



SVEN

Bed

ASSEMBLY INSTRUCTIONS

Read these instructions carefully and keep for future reference. Refer to parts inventory for guidance, and ensure you have all pieces before starting.

When assembling, place all parts on a soft, clean, and flat surface such as a carpet to prevent scratches.

If you're having difficulty, our friendly Customer Care team is always here to help. Call us at **1888.746.3455** during business hours, email service@article.com or chat live at article.com.



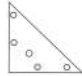

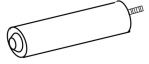
TIME









OF PEOPLE

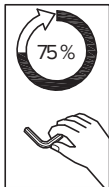
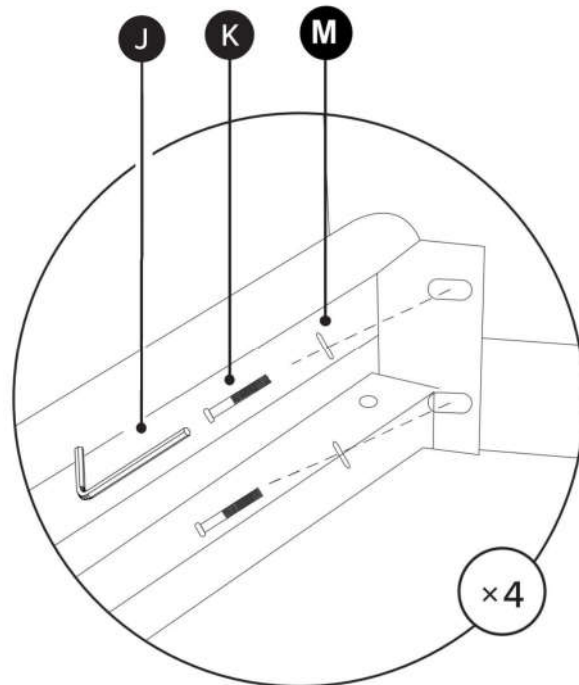
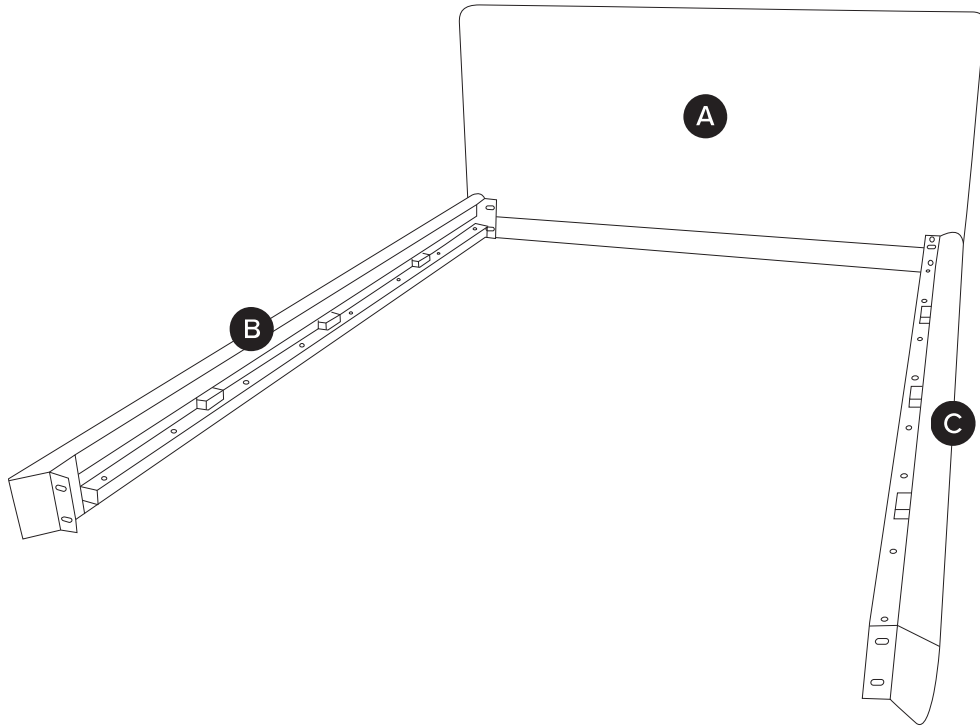


DIFFICULTY

PARTS INVENTORY		
ID	DESCRIPTION	QTY
A	HEADBOARD	1
B	LEFT SIDE FRAME	1
C	RIGHT SIDE FRAME	1
D	FOOTBOARD	1
E	CORNER BRACKET 	4
F	CORNER LEG 	4
G	CENTER LEG 	2
H	CENTER FRAME	1
I	SLATS	4

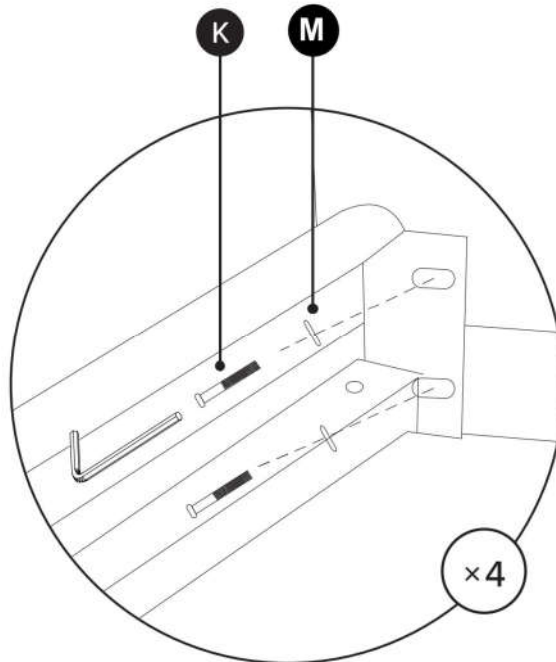
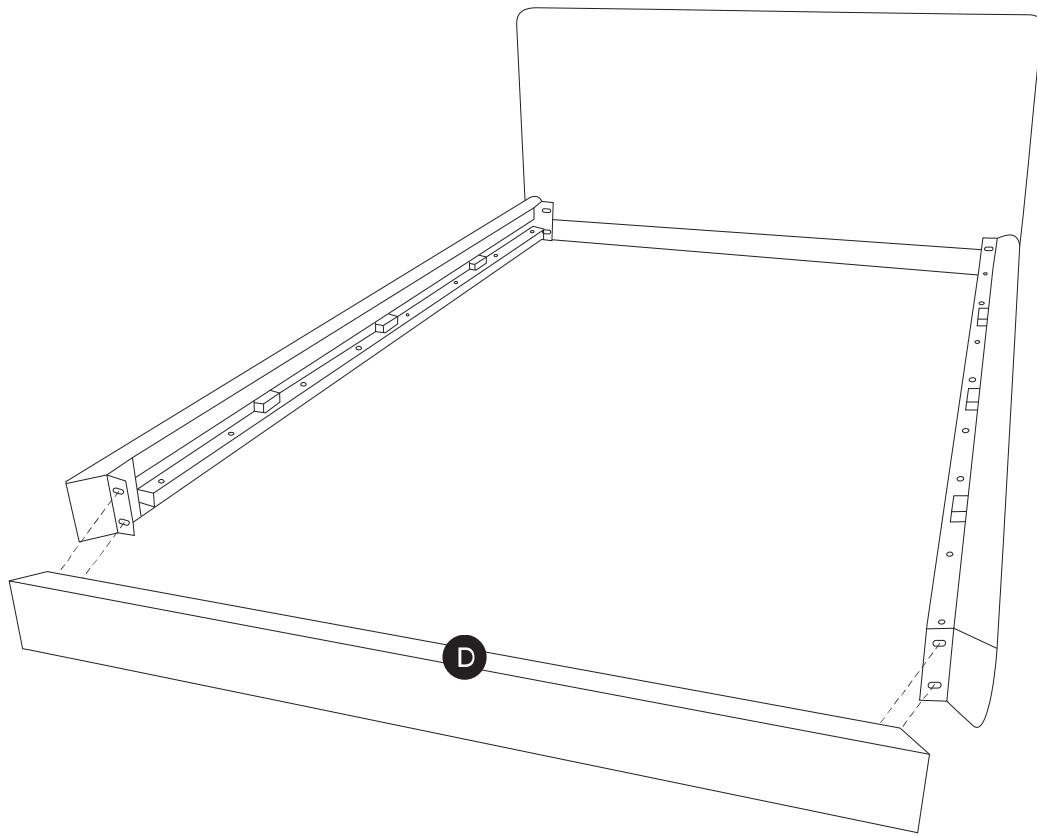
PARTS INVENTORY CONT.		
ID	DESCRIPTION	QTY
J	ALLEN KEY 	1
K	M8 × 30MM BOLT 	16
L	M8 × 20MM BOLT 	16
M	M8 WASHER 	32
N	M6 × 40MM BOLT 	16
O	M6 WASHER 	16

1



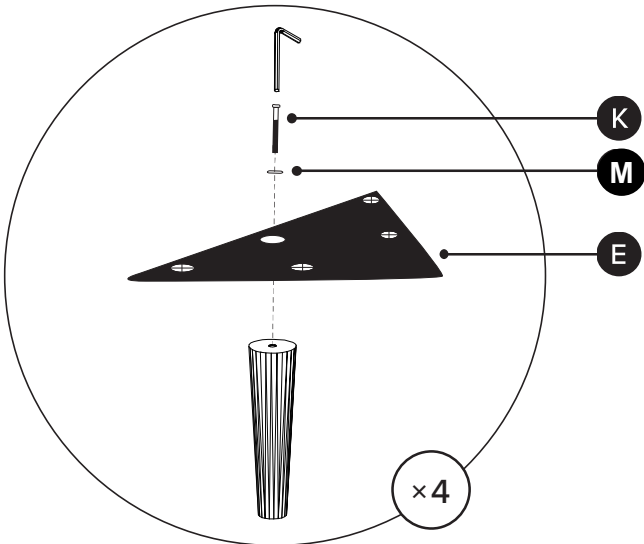
! Turn the bolts (K) by hand first. Do not fully tighten bolts (K) on corner frames until step 2.

2

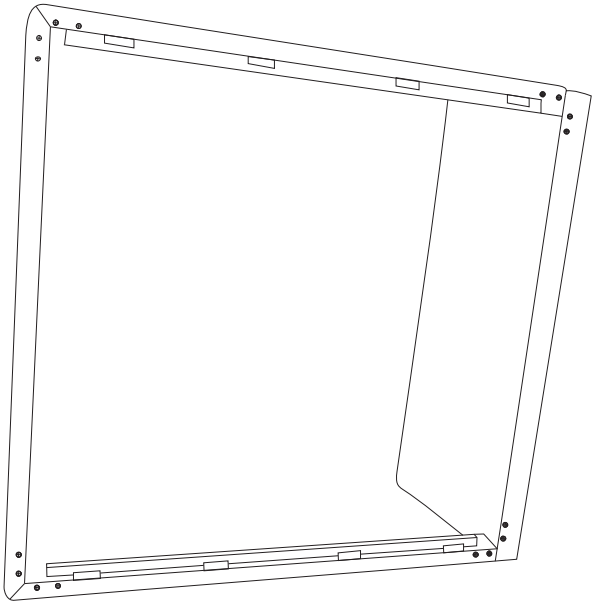
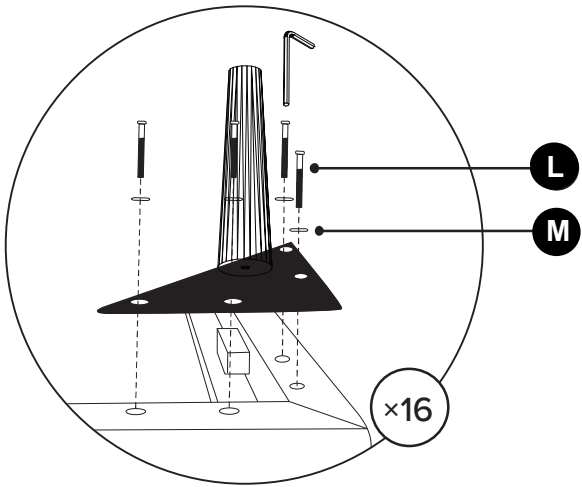


! Turn the bolts (K) by hand first. Then fully tighten bolts (K) on corner frames after the side rails are flat.

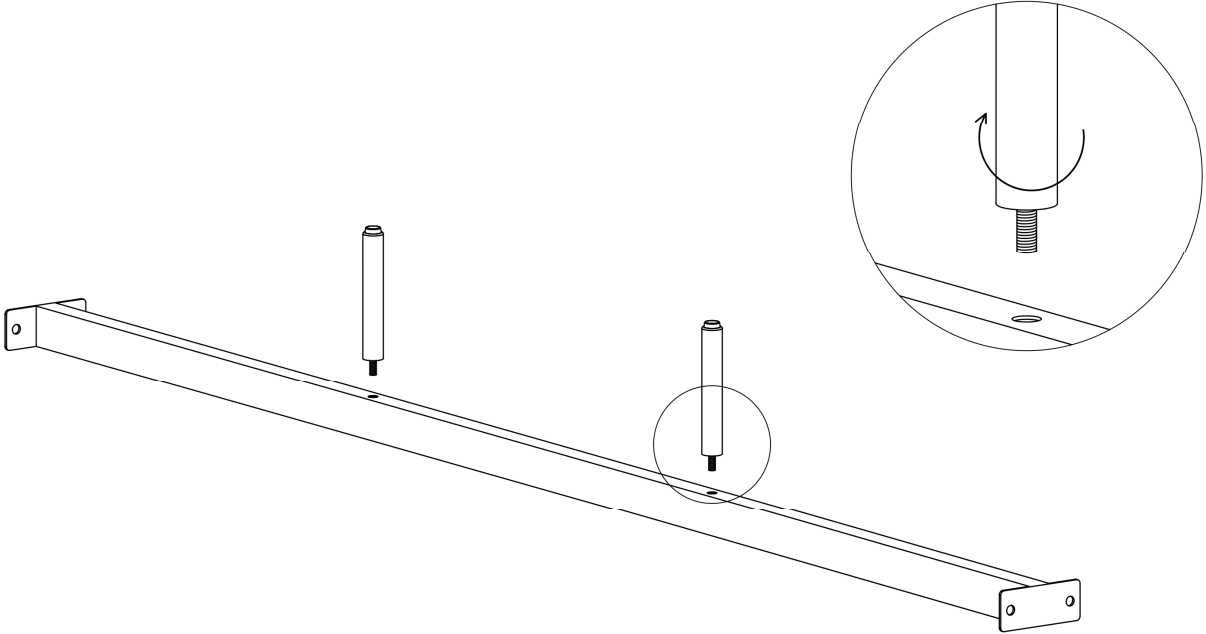
3



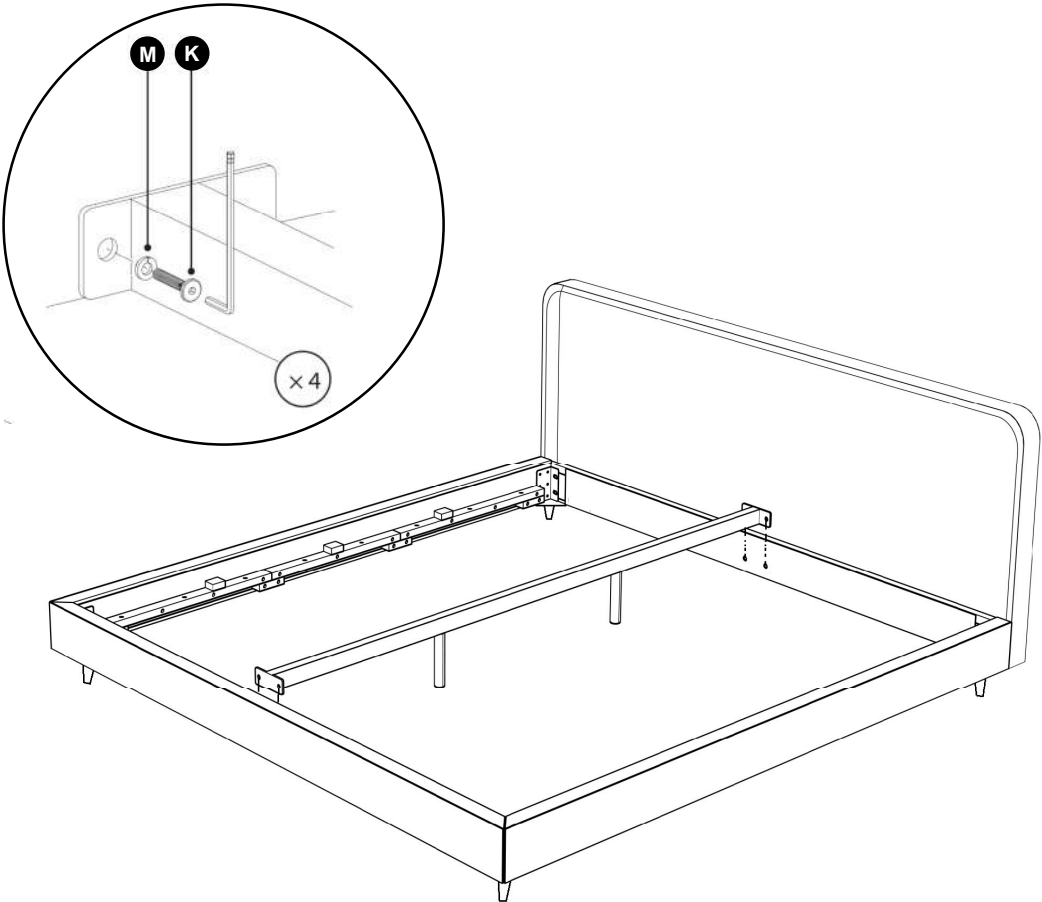
4



5



6



7

