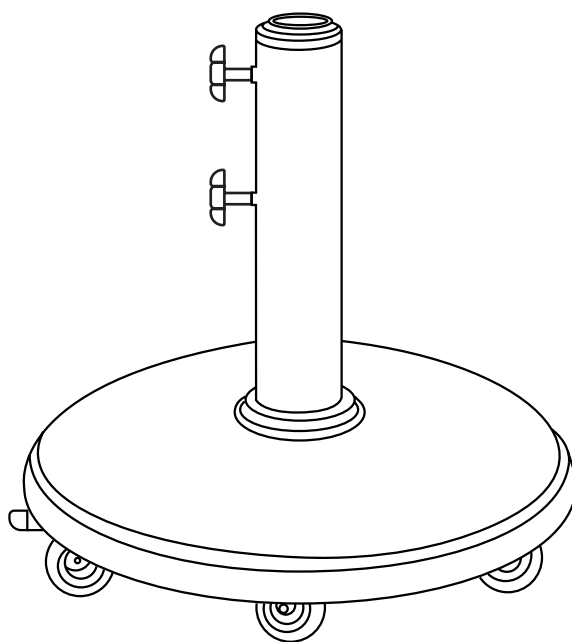


ARTICLE.

VERSION 1.0

Assembly Instructions



PAIMA

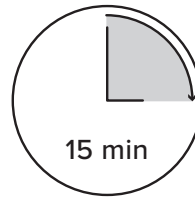
Umbrella Base

ASSEMBLY INSTRUCTIONS

Read these instructions carefully and keep for future reference. Refer to parts inventory for guidance, and ensure you have all pieces before starting.

When assembling, place all parts on a soft, clean, and flat surface such as a carpet to prevent scratches.

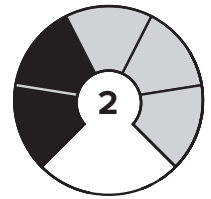
If you're having difficulty, our friendly Customer Care team is always here to help. Call us at **1.888.746.3455** during business hours, email service@article.com or chat live at [article.com](https://www.article.com).



TIME



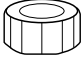




OF PEOPLE



DIFFICULTY

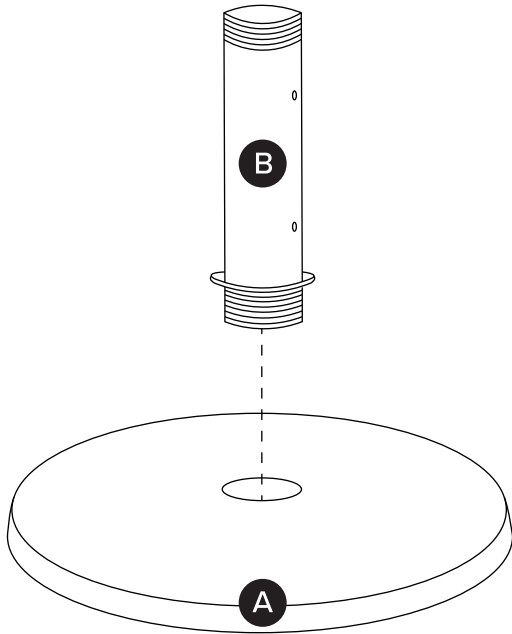


NOTE : Parts used for the umbrella are only applicable to Article umbrellas due to adapter restraints.

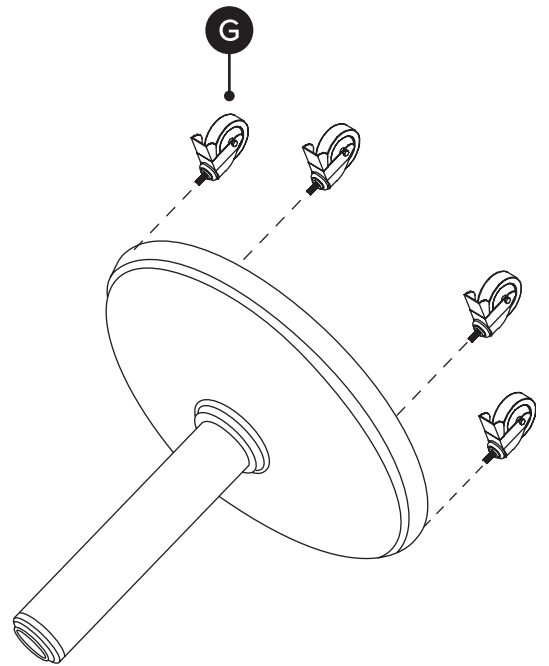
PARTS INVENTORY		
ID	DESCRIPTION	QTY
A	BASE	1
B	UMBRELLA SUPPORT	1
C	CAP 	1
D	SMALL ADAPTOR 	1
E	BIG ADAPTOR 	1
F	SCREW 	2
G	CASTER WITH STOPPER 	4

CAP & ADAPTORS GUIDELINE	
POLE DIAMETER	PARTS REQUIRED
32MM	C + D + E
35MM	C + D + E / C + E
38MM	C + E
38MM - 48MM	C

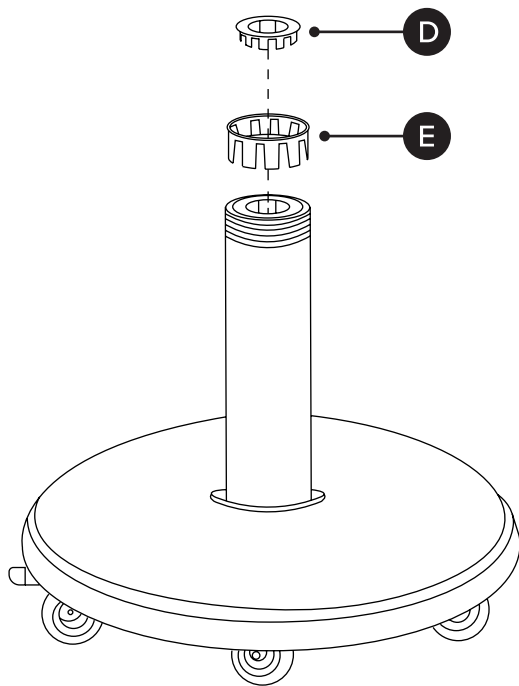
1



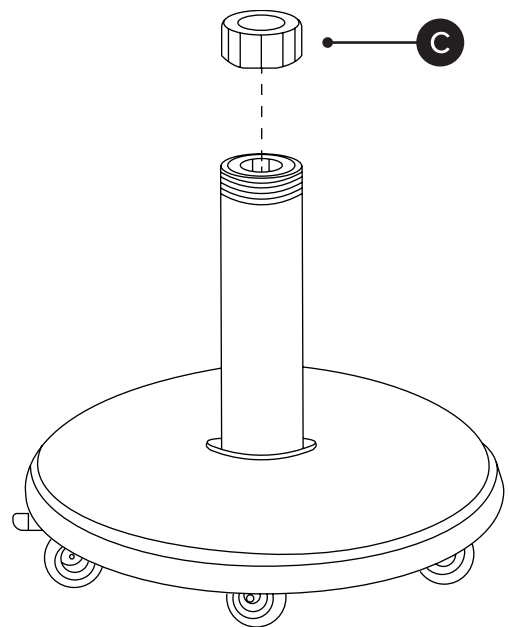
2



3

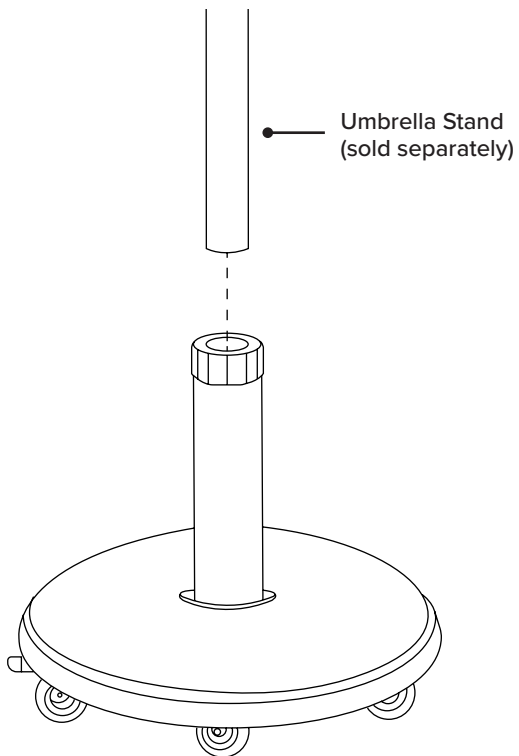


4



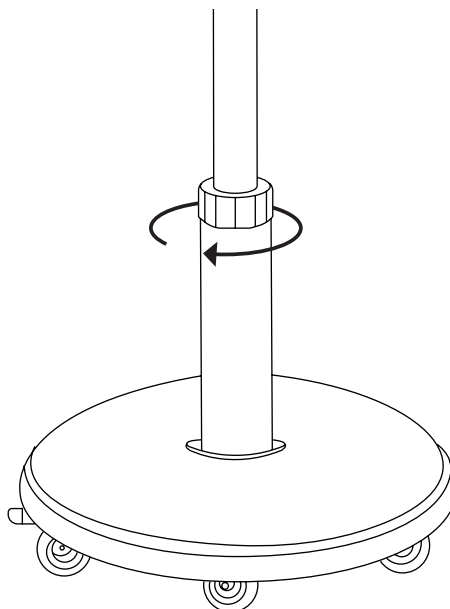
! Do not fully tighten cap (C) before inserting umbrella.

5A



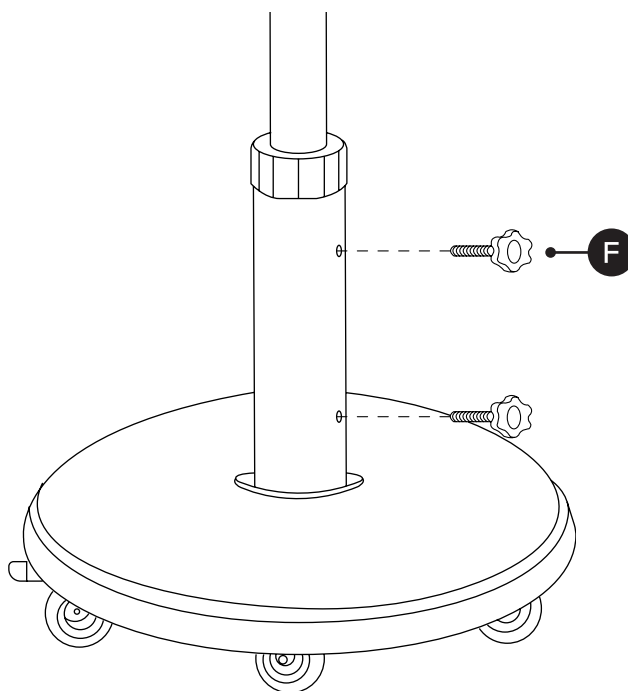
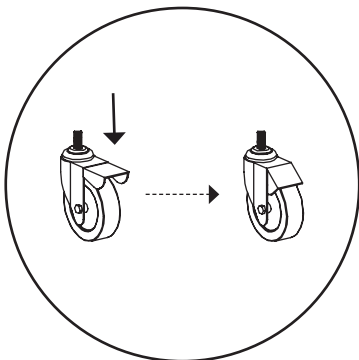
5B

! Tighten cap (C) once umbrella is inserted.



5

! After the casters (G) are installed and patio umbrella are properly inserted, make sure all four casters (G) are locked by pressing down the wheel brake to secure. To unlock it, simply pull the leverage back up to move your umbrella base.



! Fully tighten both screws (F) to stabilize umbrella in base.