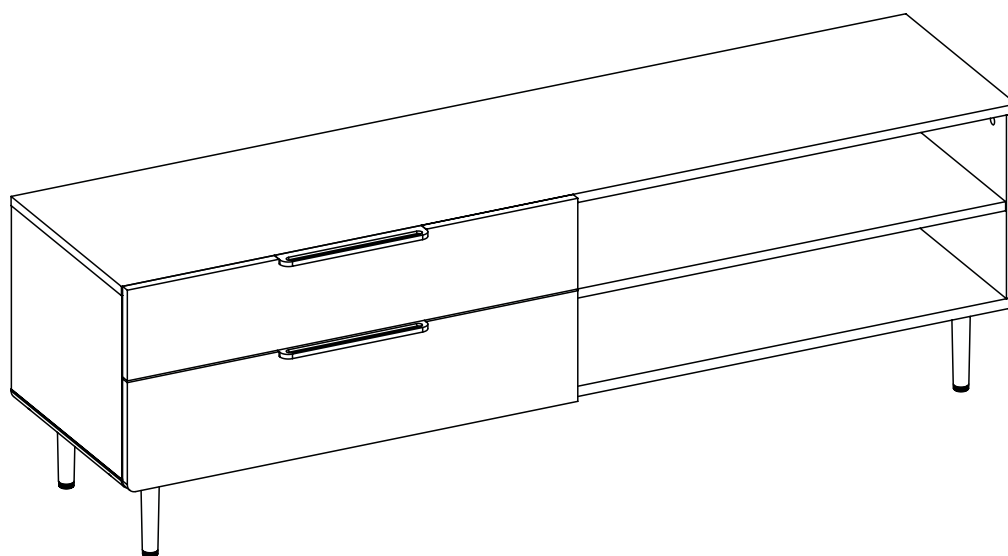


# ARTICLE.

VERSION 1.0

## Assembly Instructions



# NERA

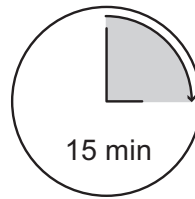
Media Unit

## ASSEMBLY INSTRUCTIONS

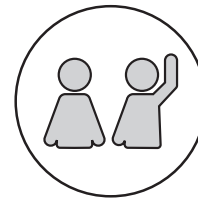
Read these instructions carefully and keep for future reference. Refer to parts inventory for guidance, and ensure you have all pieces before starting.

When assembling, place all parts on a soft, clean, and flat surface such as a carpet to prevent scratches.

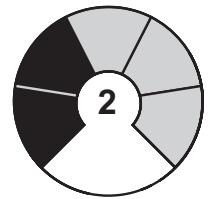
If you're having difficulty, our friendly Customer Care team is always here to help. Call us at **1.888.746.3455** during business hours, email [service@article.com](mailto:service@article.com) or chat live at [article.com](https://www.article.com).





TIME



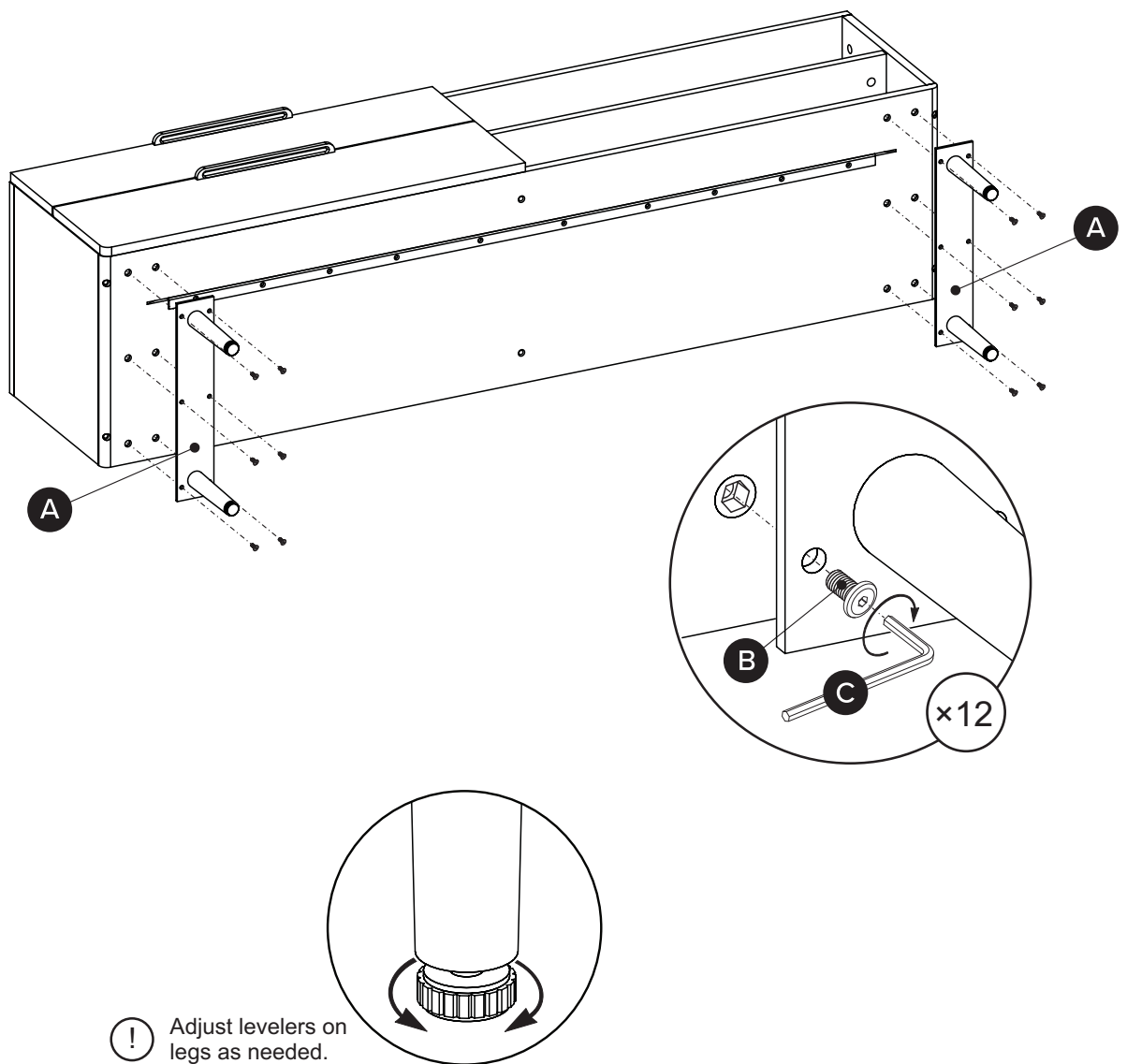
# OF PEOPLE



DIFFICULTY

PARTS INVENTORY		
ID	DESCRIPTION	QTY
<b>A</b>	SIDE LEGS	2
<b>B</b>	M6 × 15MM BOLT 	12
<b>C</b>	ALLEN KEY 	1

1

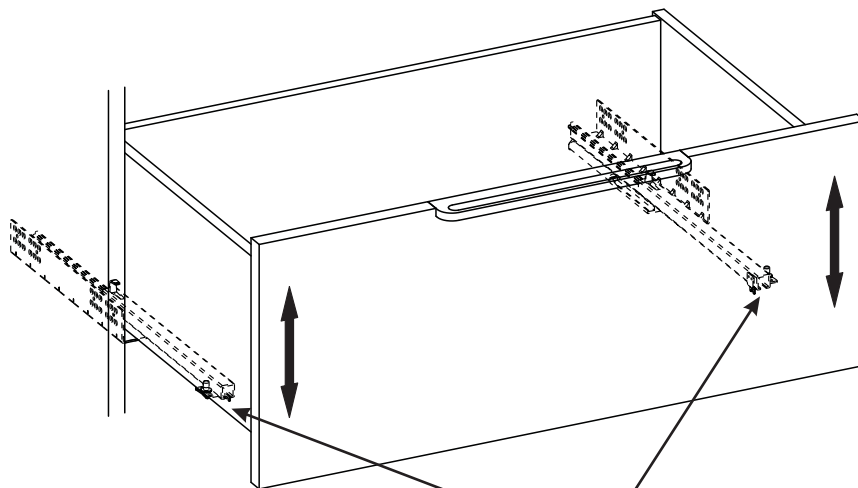


# SOFT CLOSING DRAWERS – NERA

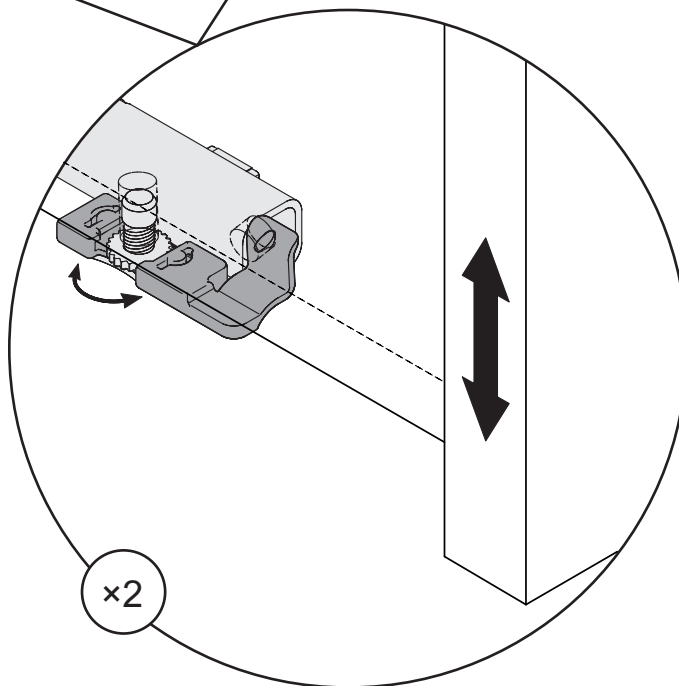
## ADJUSTMENT INSTRUCTIONS

### FIX A CROOKED DRAWER

---

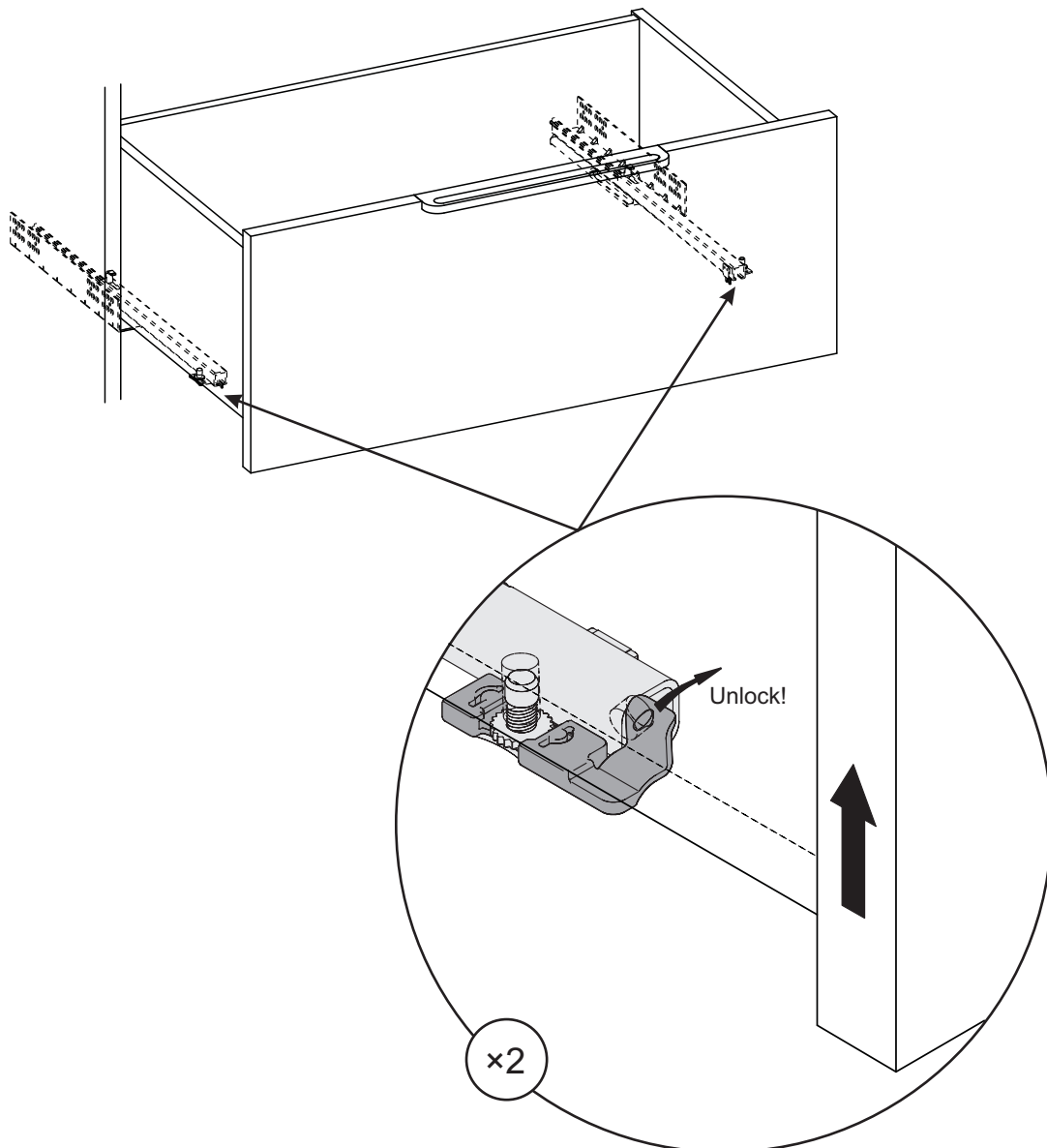


ⓘ Adjust levers on either side of drawer as needed to straighten drawer.

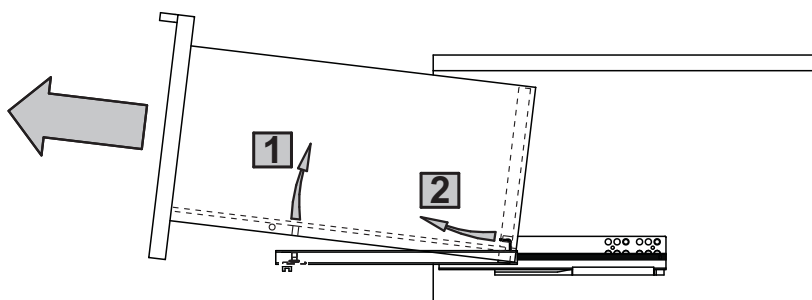


# REMOVE DRAWER

1



2

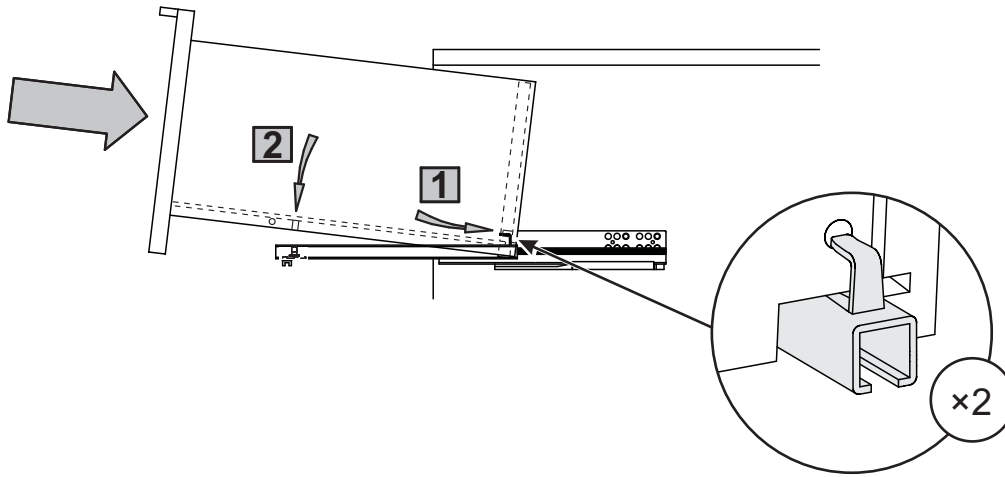


ARTICLE.

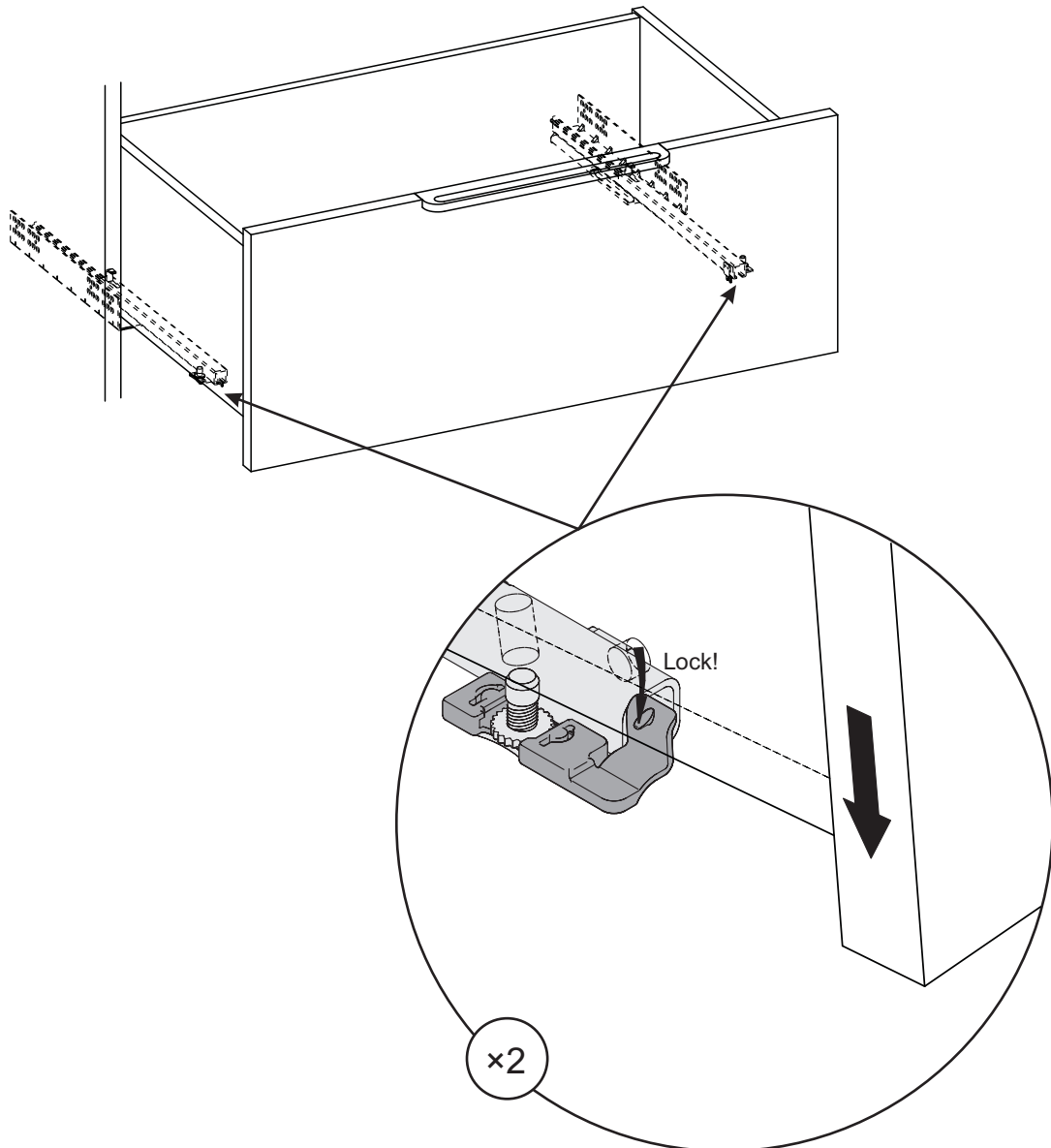
# INSTALL DRAWER

---

1



2



ARTICLE.