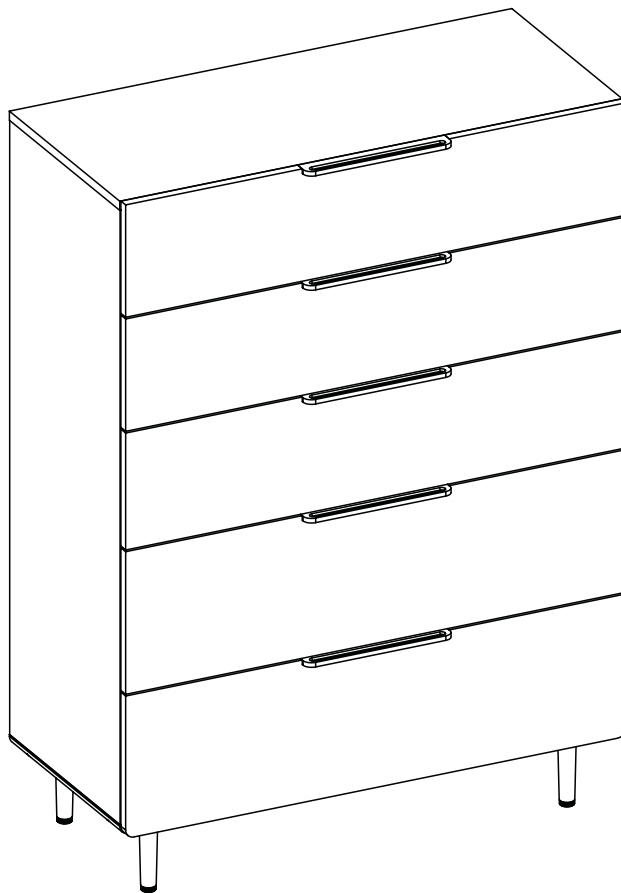


# ARTICLE.

VERSION 1.0

## Assembly Instructions



# NERA

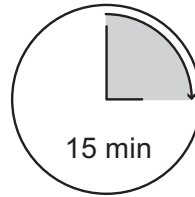
5 Drawer Chest

## ASSEMBLY INSTRUCTIONS

Read these instructions carefully and keep for future reference. Refer to parts inventory for guidance, and ensure you have all pieces before starting.

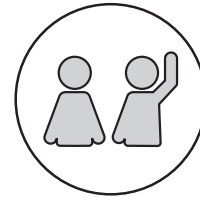
When assembling, place all parts on a soft, clean, and flat surface such as a carpet to prevent scratches.

If you're having difficulty, our friendly Customer Care team is always here to help. Call us at **1.888.746.3455** during business hours, email **service@article.com** or chat live at **article.com**.

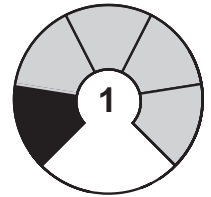


15 min

TIME





# OF PEOPLE



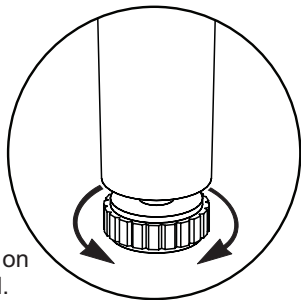
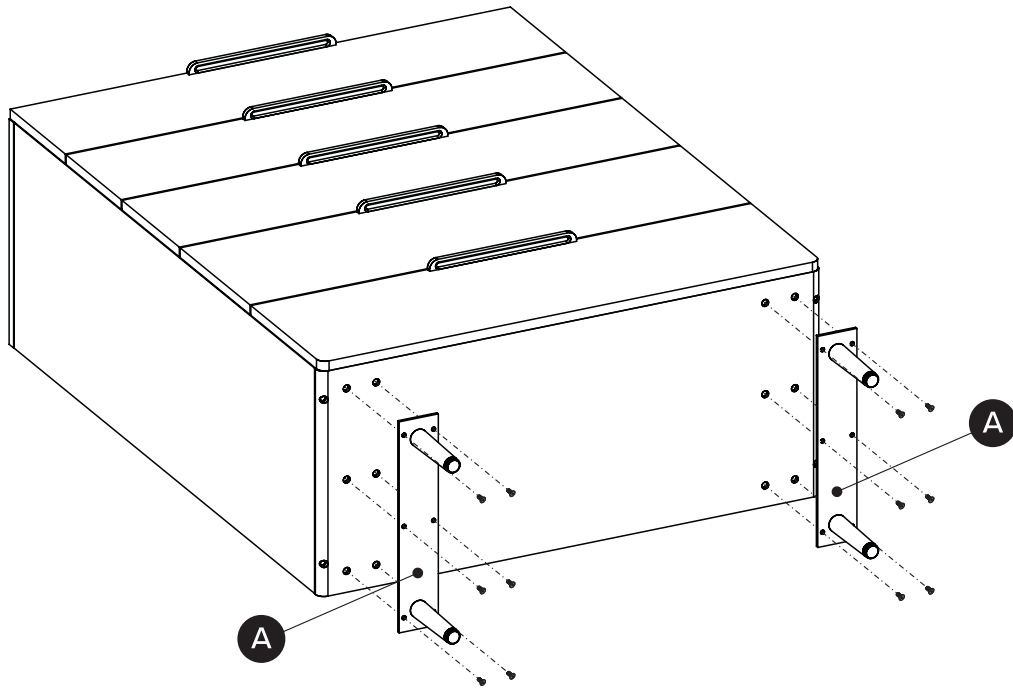
DIFFICULTY



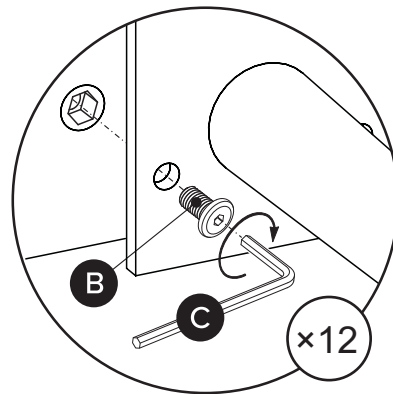
ANTI-TIP  
Installation Required

PARTS INVENTORY		
ID	DESCRIPTION	QTY
<b>A</b>	LEG FRAME	2
<b>B</b>	M6 × 15MM BOLT 	12
<b>C</b>	ALLEN KEY 	1

1



! Adjust levelers on legs as needed.

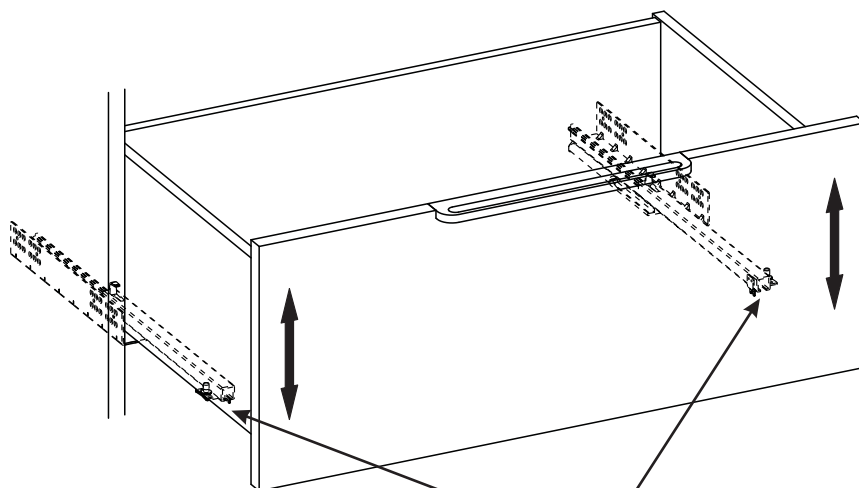


# SOFT CLOSING DRAWERS – NERA

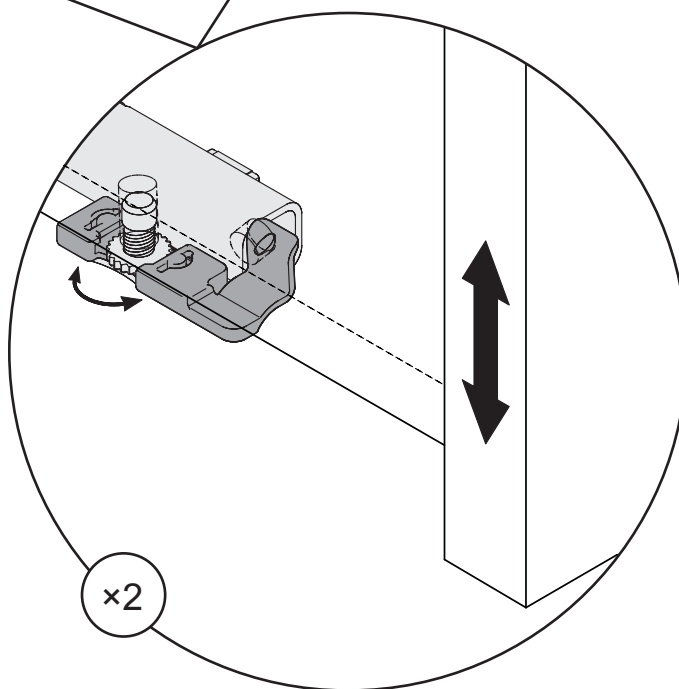
## ADJUSTMENT INSTRUCTIONS

### FIX A CROOKED DRAWER

---



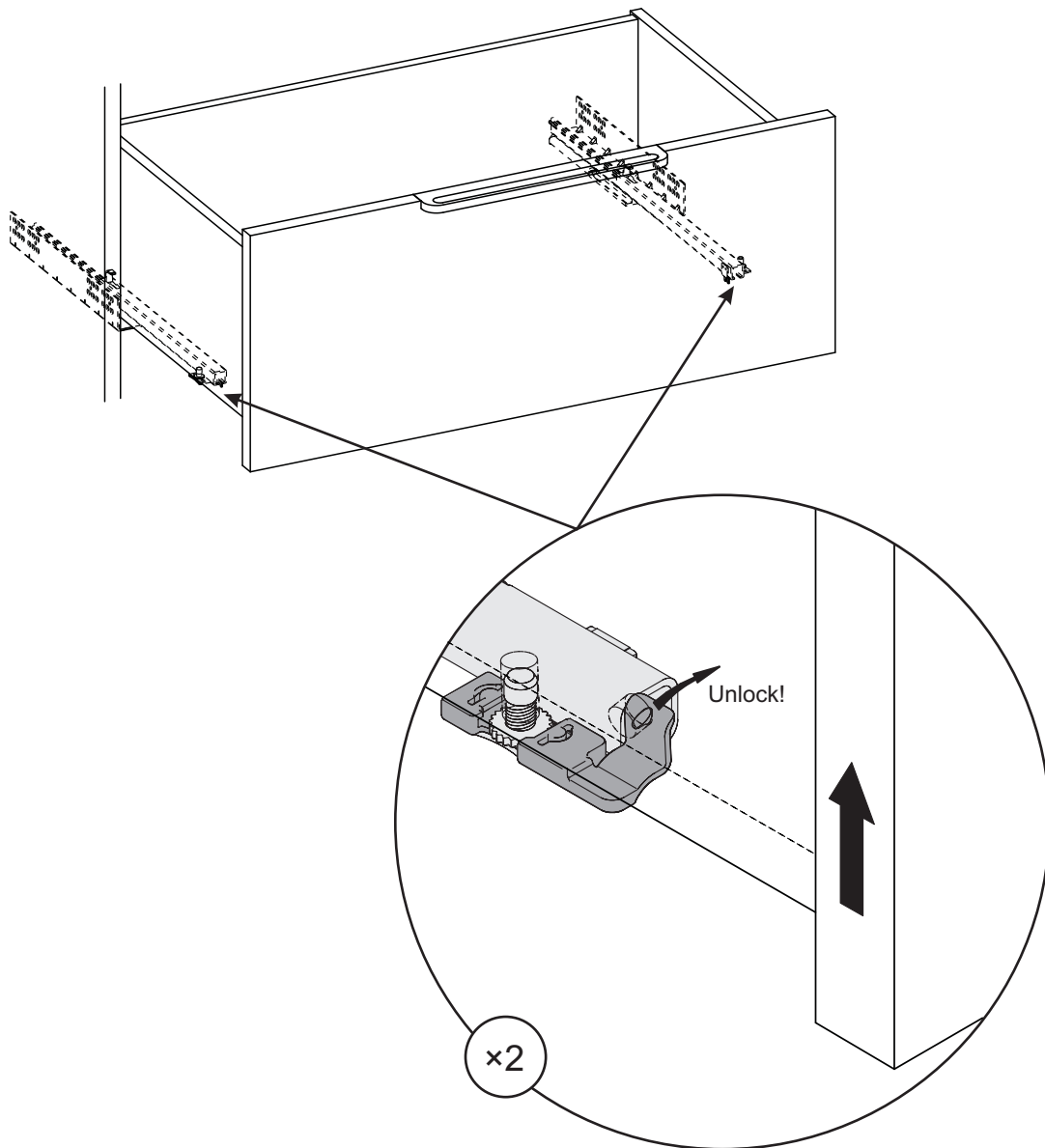
ⓘ Adjust levers on either side of drawer as needed to straighten drawer.



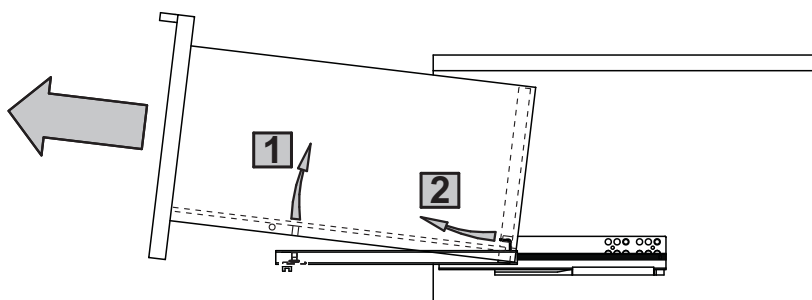
If you're having difficulty, our friendly Customer Care team is always here to help. Call us at **1.888.746.3455** during business hours, email [service@article.com](mailto:service@article.com) or chat live at [article.com](https://www.article.com).

REMOVE DRAWER

1



2

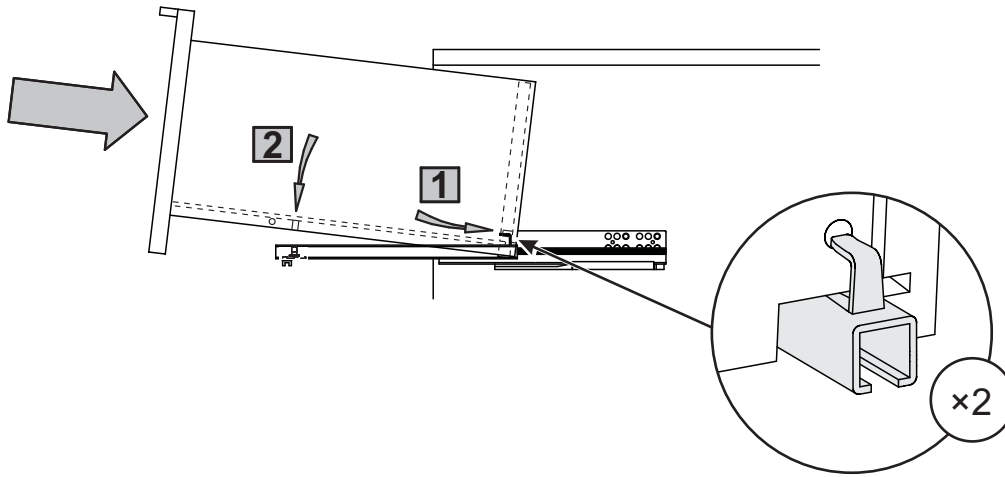


ARTICLE.

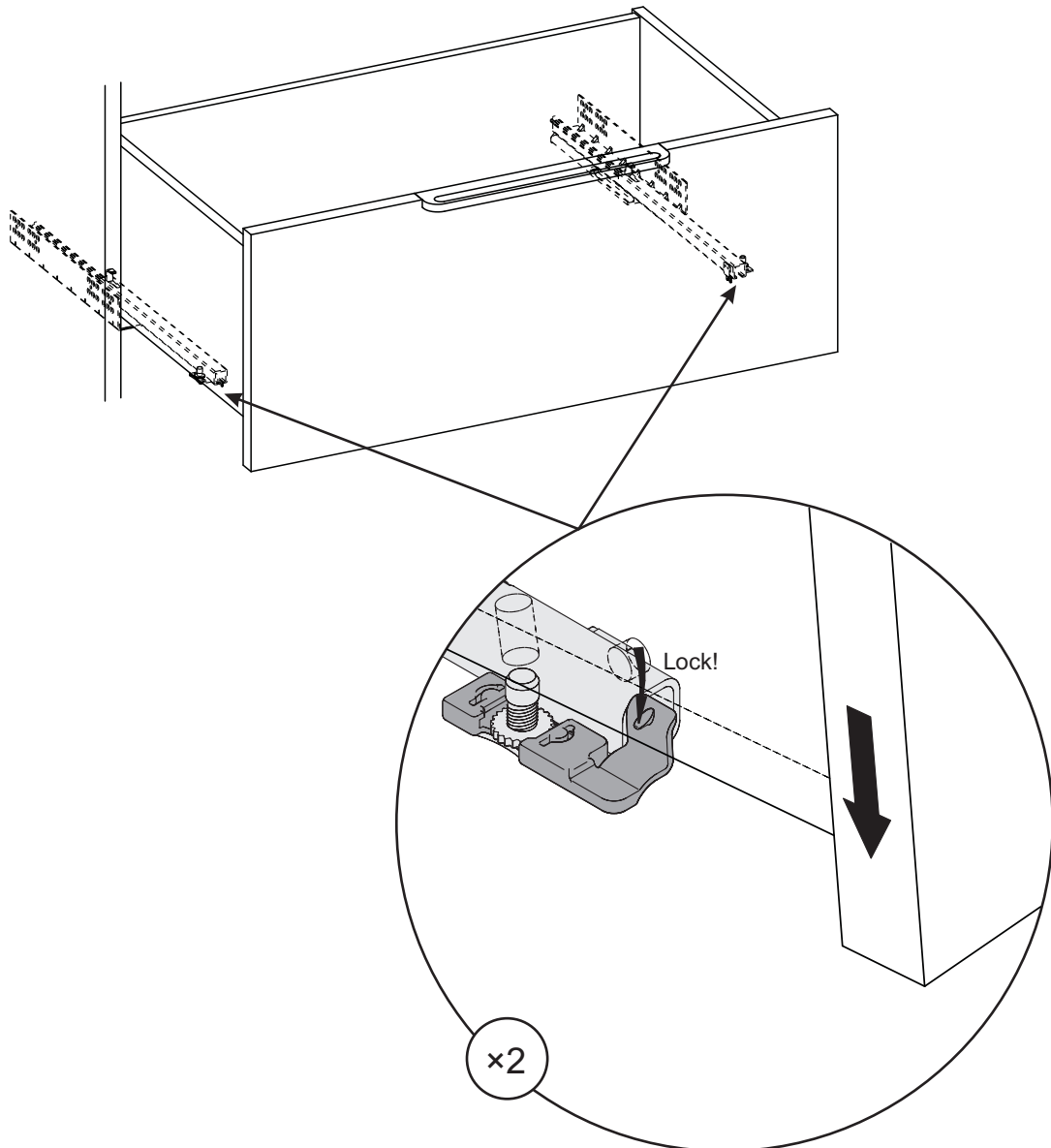
# INSTALL DRAWER

---

1



2



ARTICLE.

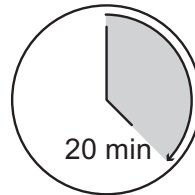


## ANTI-TIP RESTRAINT INSTALLATION

### WARNING!

Children have died from furniture tipover.  
To reduce the risk of furniture tipover:

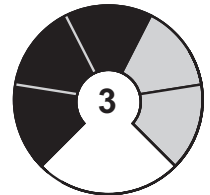
- ALWAYS install tipover restraint provided.
- NEVER put a TV on this product.
- NEVER allow children to stand, climb or hang on drawers, doors, or shelves.
- NEVER open more than one drawer at a time.
- Place heaviest items in the lower drawers.



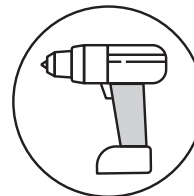
TIME



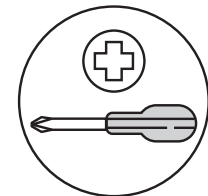
# OF PEOPLE








DIFFICULTY



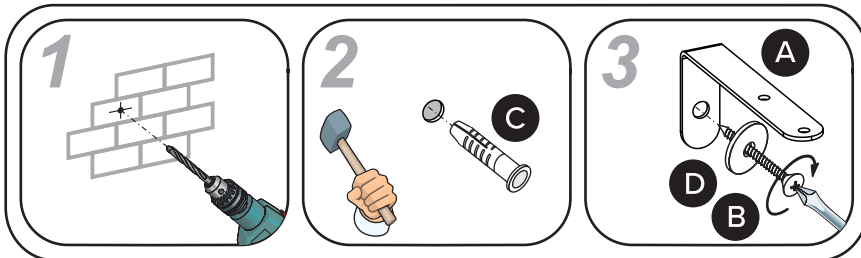
REQUIRED TOOL  
8MM / 5/16" DRILL BIT



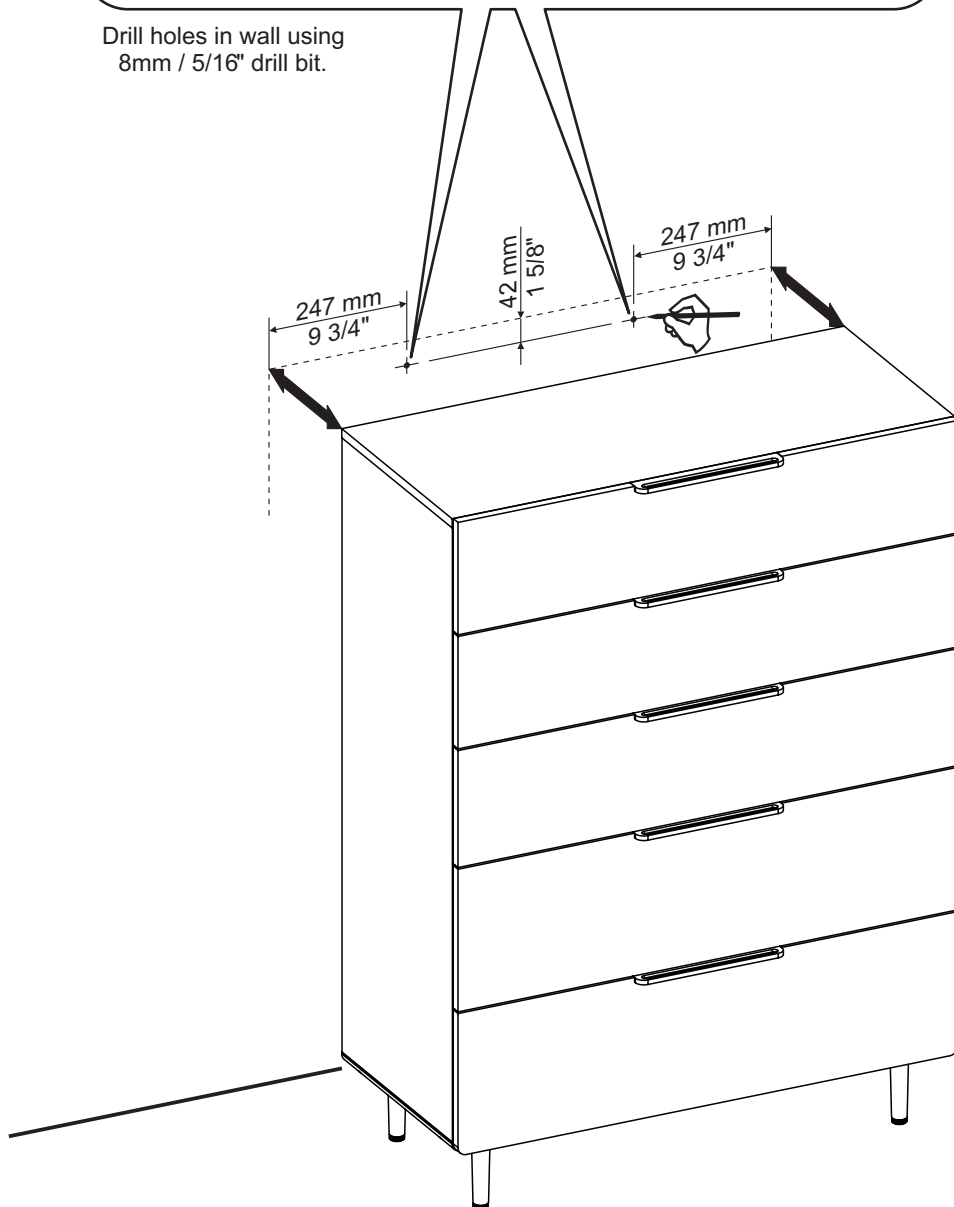
REQUIRED TOOL

PARTS INVENTORY			
ID	DESCRIPTION		QTY
<b>A</b>	ANGLE PLATE		2
<b>B</b>	Ø 4 × 45MM SCREW		2
<b>C</b>	Ø 8 × 40MM PLUG		2
<b>D</b>	M5 × 18MM WASHER		2
<b>E</b>	Ø 3,5 × 13MM SCREW		4

1



Drill holes in wall using  
8mm / 5/16" drill bit.





2

