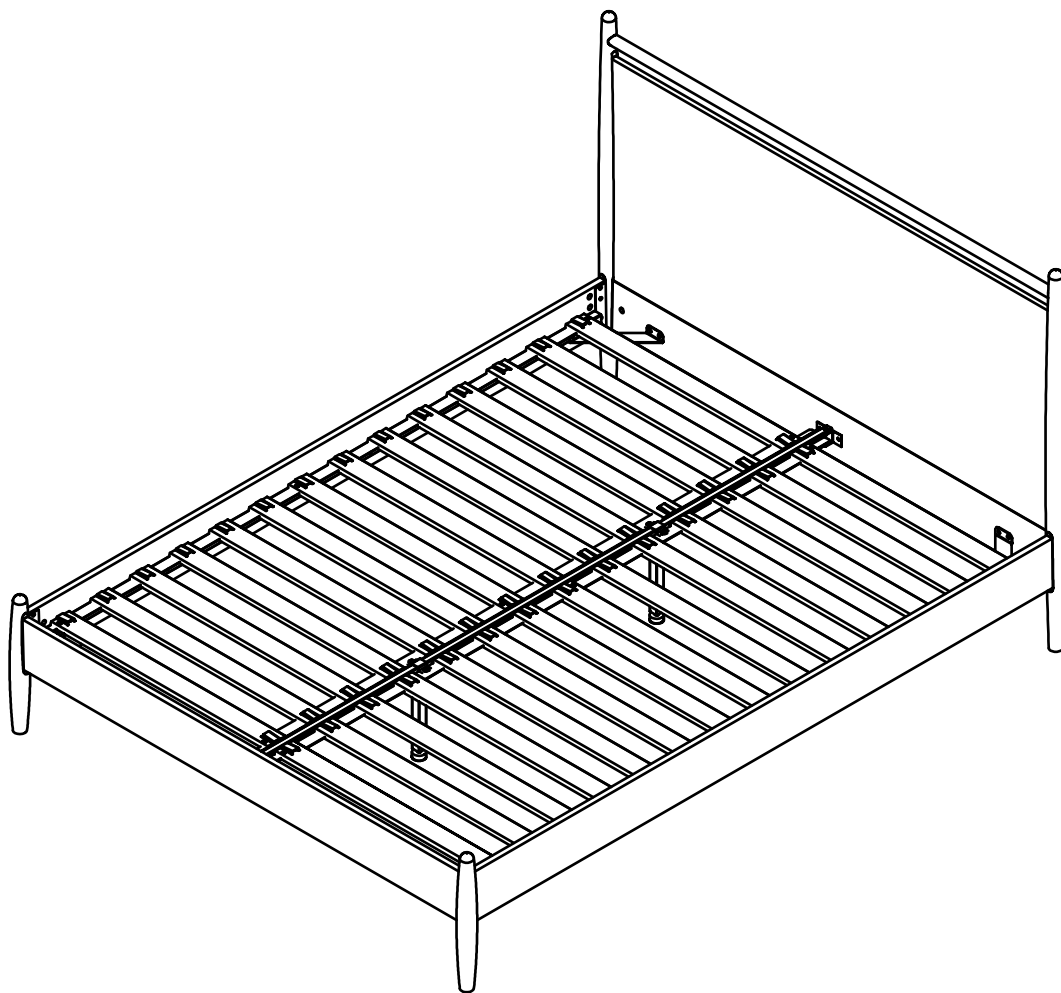


ARTICLE.

VERSION 1.0

Assembly Instructions



LENIA

Paneled Bed

ASSEMBLY INSTRUCTIONS

Read these instructions carefully and keep for future reference. Refer to parts inventory for guidance, and ensure you have all pieces before starting.

When assembling, place all parts on a soft, clean, and flat surface such as a carpet to prevent scratches.

If you're having difficulty, our friendly Customer Care team is always here to help. Call us at **1.888.746.3455** during business hours, email service@article.com or chat live at [article.com](https://www.article.com).

! Structural integrity is warranted only if all fasteners are properly installed & tightened, and the bed is moved only per instructions.



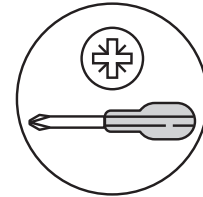
TIME



DIFFICULTY

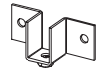

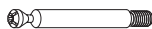



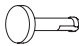
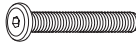


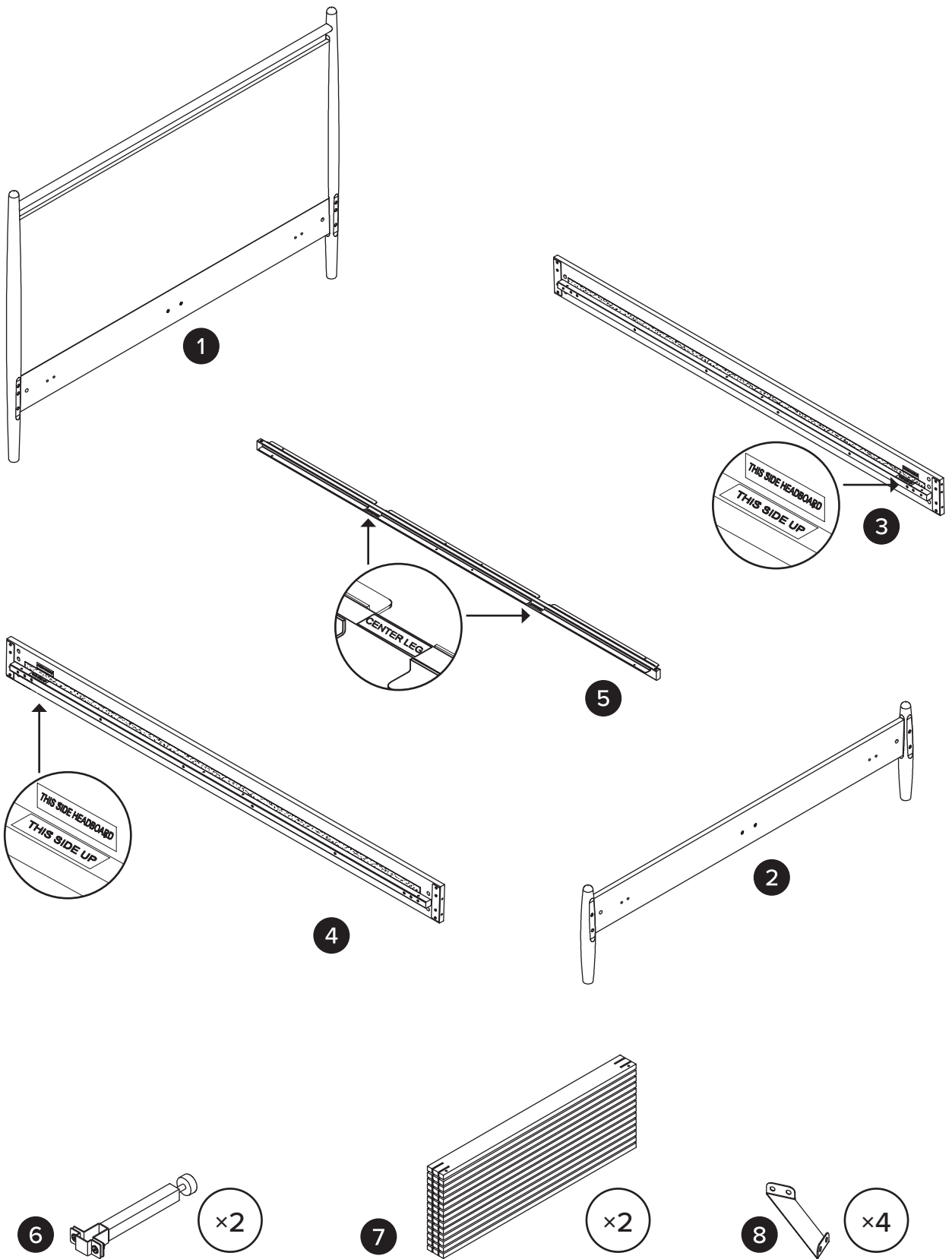
OF PEOPLE



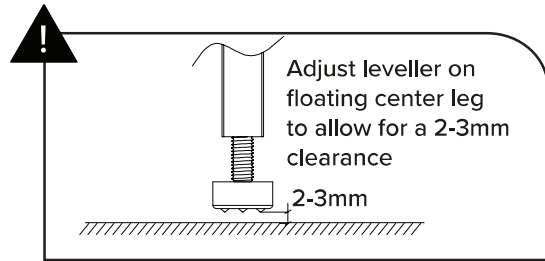
REQUIRED TOOL
Pozidriv screwdriver

PARTS INVENTORY CONT.		
ID	DESCRIPTION	QTY
1	HEADBOARD	1
2	FOOTBOARD	1
3	LEFT SIDE RAIL	2
4	RIGHT SIDE RAIL	1
5	CENTER BEAM	1
6	CENTER LEGS	2
7	SLATS	2
8	CORNER BRACKET	4

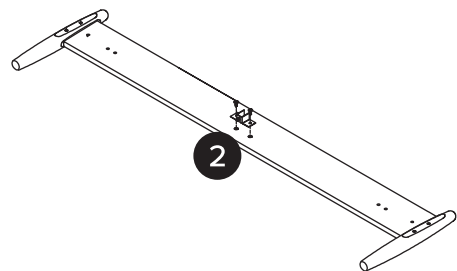
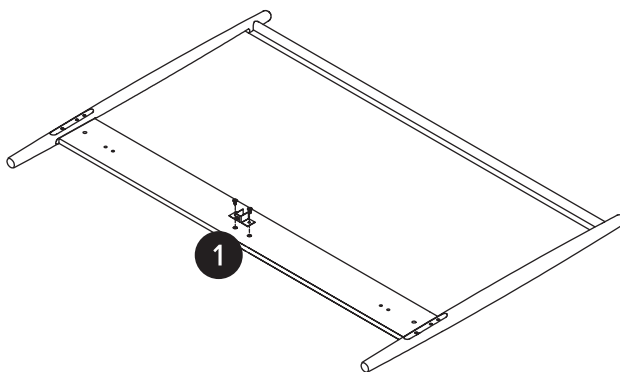
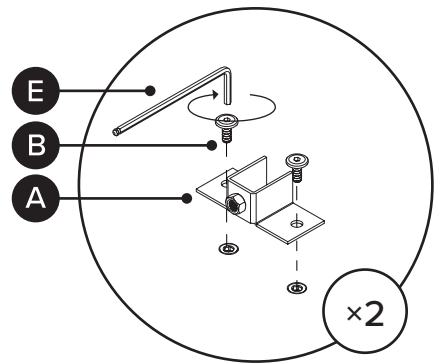
PARTS INVENTORY		
ID	DESCRIPTION	QTY
A	CENTER BEAM BRACKET 	2
B	M6 × 12MM BOLT 	20
C	COMPRESSION FITTING ANCHOR 	10
D	M8 × 8MM SCREW 	10
E	ALLEN KEY 	1
F	FELT PAD 	4
G	PLUG 	12
H	M8 × 50MM BOLT 	2



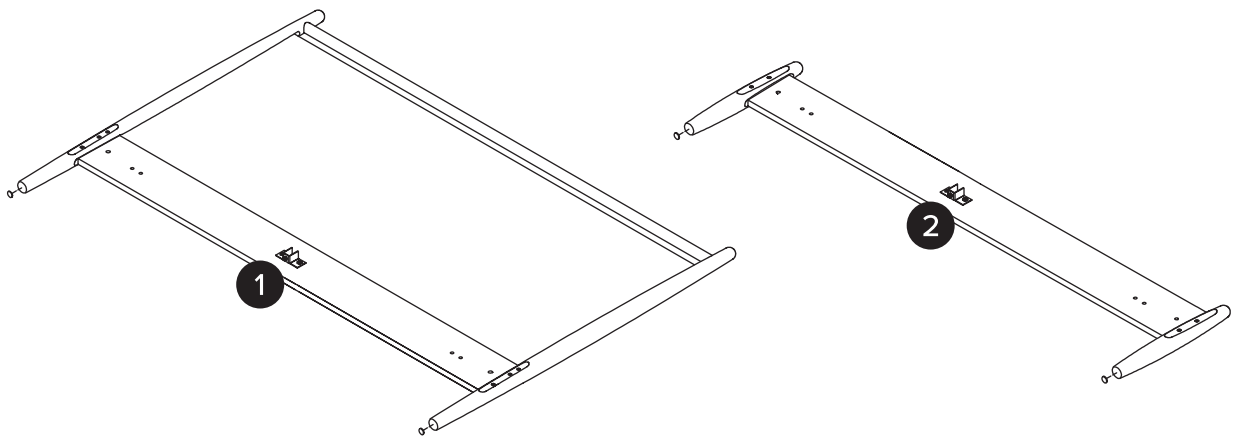
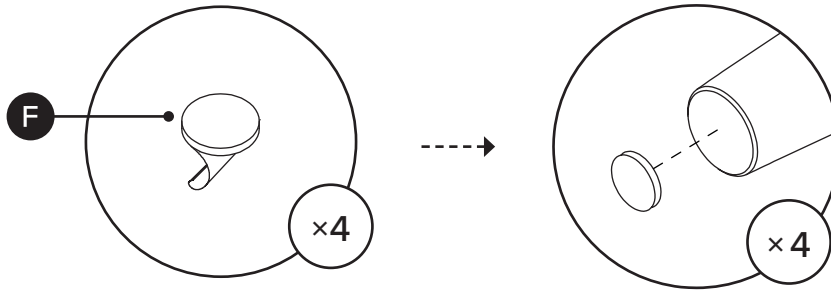
1



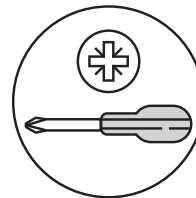
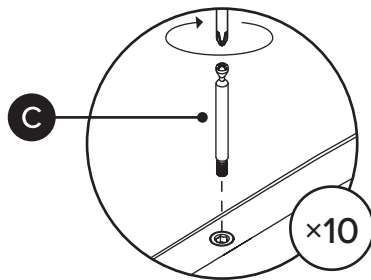
2



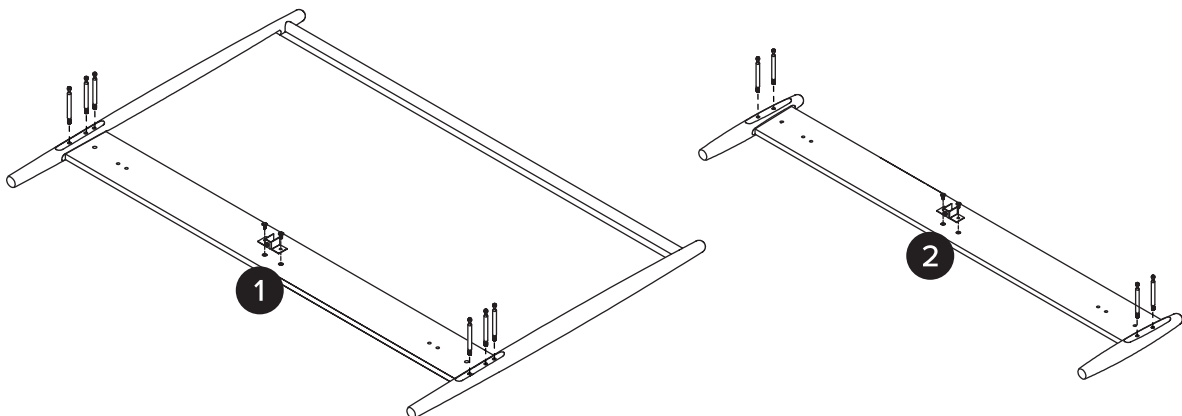
3



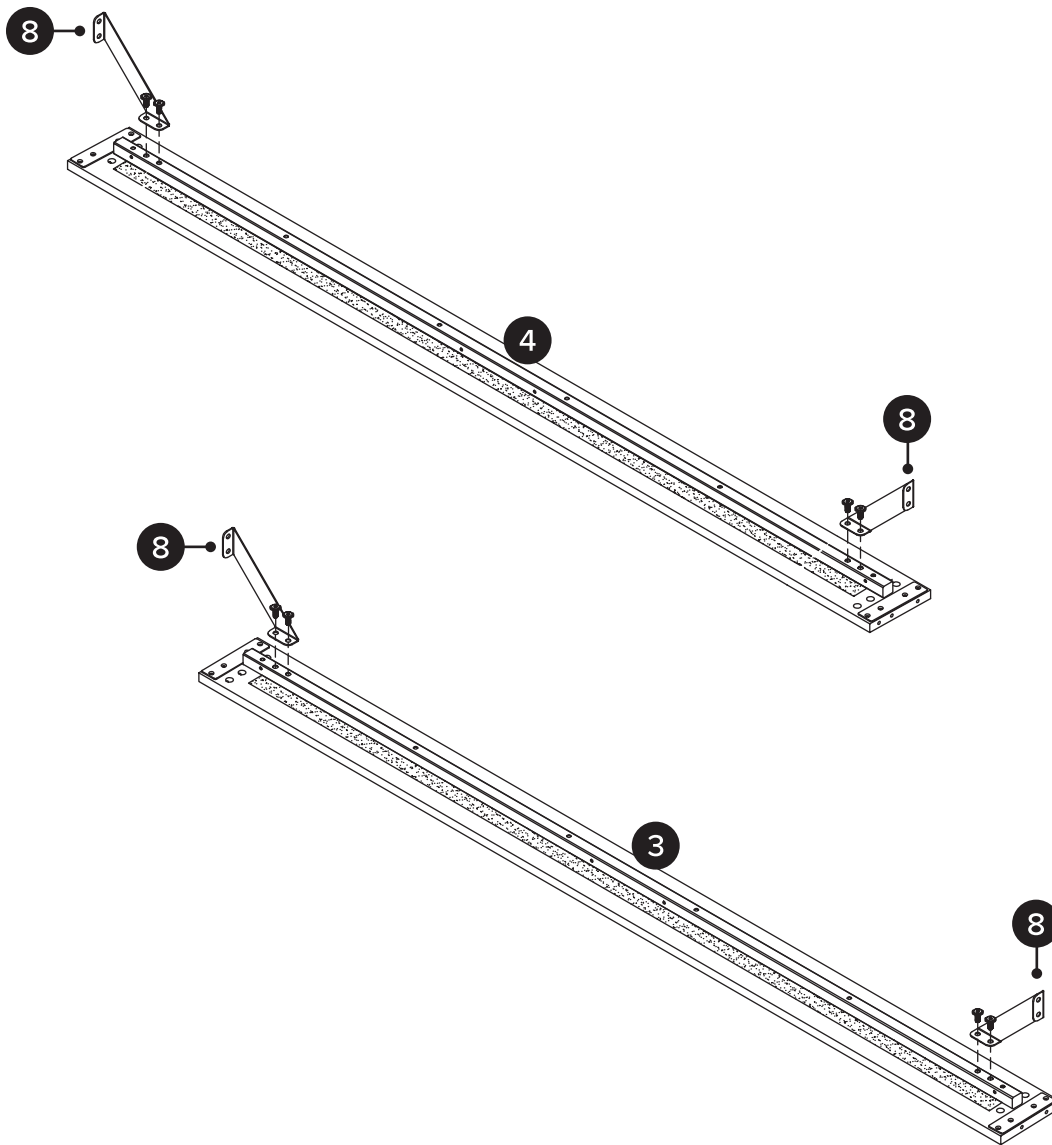
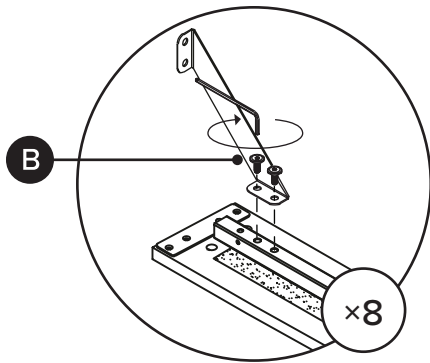
4



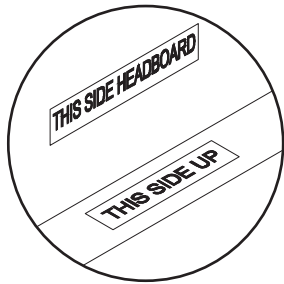
! NOT using power tool, only using the recommended hand tools.



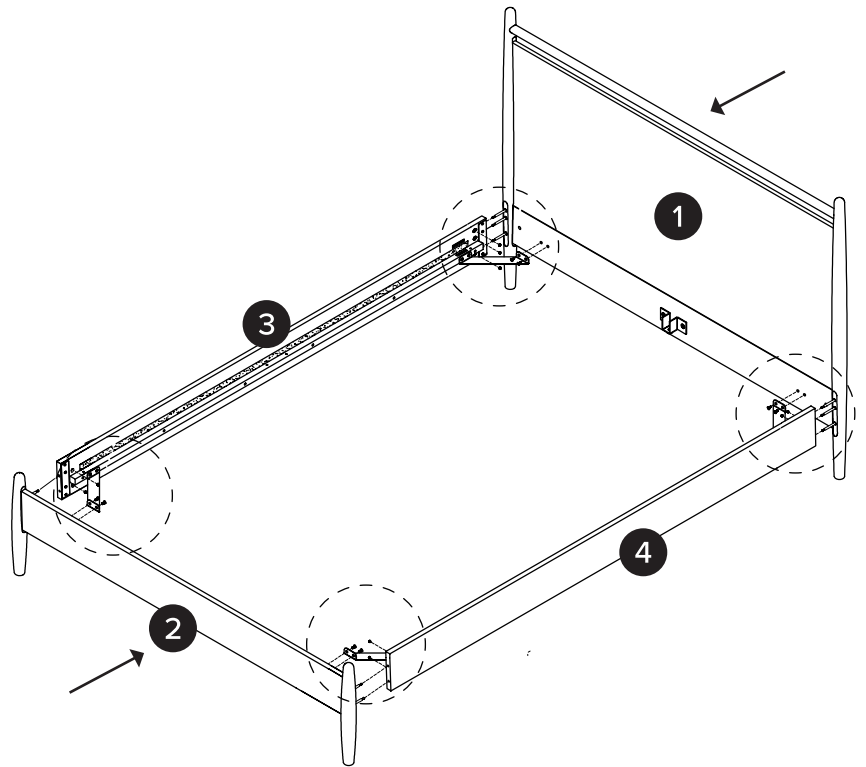
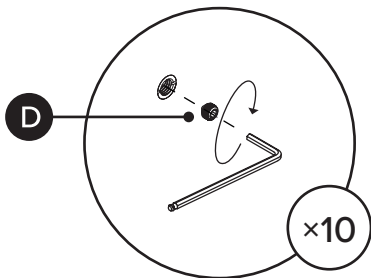
5



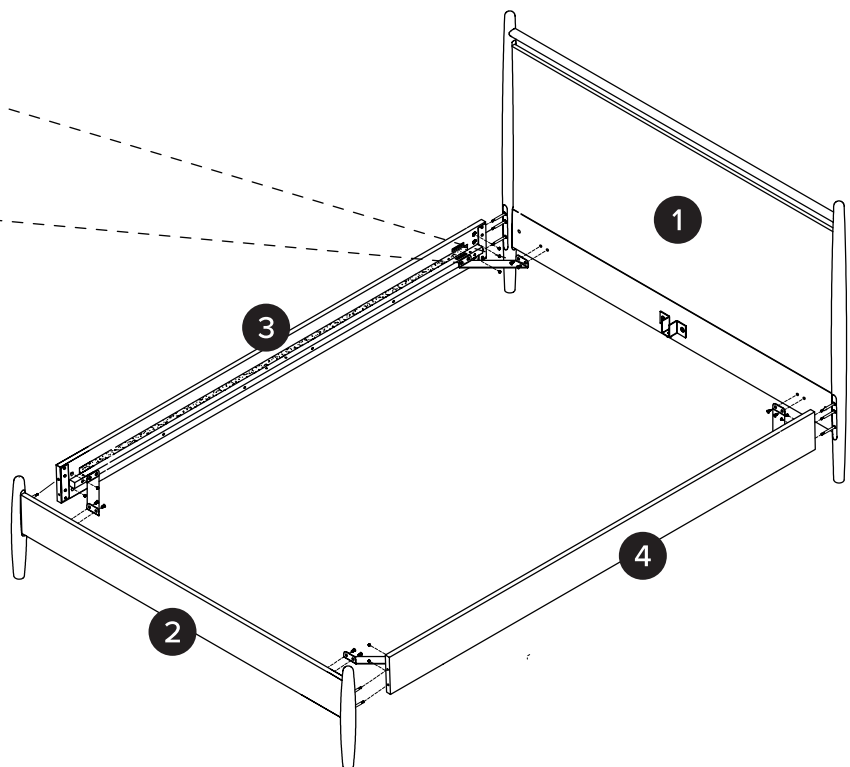
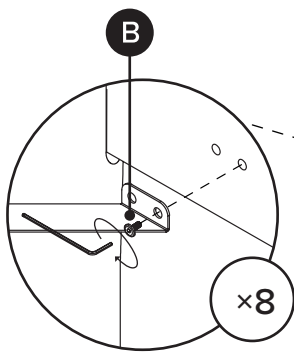
6



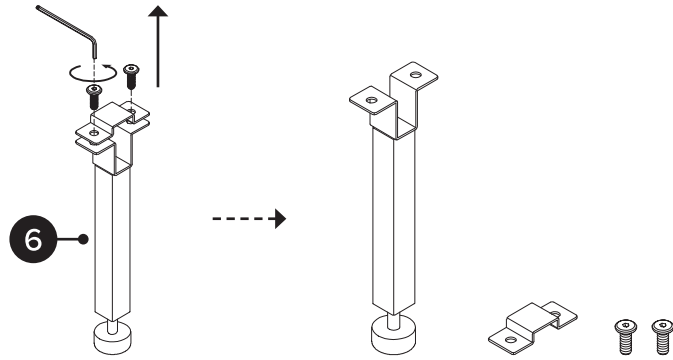
! For the side rails please read the label to connect to headboard (1).



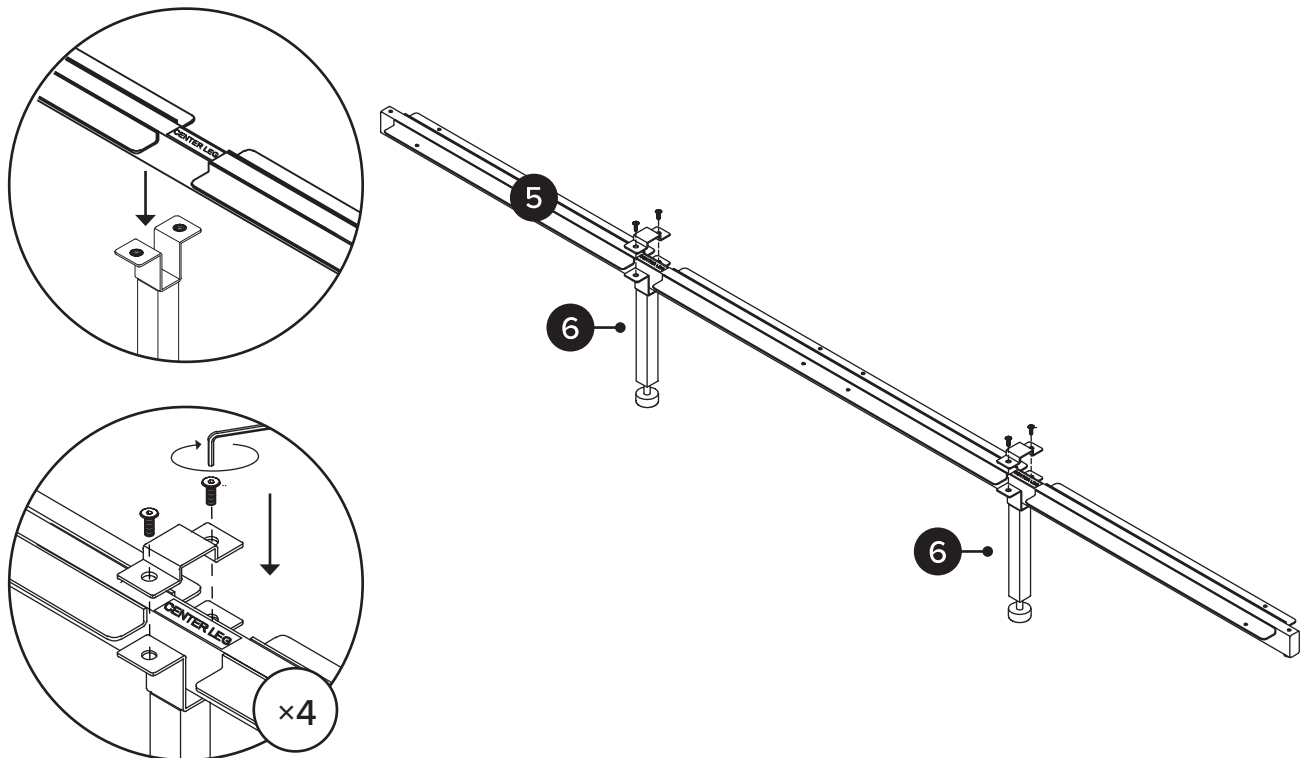
7



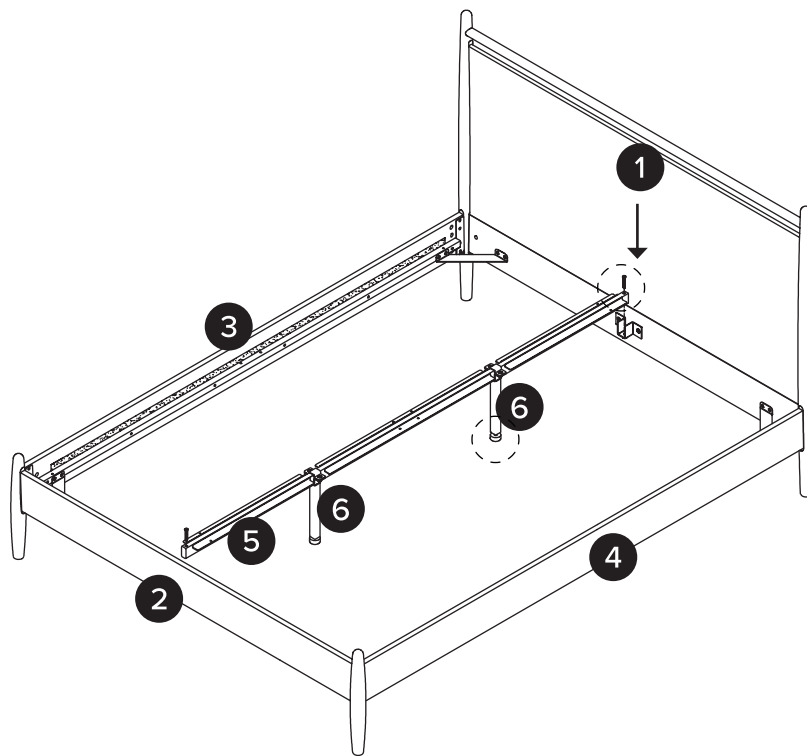
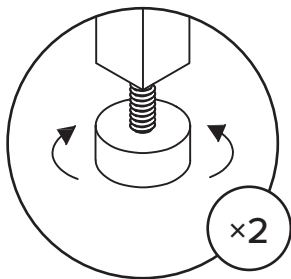
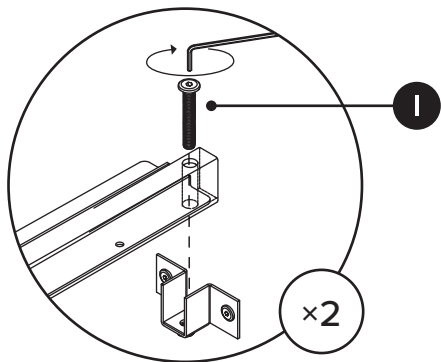
10



11



12



! Adjust levelers on floating center legs to allow for a 2-3mm clearance.

13

