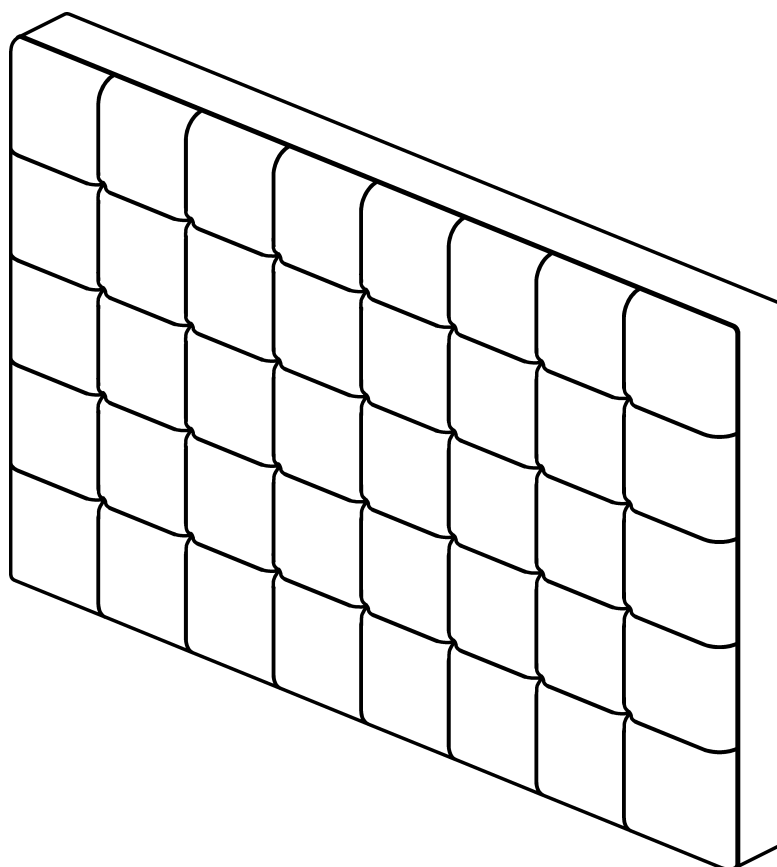


# ARTICLE.

VERSION 1.1

## Assembly Instructions



# SVEN

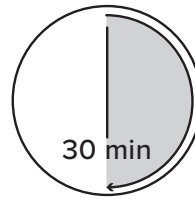
Headboard

## ASSEMBLY INSTRUCTIONS

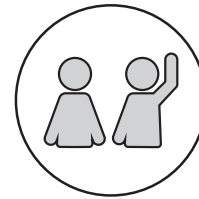
Read these instructions carefully and keep for future reference. Refer to parts inventory for guidance, and ensure you have all pieces before starting.

When assembling, place all parts on a soft, clean, and flat surface such as a carpet to prevent scratches.

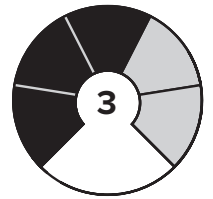
If you're having difficulty, our friendly Customer Care team is always here to help. Call us at **1.888.746.3455** during business hours, email [service@article.com](mailto:service@article.com) or chat live at [article.com](https://www.article.com).



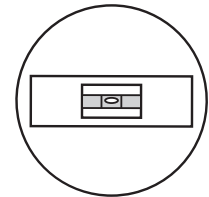
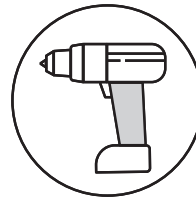
TIME






# OF PEOPLE



DIFFICULTY

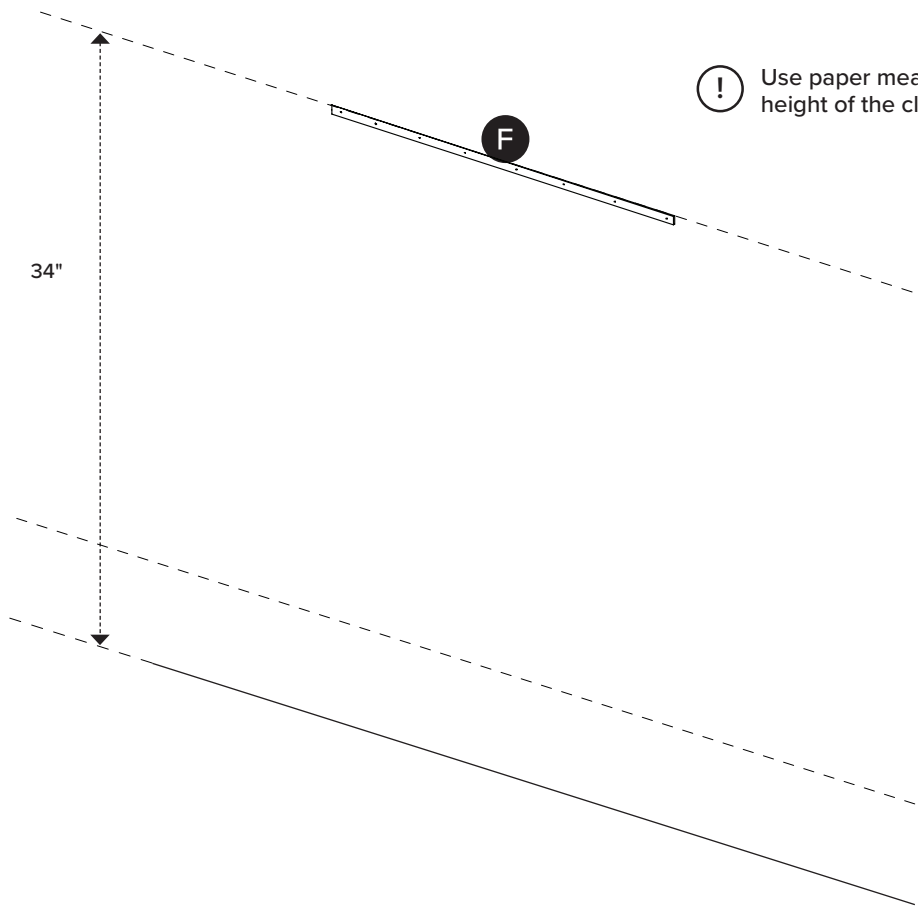


REQUIRED TOOL  
5/8" DRILL BIT

PARTS INVENTORY		
ID	DESCRIPTION	QTY
A	SVEN HEADBOARD	1
B	WOOD CLEAT	1
C	BUTTERFLY NUT 	6
D	WASHER 	6
E	BOLT 	6
F	PAPER MEASUREMENT	1

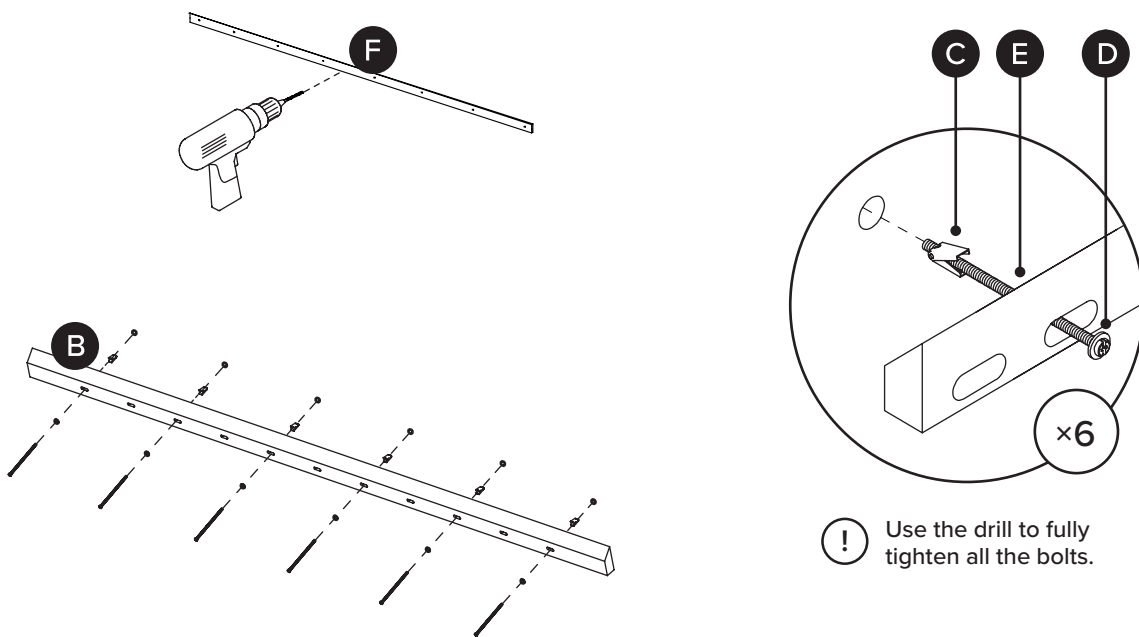
**!** NOTE : Do not exceed maximum load capacity 55lbs.

1



! Use paper measure to place height of the cleat by 34\"/>

2



! Use the drill to fully tighten all the bolts.

3

