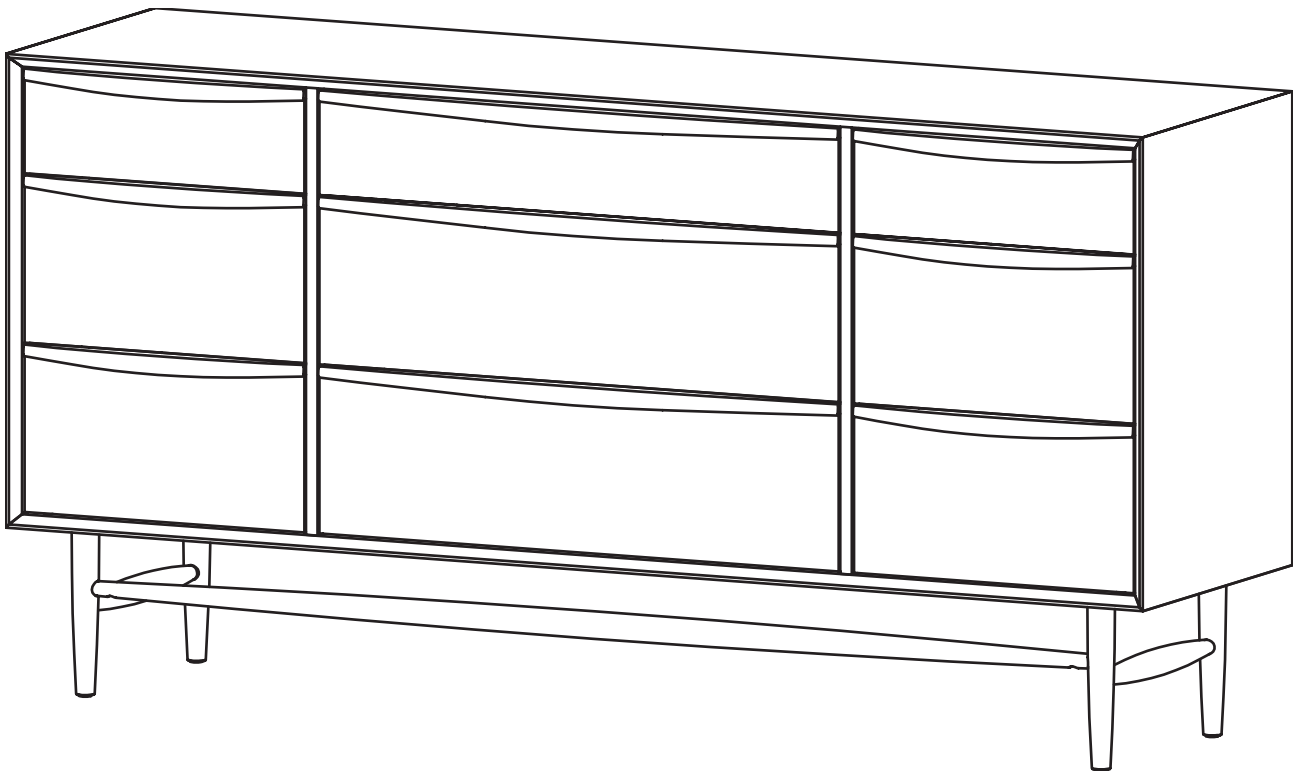


ARTICLE.

VERSION 1.1

Assembly Instructions



LENIA

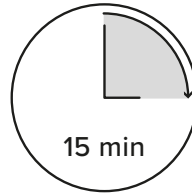
9 Drawer Dresser

ASSEMBLY INSTRUCTIONS

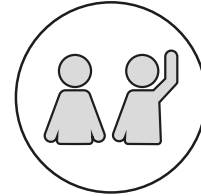
Read these instructions carefully and keep for future reference. Refer to parts inventory for guidance, and ensure you have all pieces before starting.

When assembling, place all parts on a soft, clean, and flat surface such as a carpet to prevent scratches.

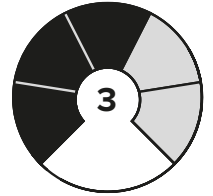
If you're having difficulty, our friendly Customer Care team is always here to help. Call us at **1.888.746.3455** during business hours, email service@article.com or chat live at [article.com](https://www.article.com).



TIME



OF PEOPLE

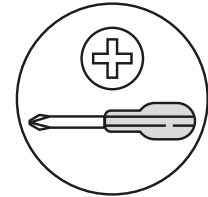


DIFFICULTY


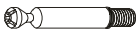





ANTI-TIP

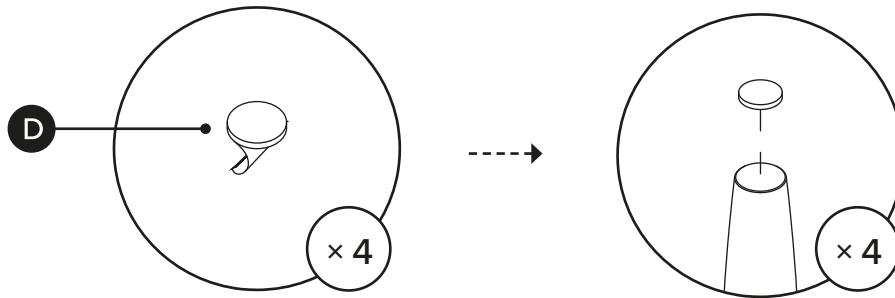
Installation Required



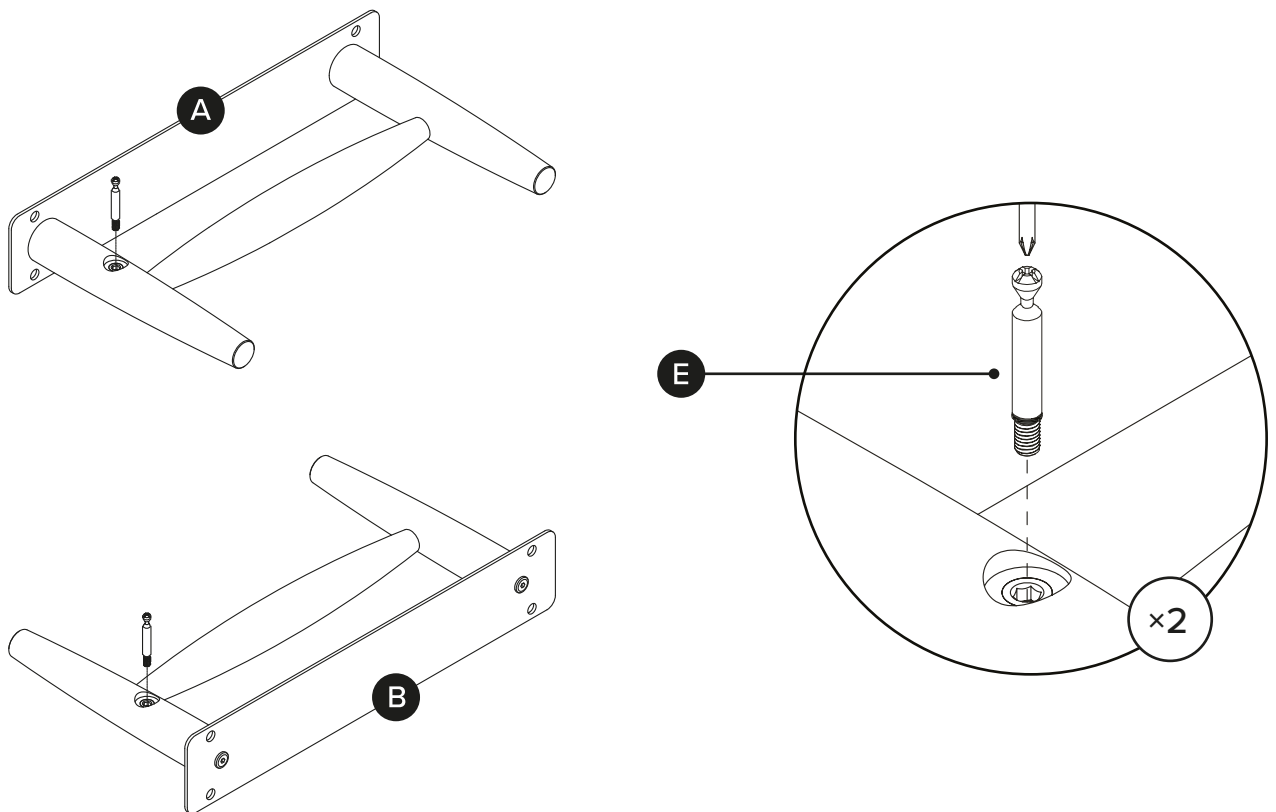
REQUIRED TOOL

PARTS INVENTORY		
ID	DESCRIPTION	QTY
A	LEFT LEG	1
B	RIGHT LEG	1
C	CROSSBAR	1
D	FELT PAD 	4
E	COMPRESSION FITTING ANCHOR 	2
F	M8 × 8MM SCREW 	2
G	M8 × 15MM BOLT 	8
H	ALLEN KEY 	1

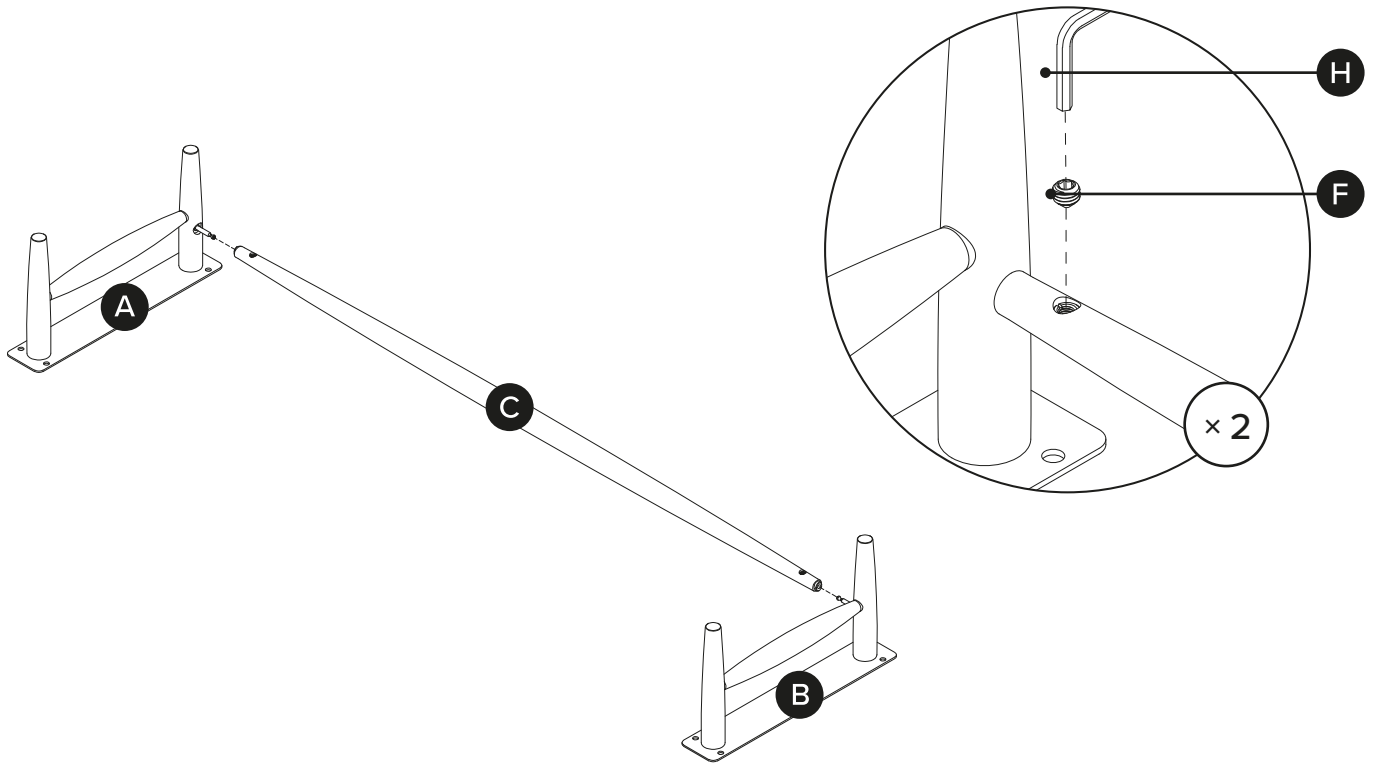
1



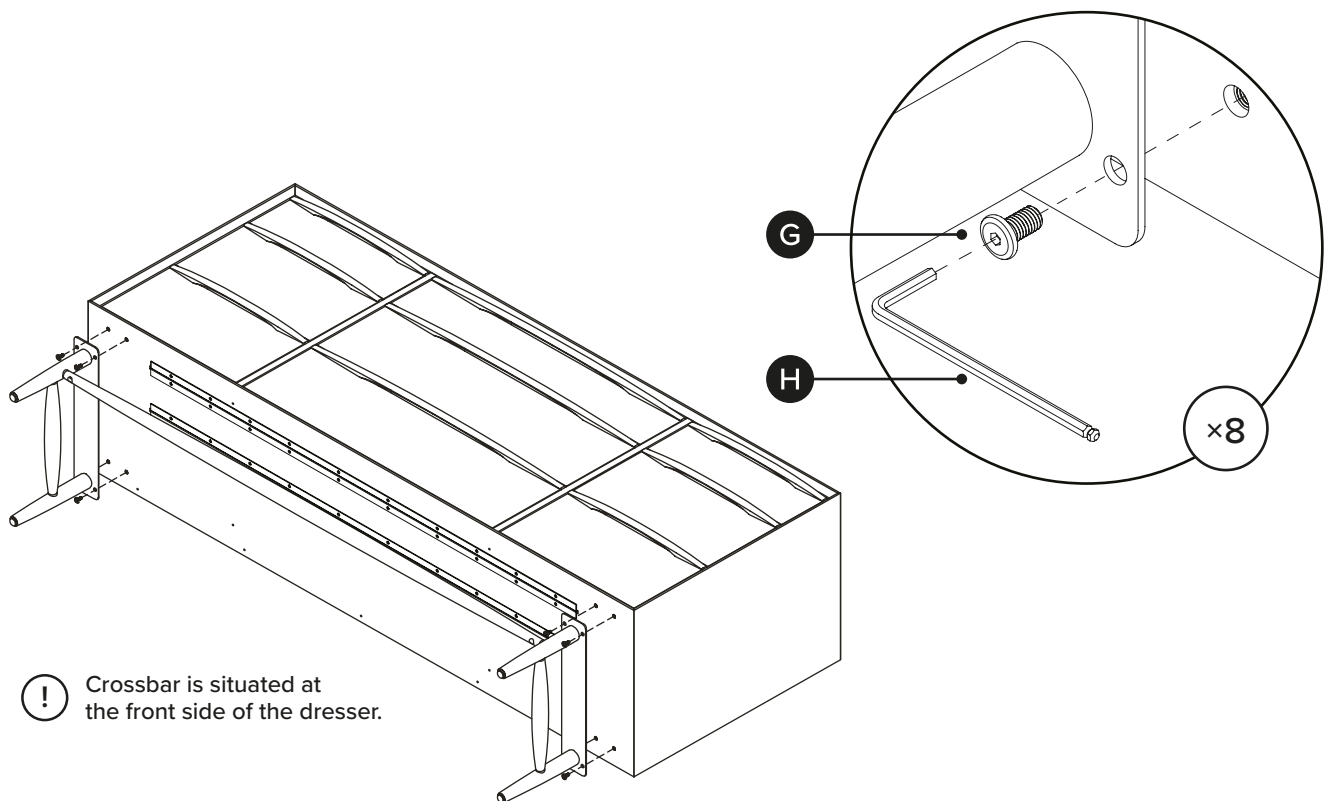
2



3

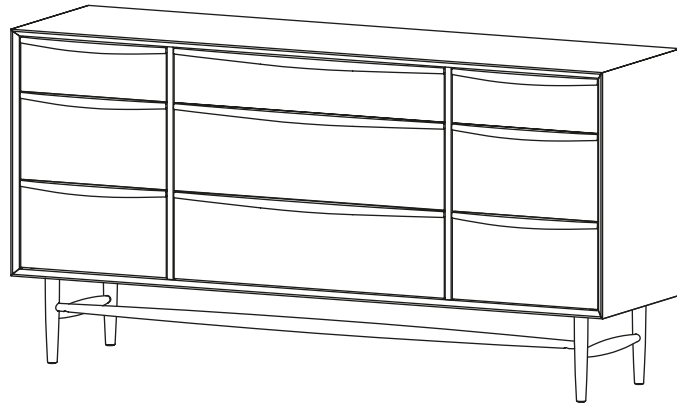


4



! Crossbar is situated at the front side of the dresser.

5



! Lift the unit upright after completing assembly



ANTI-TIP RESTRAINT INSTALLATION

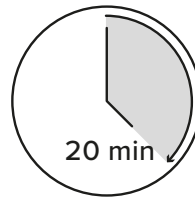
WARNING!

Children have died from furniture tipover.
To reduce the risk of furniture tipover:

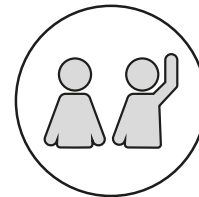
- ALWAYS install tipover restraint provided.
- NEVER put a TV on this product.
- NEVER allow children to stand, climb or hang on drawers, doors, or shelves.
- NEVER open more than one drawer at a time.
- Place heaviest items in the lower drawers.

Attaching furniture to wall with anti-tip kits:

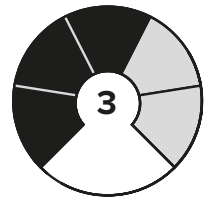
- Determine where the piece is to be placed and mark location on the wall for the mounting bracket screw holes. They should be placed approximately below the top on the back piece of furniture.
- Drill the hole and use the appropriate wall plug that is suitable for your walls composition.
- Attach the mounting bracket vertically to the wall using appropriate fastener, through the holes in the bracket and 2 wall plugs that are suitable to your wall and then tighten securely.
- Next using the short screws attach the 2nd bracket to the back of the piece of furniture's top.
- Lace the nylon strap down through the brackets. Slide the thin end of the strap through the receiving end on the nylon strap. Pull to tighten the piece of furniture snug against the wall.



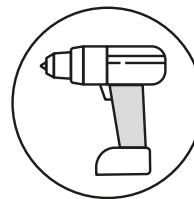
TIME



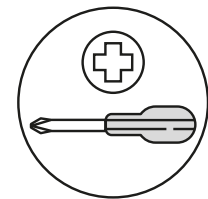
OF PEOPLE




DIFFICULTY



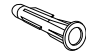
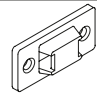


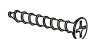
REQUIRED TOOL
8MM / 5/16" DRILL BIT



REQUIRED TOOL

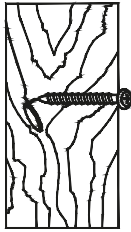
 To prevent injury and property damage from unexpected tipping of furniture, we highly recommend installation of the anti-tip kit included with this product.

PARTS INVENTORY

ID	DESCRIPTION	QTY
A	M8 × 51MM PLUG 	4
B	MOUNTING PLATE 	4
C	NYLON STRAP 	2
D	M4 × 17MM SCREW 	4
E	M6 × 70MM SCREW 	4

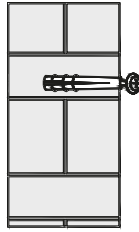
i

Wood



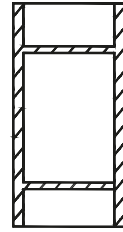
If fixing to wood make sure that is not chipboard as screws can easily pull away from the core structure.

Brick or Masonry



Use an appropriate wall plug provided you are sure your wall is sound.

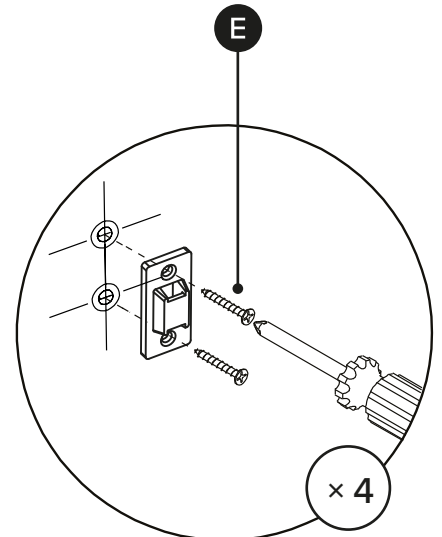
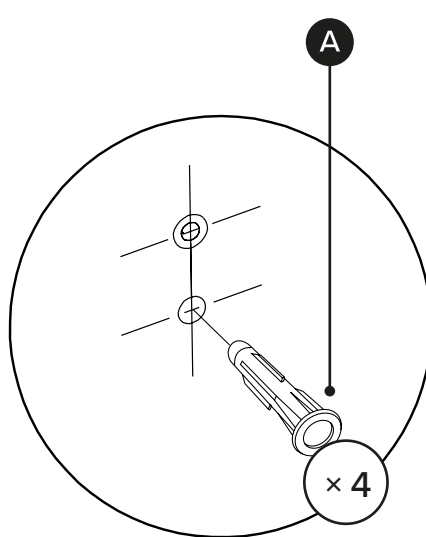
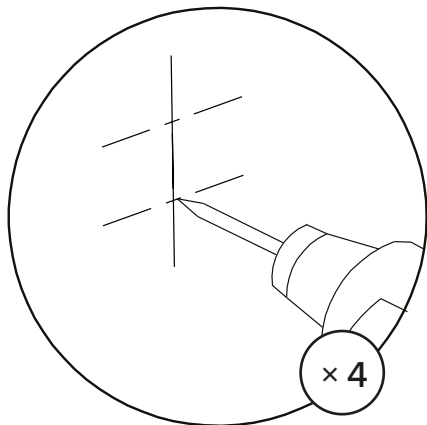
Cavity Wall



Special toggle wall plugs are needed. Seek expert advice.

1

! Before drilling check wall for hidden pipes and cables.

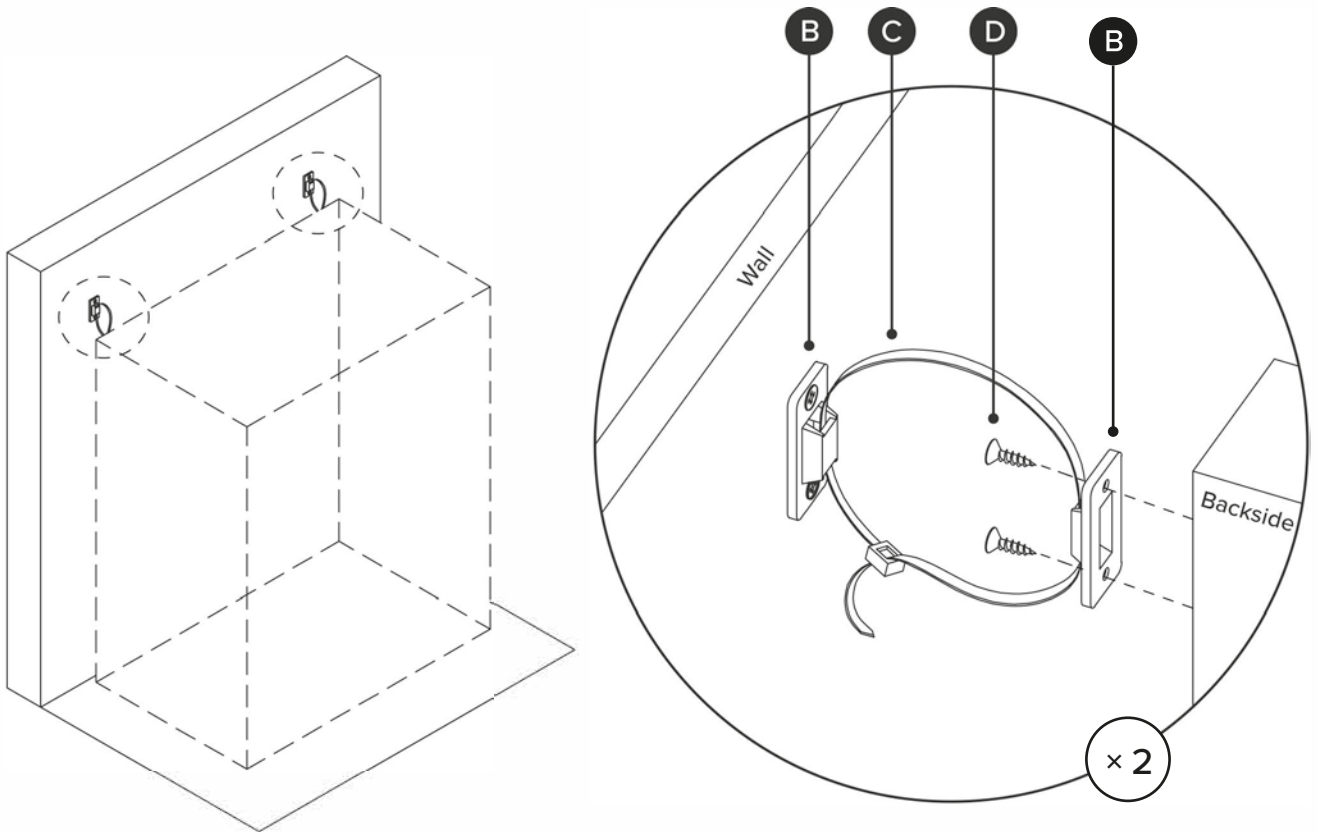


Drill holes in wall using 8mm / 5/16" drill bit.

2

! CARE INSTRUCTIONS :

1. Hardware may loosen overtime. Periodically check that all connections are tight and re-tighten as necessary.
2. Wipe with a soft, dry cloth. To protect finish, avoid the use of chemicals and household cleaner.



Pull strap down until it snap-locks.

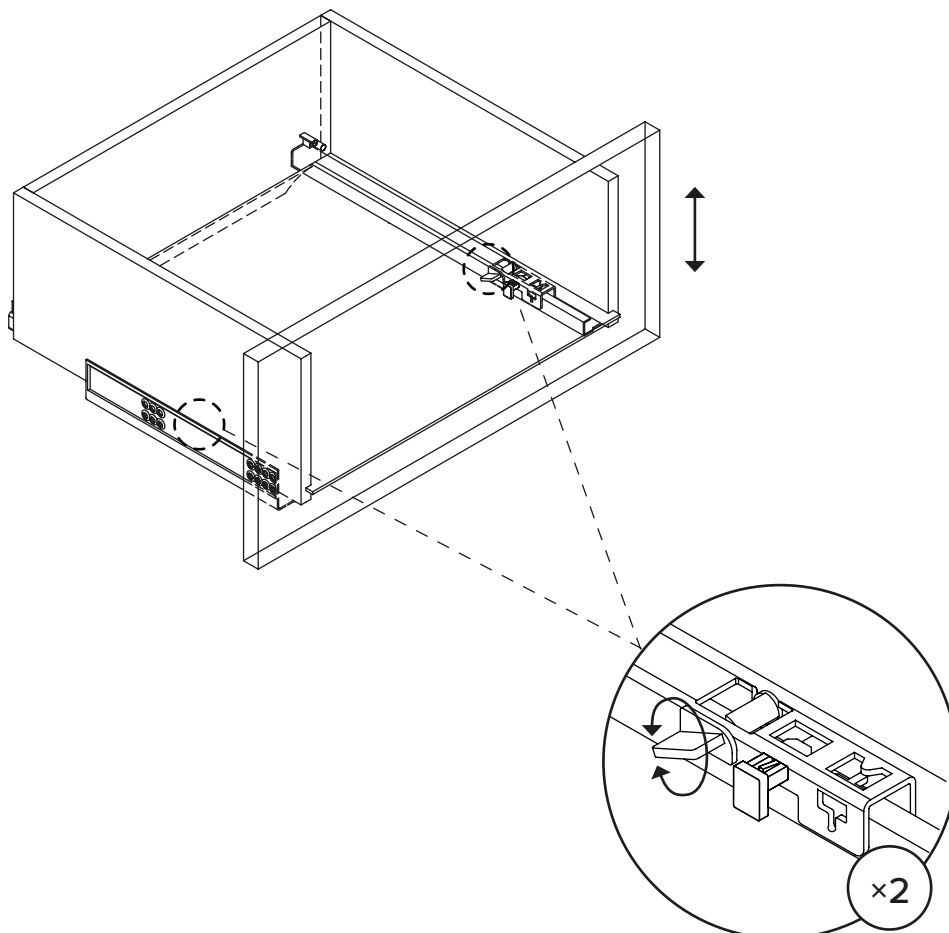
SOFT CLOSING DRAWERS

ADJUSTMENT INSTRUCTIONS



Structural integrity is warranted only if all fasteners are properly installed & tightened, and the bed is moved only per instructions.

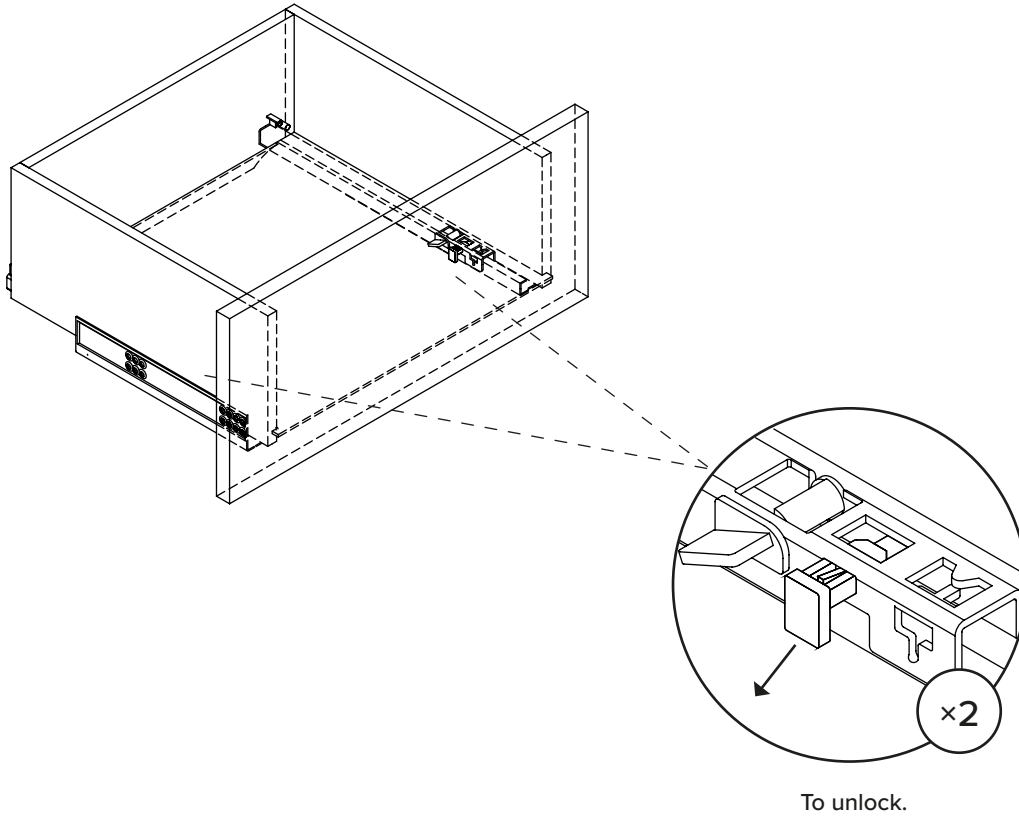
FIXED A CROOKED DRAWER



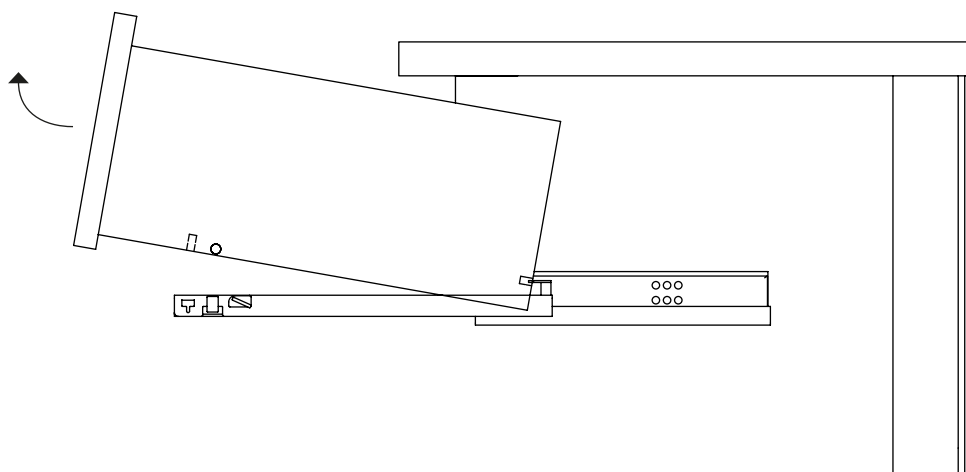
Adjust levelers on either side of drawer as needed to straighten drawer.

1

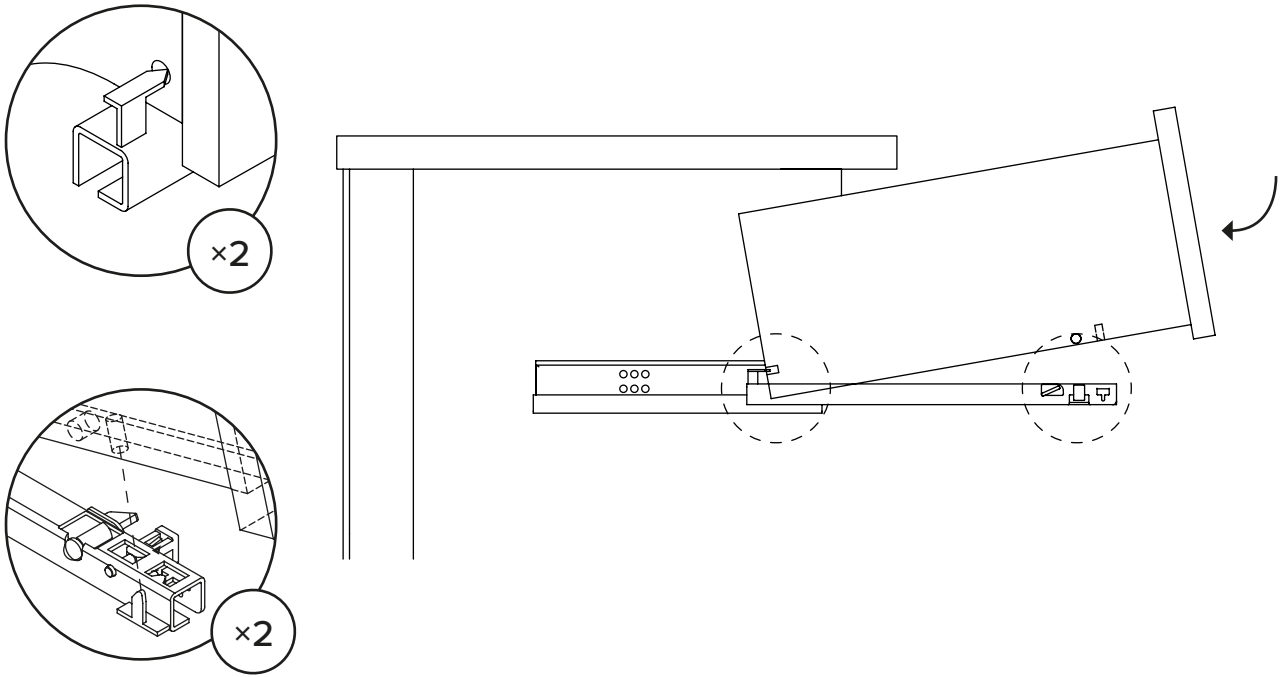
REMOVE DRAWER



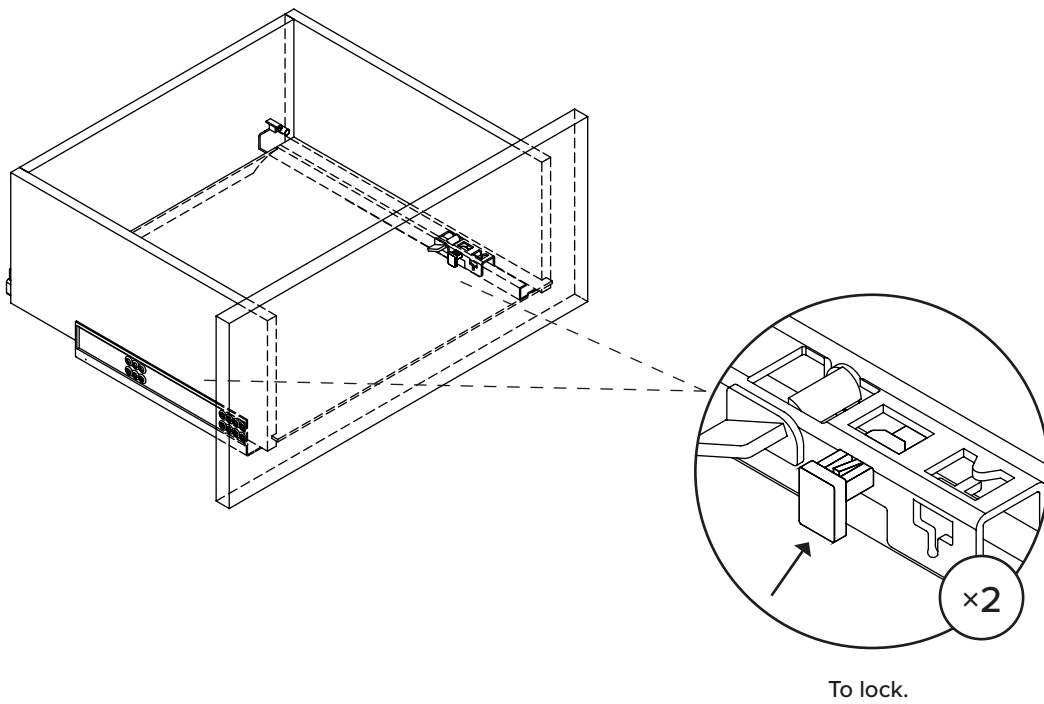
2



1 — INSTALL DRAWER



2






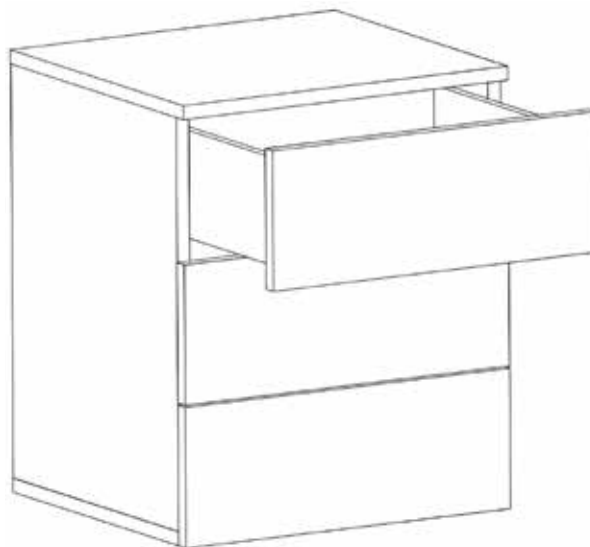
ANTI-TIP INTERLOCK INSTALLATION

WARNING!

Children have died from furniture tipover.
To reduce the risk of furniture tipover:

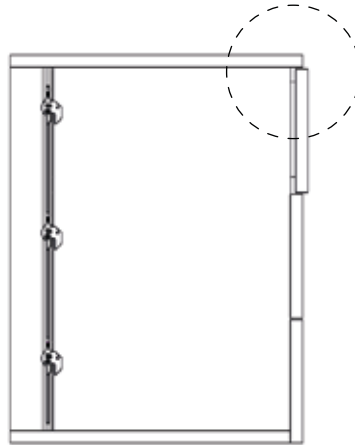
- ALWAYS install anti-tip device provided.
- NEVER put a TV on this product.
- NEVER allow children to stand, climb or hang on any drawers, doors, or shelves.
- NEVER open more than one drawer at a time.
- DO NOT defeat or remove the drawer interlock system; it is an important stability and safety system.
- Place heaviest items in the lower drawers.

 **NOTE:** This product has an anti-tip mechanism. This means one drawer can only be opened at a time. Opening multiple drawers forcibly at the same time will cause damage to the product and make the safety measure of the anti-tip mechanism disengaged.

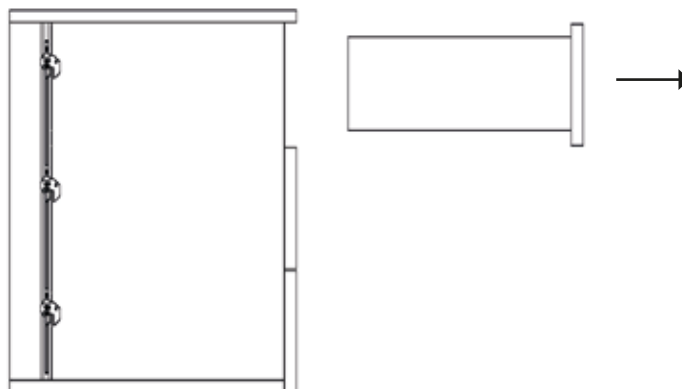




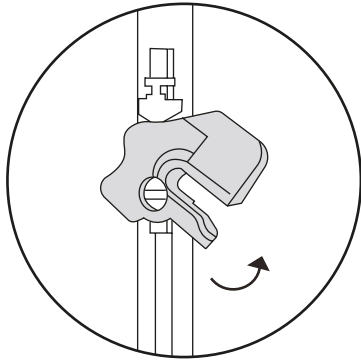
! If any interlock at any drawers are disengaged - It means the drawers can't be closed properly.



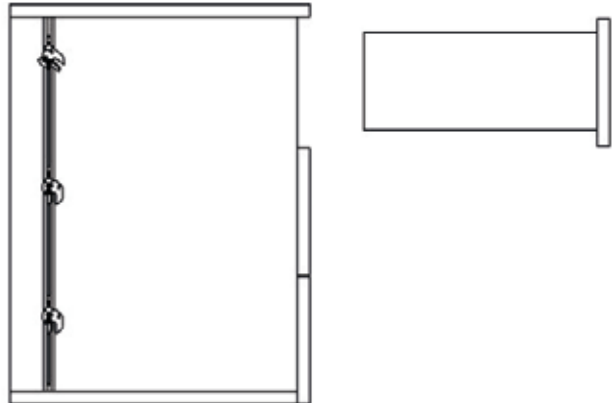
Take the disengaged drawer out. (Please refer to the main assembly instruction above.)



2

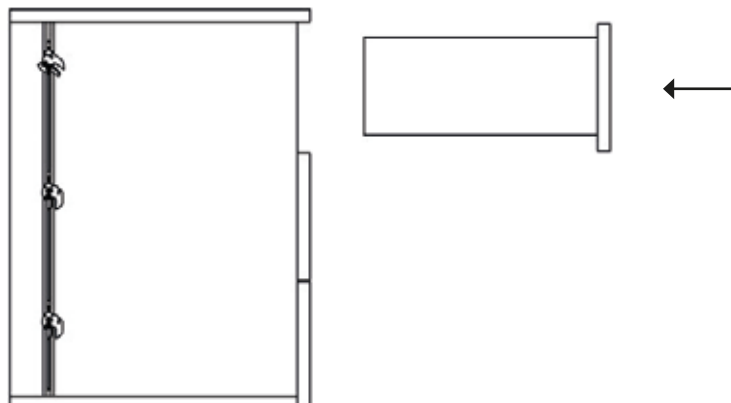


Open the peg of the interlock to the position shown above.



3

Put the drawer back into position.



If more than 1 drawers are disengaged, simply repeat the above steps until all drawers are in place.