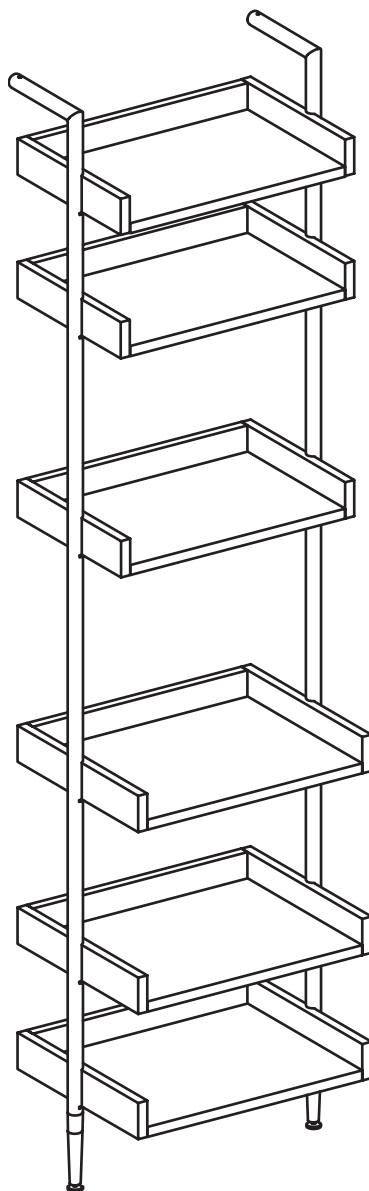


# ARTICLE.

VERSION 1.0

## Assembly Instructions



# NEWBERRY

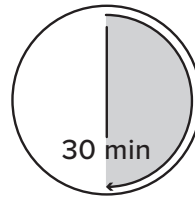
Bookcase

## ASSEMBLY INSTRUCTIONS

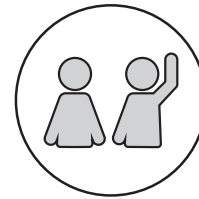
Read these instructions carefully and keep for future reference. Refer to parts inventory for guidance, and ensure you have all pieces before starting.

When assembling, place all parts on a soft, clean, and flat surface such as a carpet to prevent scratches.

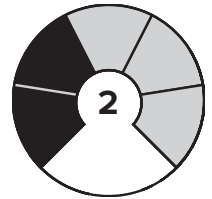
If you're having difficulty, our friendly Customer Care team is always here to help. Call us at **1.888.746.3455** during business hours, email [service@article.com](mailto:service@article.com) or chat live at [article.com](https://www.article.com).



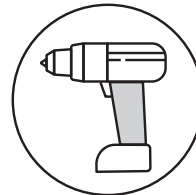
TIME



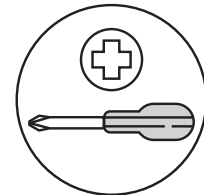
# OF PEOPLE



DIFFICULTY

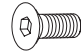


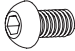
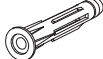



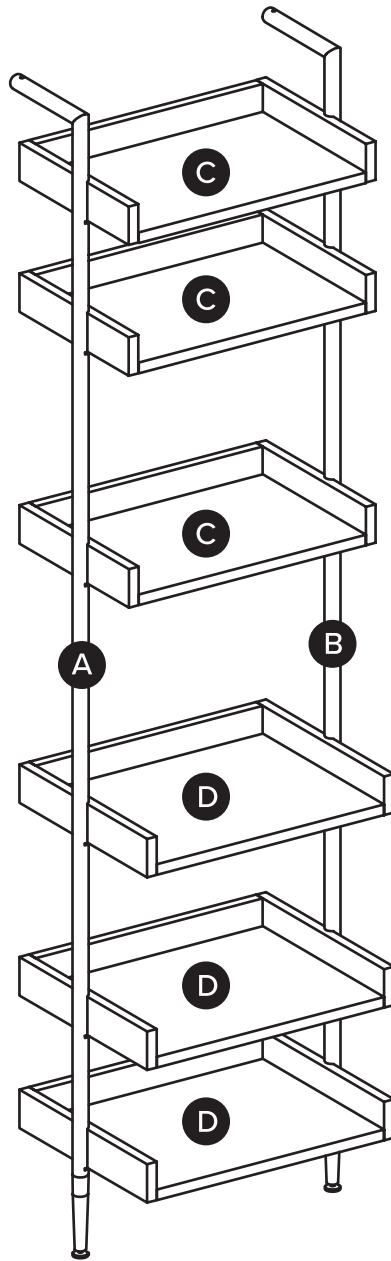
REQUIRED TOOL  
8MM / 5/16" DRILL BIT



REQUIRED TOOL

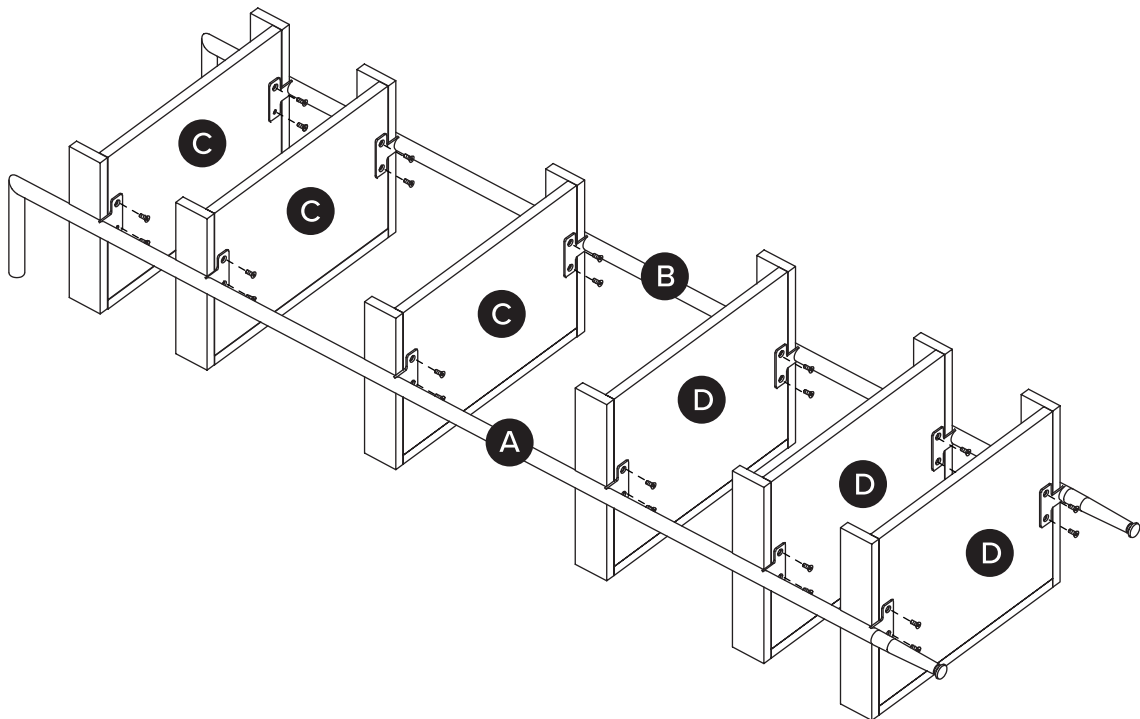
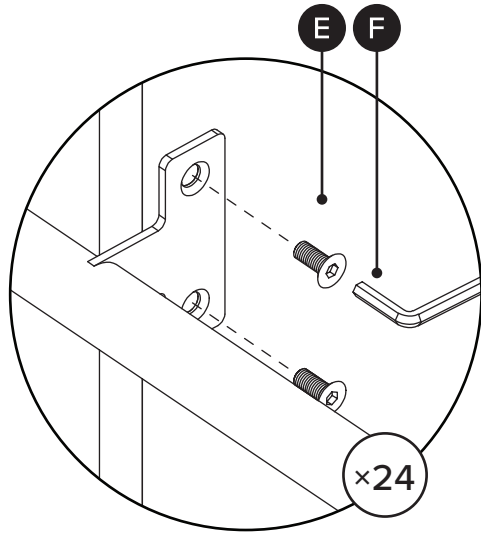
| PARTS INVENTORY |             |     |
|-----------------|-------------|-----|
| ID              | DESCRIPTION | QTY |
| <b>A</b>        | LEFT LEG    | 1   |
| <b>B</b>        | RIGHT LEG   | 1   |
| <b>C</b>        | UPPER SHELF | 3   |
| <b>D</b>        | LOWER SHELF | 3   |

| PARTS INVENTORY CONT. |   |     |
|-----------------------|---|-----|
| ID                    | DESCRIPTION   | QTY |
| <b>E</b>              | M6 X 15MM BOLT   | 24  |
| <b>F</b>              | ALLEN KEY        | 1   |
| <b>G</b>              | METAL BRACKET    | 2   |
| <b>H</b>              | M6 X 20MM BOLT   | 2   |
| <b>I</b>              | M8 X 51MM PLUG   | 2   |
| <b>J</b>              | M6 X 60MM SCREW  | 2   |

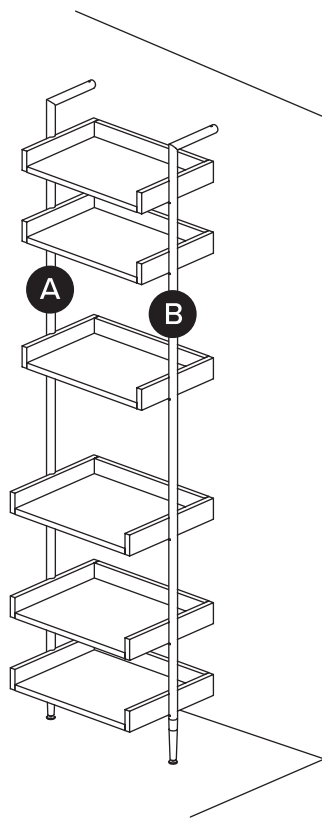


1

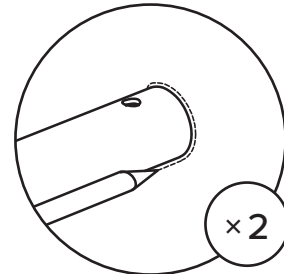
! Use allen key (F) to insert bolts (E) to secure upper shelves (C) and lower shelves (D).



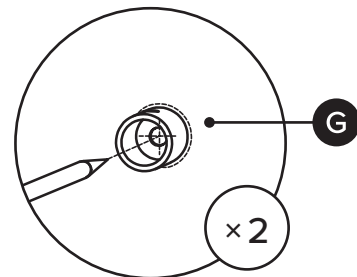
2



! Place unit in desired location (where holes should be drilled). Make a circle around it.

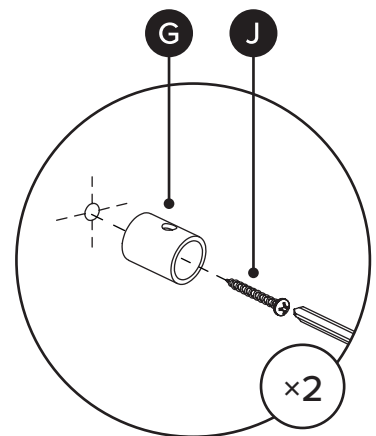
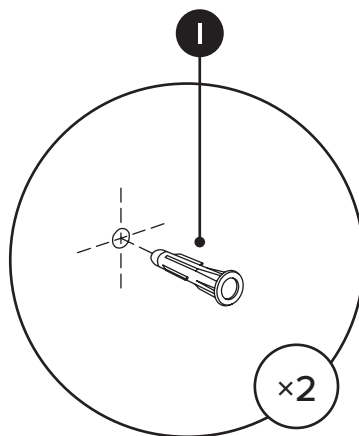
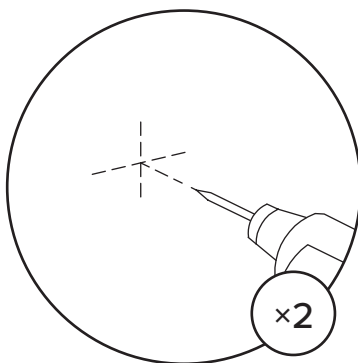


! Place unit (G) in the position just created the circle and mark on wall where holes should be drilled.



3

Drill holes into drywall, insert wall plugs (I) and attach brackets to wall with screw (J).



4

! Insert bolt (H) to attach brackets to top legs from above.

