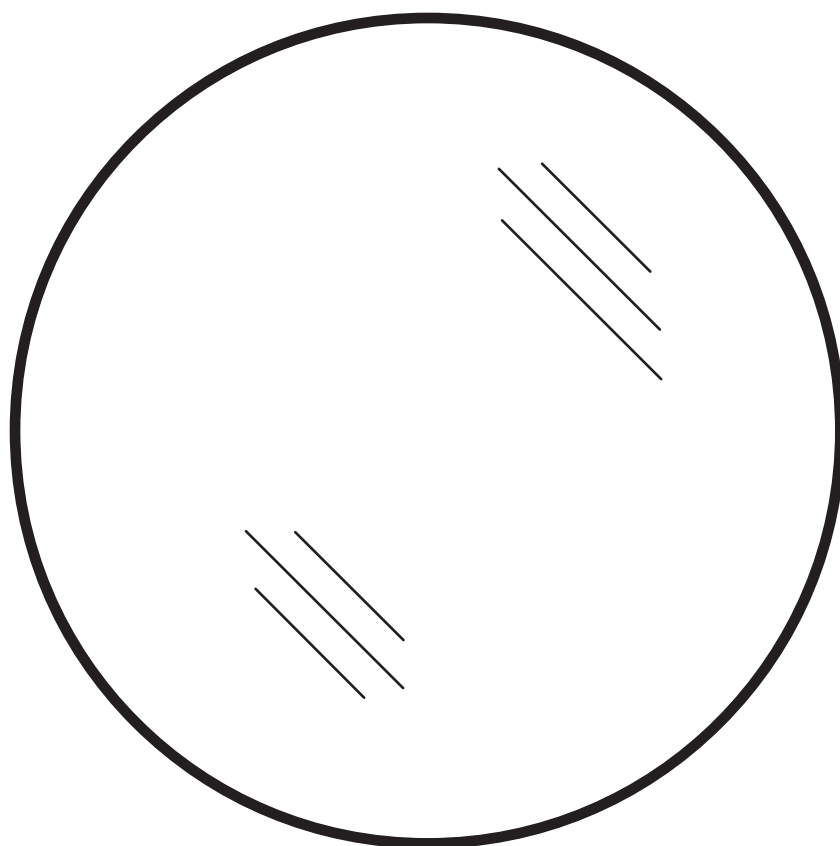


# ARTICLE.

VERSION 1.0

## Assembly Instructions



# MANSFIELD

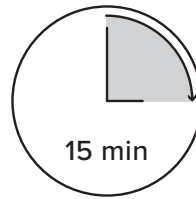
Round Wall Mirror

## ASSEMBLY INSTRUCTIONS

Read these instructions carefully and keep for future reference. Refer to parts inventory for guidance, and ensure you have all pieces before starting.

When assembling, place all parts on a soft, clean, and flat surface such as a carpet to prevent scratches.

If you're having difficulty, our friendly Customer Care team is always here to help. Call us at **1.888.746.3455** during business hours, email [service@article.com](mailto:service@article.com) or chat live at [article.com](https://www.article.com).

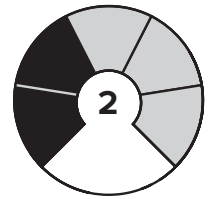


15 min

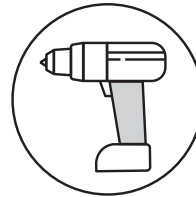
TIME



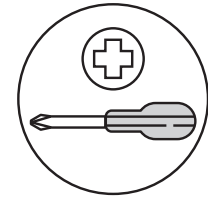
# OF PEOPLE




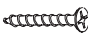
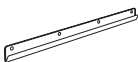
DIFFICULTY



REQUIRED TOOL  
8MM / 5/16" DRILL BIT



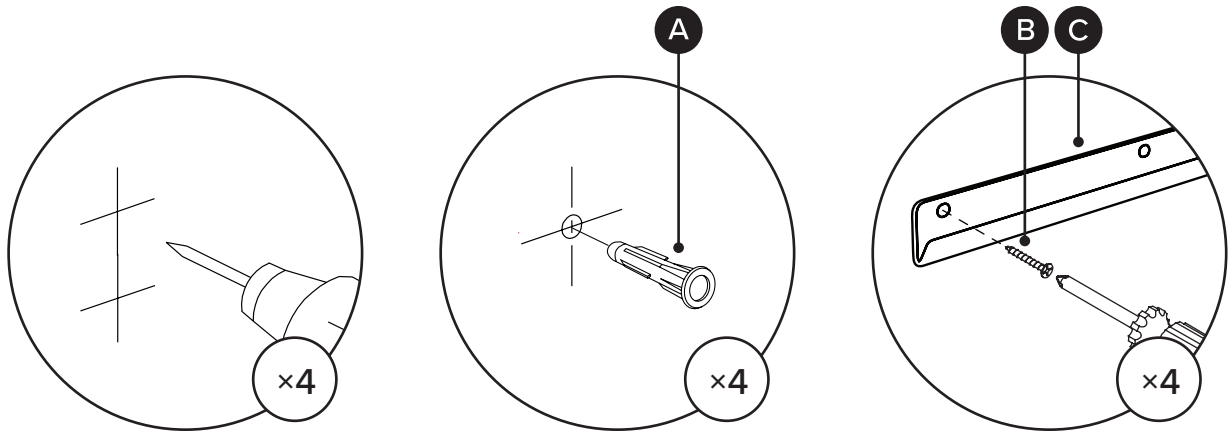
REQUIRED TOOL

PARTS INVENTORY		
ID	DESCRIPTION	QTY
<b>A</b>	PLASTIC WALL ANCHOR 	4+1
<b>B</b>	M4 × 40MM SCREW 	4+1
<b>C</b>	WALL MOUNT PLATE 	1



Hardware (A/B/C) to attach brackets to wall is designed for drywall. To attach this unit to another type of wall, consult with your local hardware store.

1



2

! Hang the mirror on the wall mount plate. Ensure that mirror can not slide left or right.

