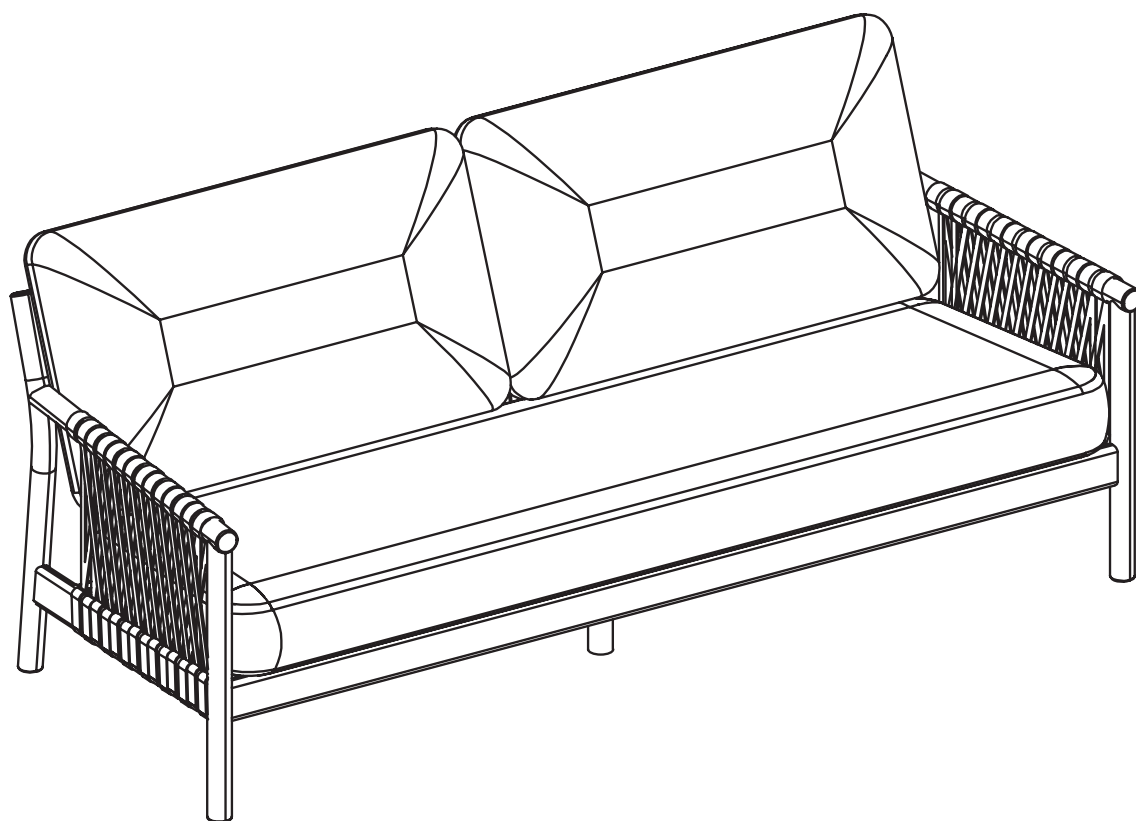


ARTICLE.

VERSION 1.0

Assembly Instructions



ROSA

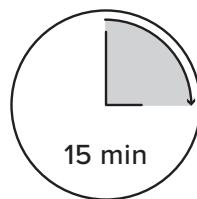
Sofa

ASSEMBLY INSTRUCTIONS

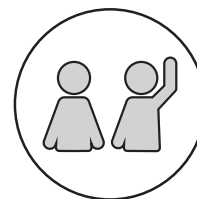
Read these instructions carefully and keep for future reference. Refer to parts inventory for guidance, and ensure you have all pieces before starting.

When assembling, place all parts on a soft, clean, and flat surface such as a carpet to prevent scratches.

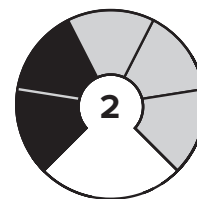
If you're having difficulty, our friendly Customer Care team is always here to help. Call us at **1.888.746.3455** during business hours, email service@article.com or chat live at [article.com](https://www.article.com).



TIME



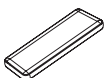
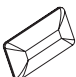
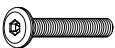



OF PEOPLE

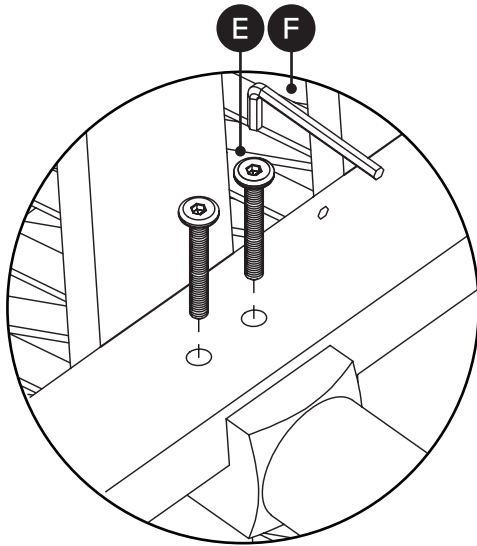


DIFFICULTY

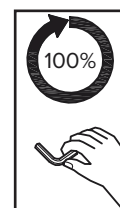
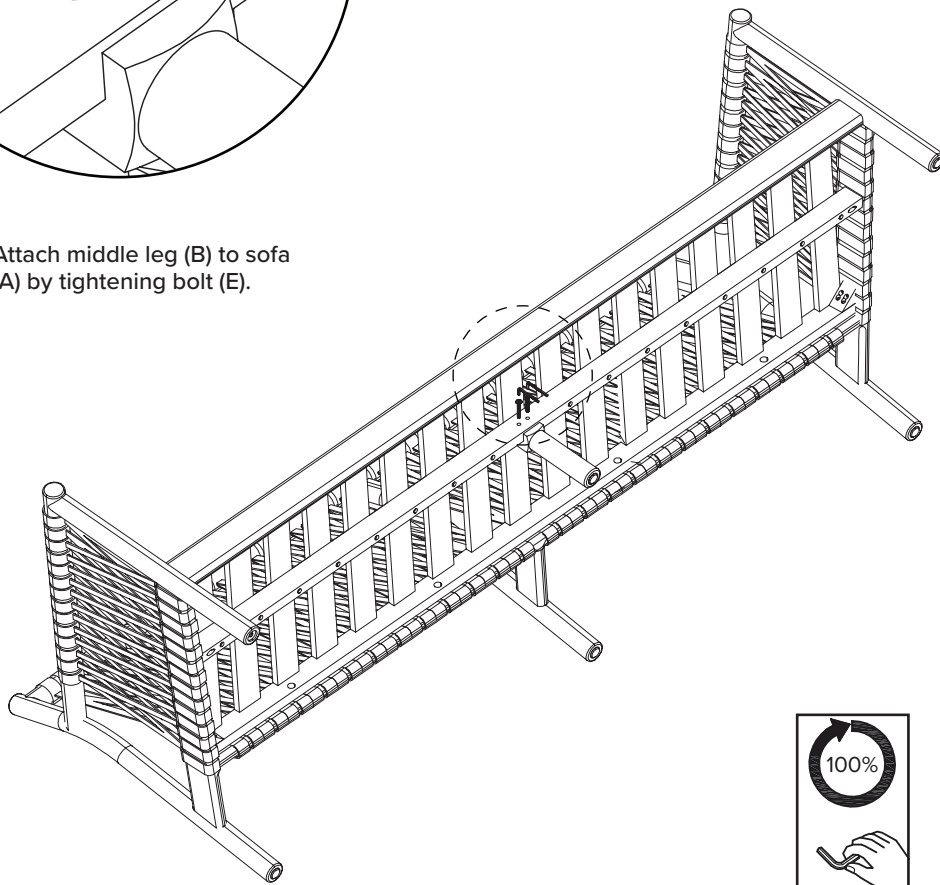
! Please ensure products are laid on a smooth and soft surface while assembling in order to avoid unexpected scratches and dents.

PARTS INVENTORY			
ID	DESCRIPTION		QTY
A	SOFA		1
B	MIDDLE LEG		2
C	SEAT CUSHION		1
D	BACK CUSHION		2
E	BOLTS		2
F	ALLEN KEY		1

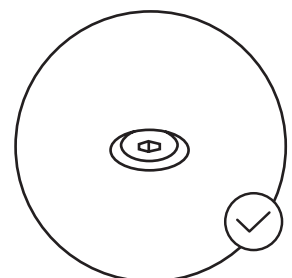
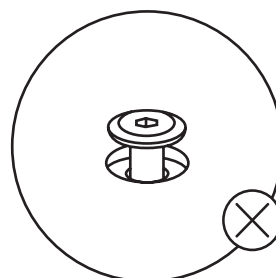
1



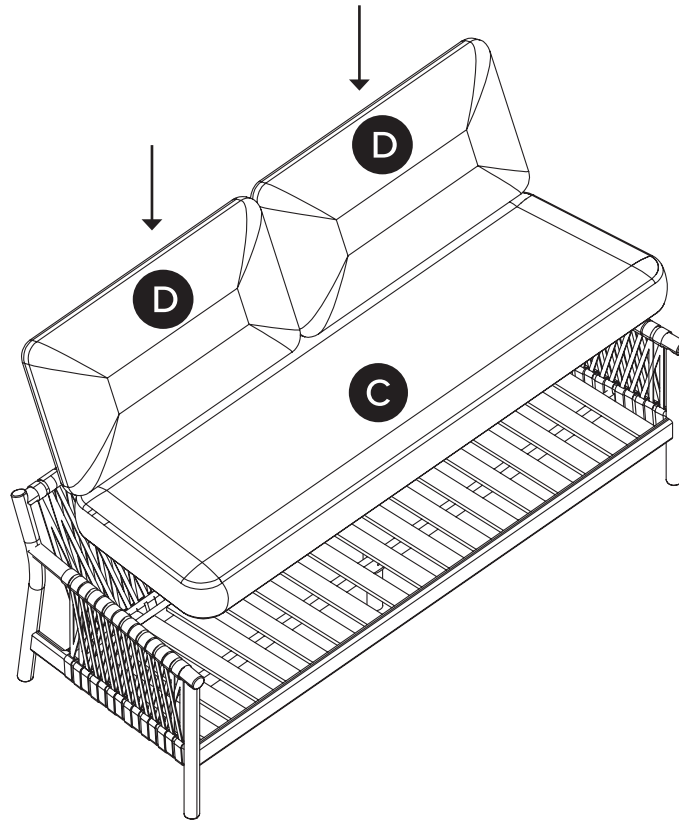
! Attach middle leg (B) to sofa (A) by tightening bolt (E).



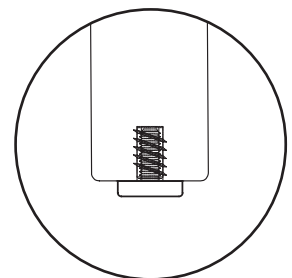
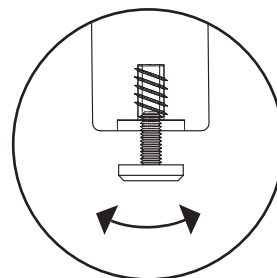
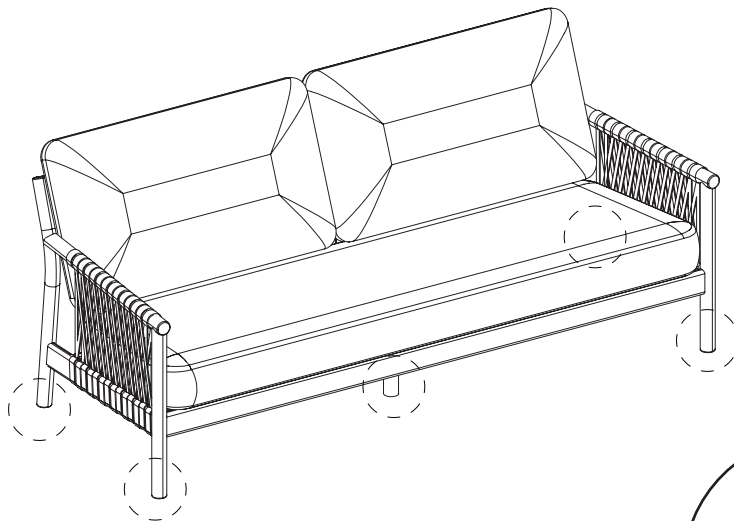
! Once all bolts are placed, fully tightened.



2



3



! Adjust levelers as needed.