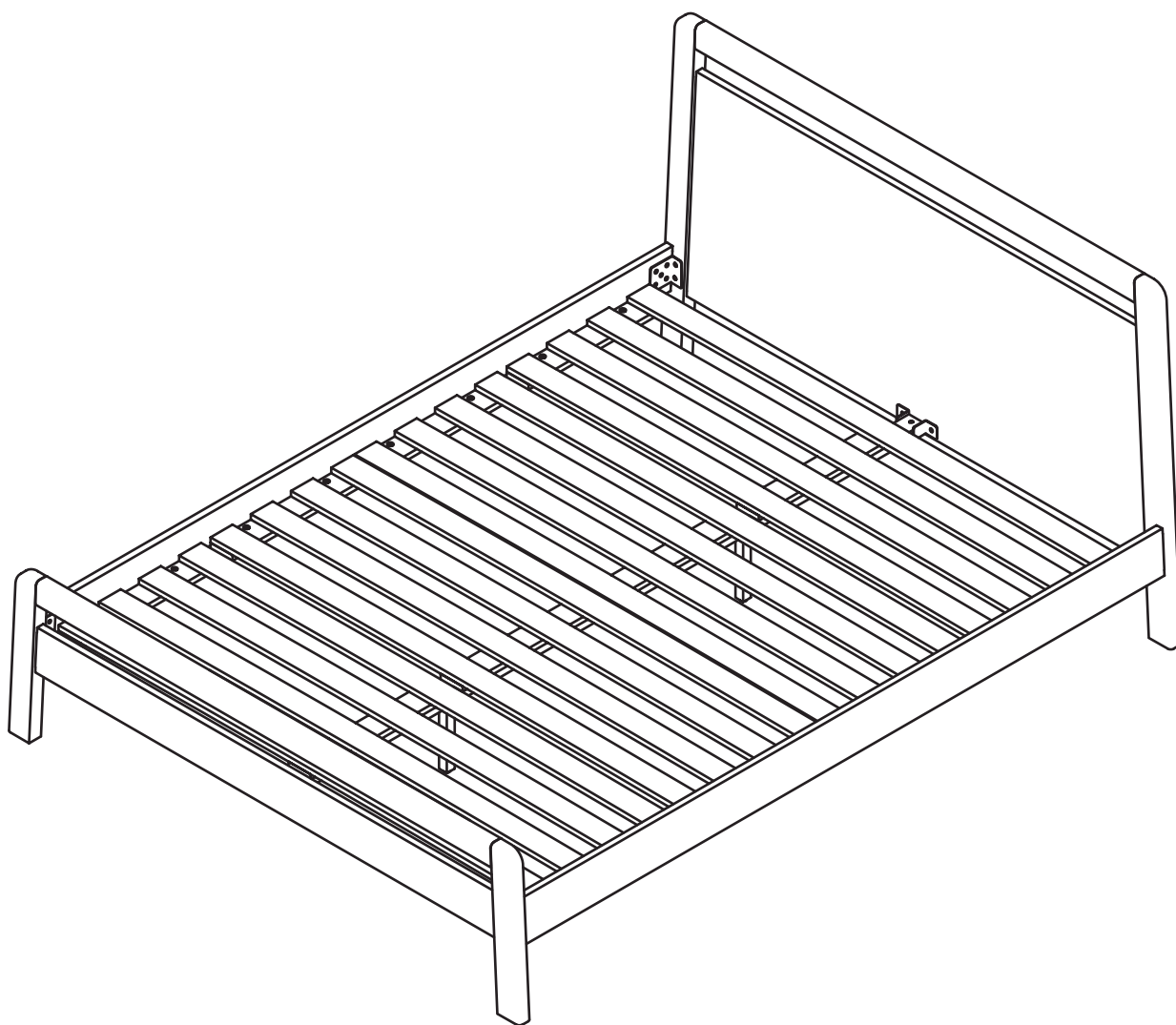


# ARTICLE.

VERSION 1.0

## Assembly Instructions



# DALSA

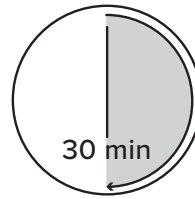
Bed

## ASSEMBLY INSTRUCTIONS

Read these instructions carefully and keep for future reference. Refer to parts inventory for guidance, and ensure you have all pieces before starting.

When assembling, place all parts on a soft, clean, and flat surface such as a carpet to prevent scratches.

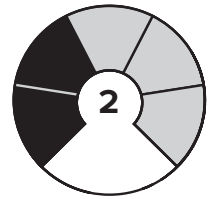
If you're having difficulty, our friendly Customer Care team is always here to help. Call us at **1.888.746.3455** during business hours, email [service@article.com](mailto:service@article.com) or chat live at [article.com](https://www.article.com).



TIME




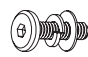
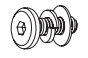


# OF PEOPLE



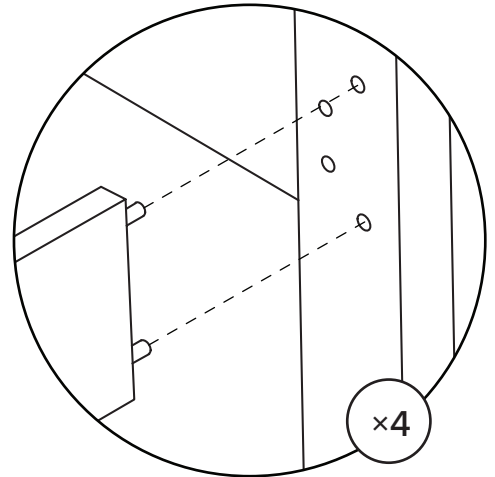
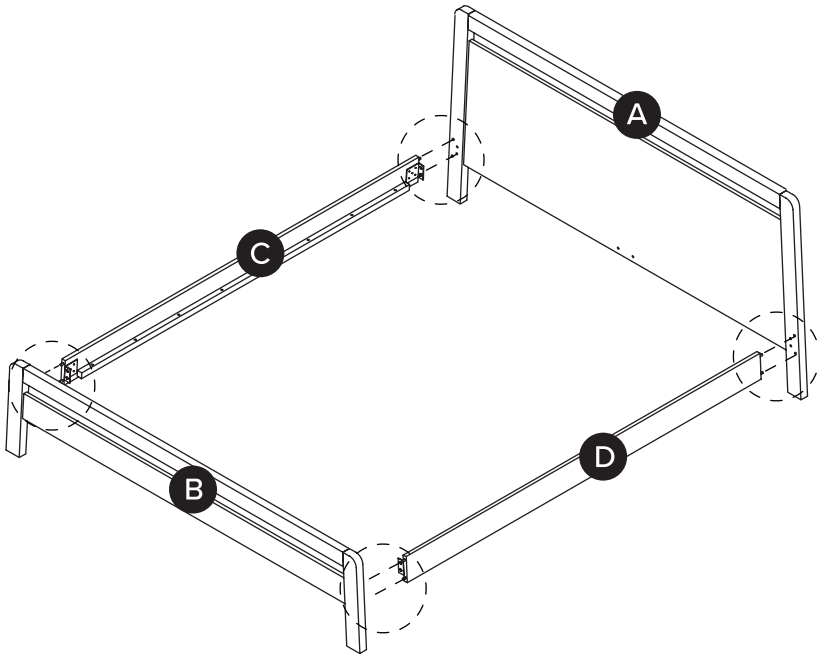
DIFFICULTY



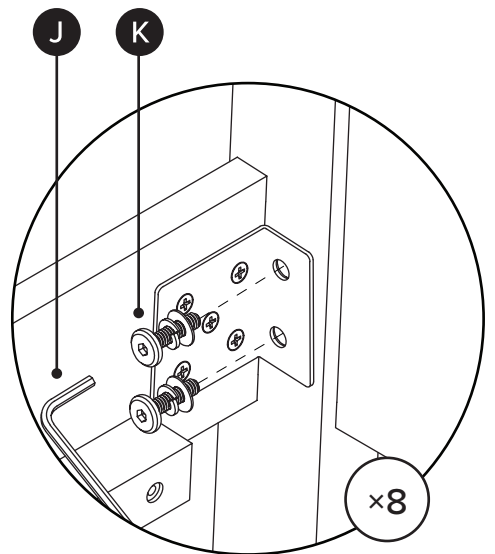
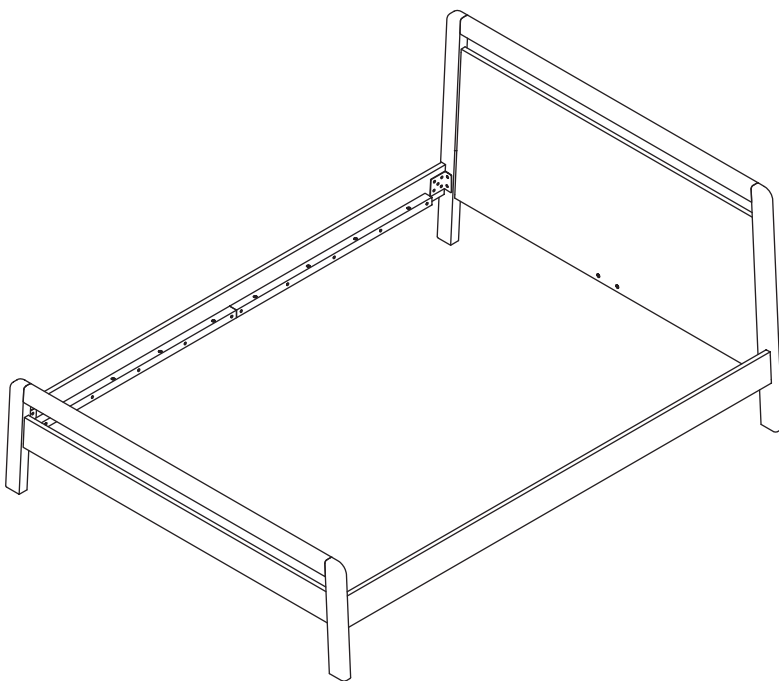
PARTS INVENTORY		
ID	DESCRIPTION	QTY
<b>A</b>	HEADBOARD	1
<b>B</b>	FOOTBOARD	1
<b>C</b>	RIGHT SIDE RAIL	1
<b>D</b>	LEFT SIDE RAIL	1
<b>E</b>	BRACKET	2
<b>F</b>	CENTER BEAM	1
<b>G</b>	FLOATING CENTER LEG	2

PARTS INVENTORY CONT.		
ID	DESCRIPTION	QTY
<b>H</b>	CENTER LEG BRACKET	2
<b>I</b>	SLAT	4
<b>J</b>	ALLEN KEY 	1
<b>K</b>	M8 × 30MM BOLT 	8
<b>L</b>	M8 × 20MM BOLT 	4
<b>M</b>	M6 × 15MM BOLT 	4
<b>N</b>	M6 × 35MM BOLT 	18

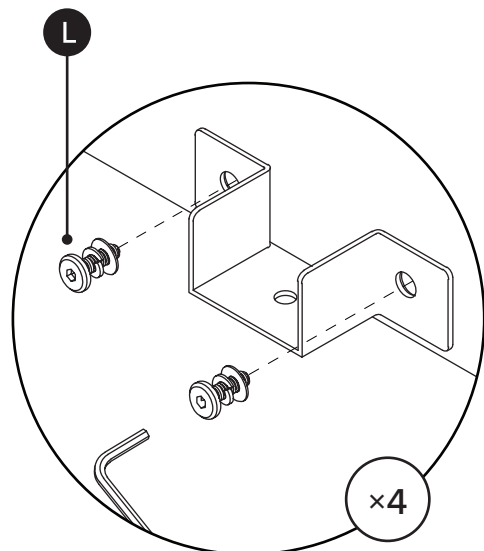
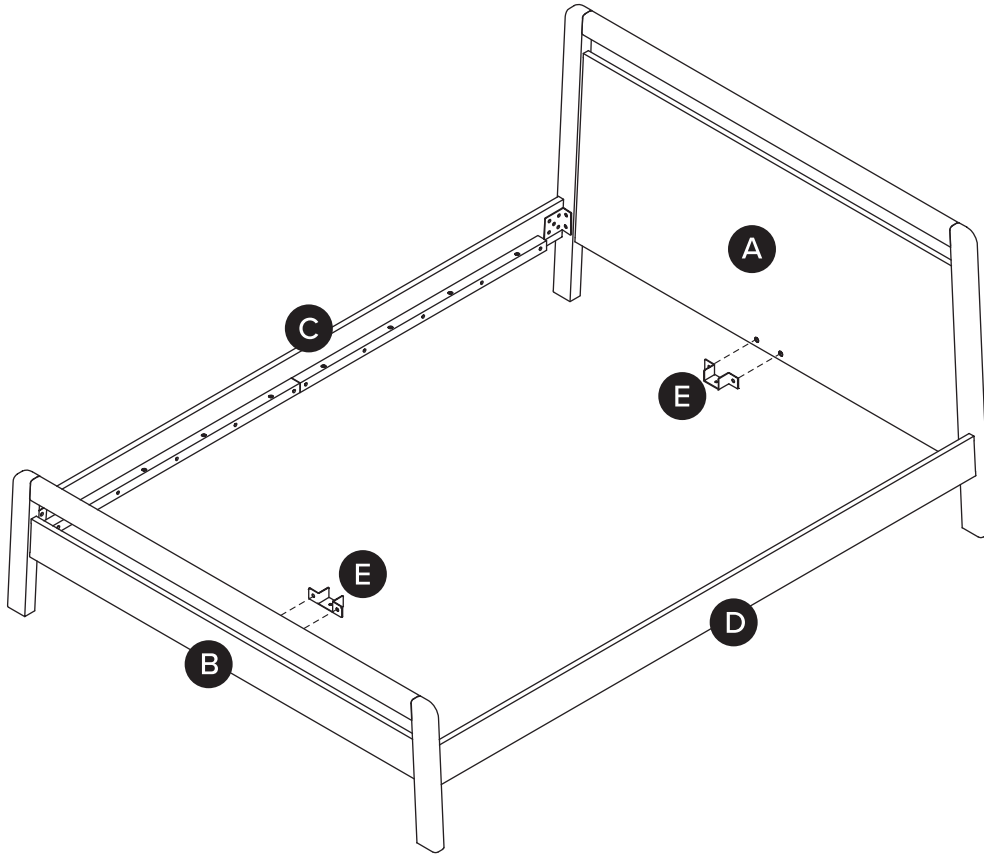
1



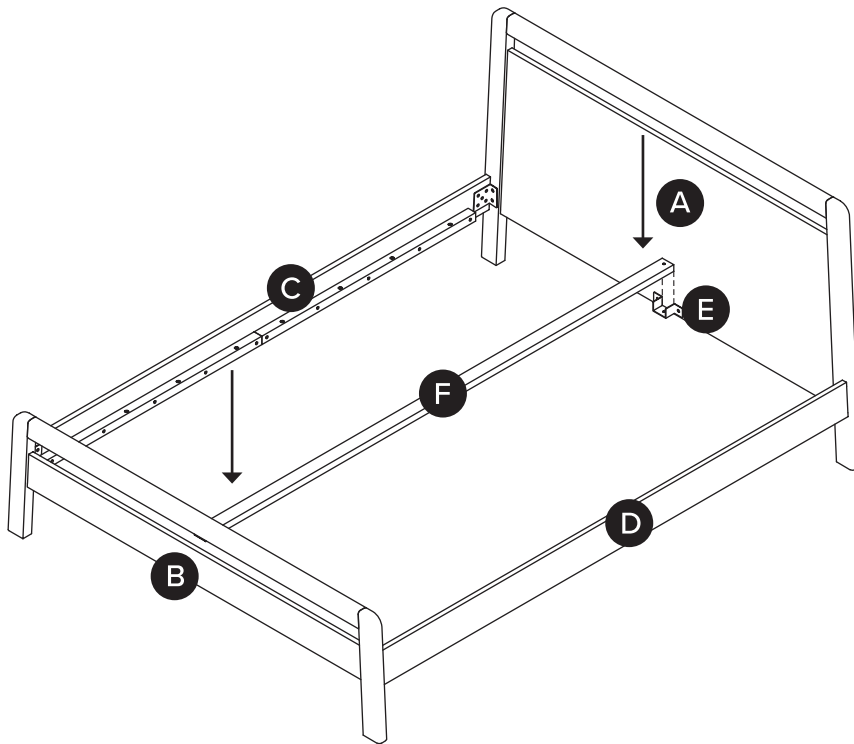
2



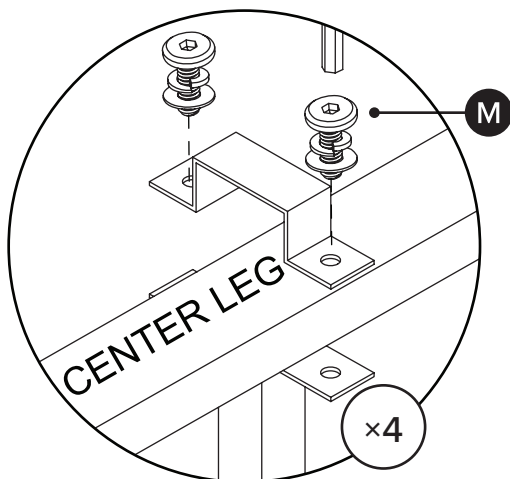
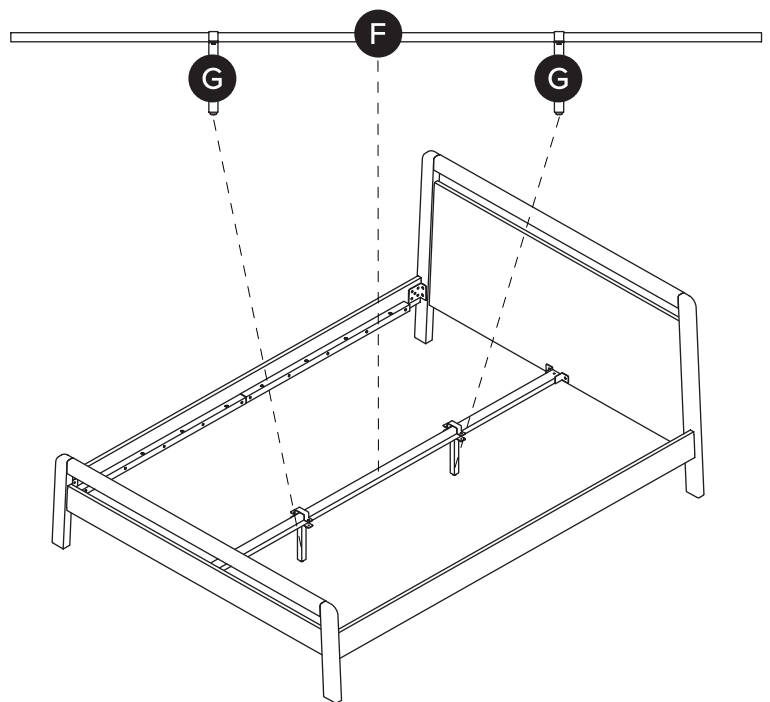
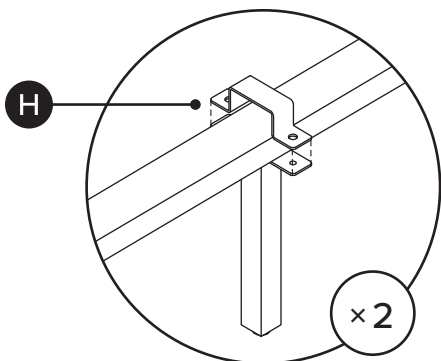
3



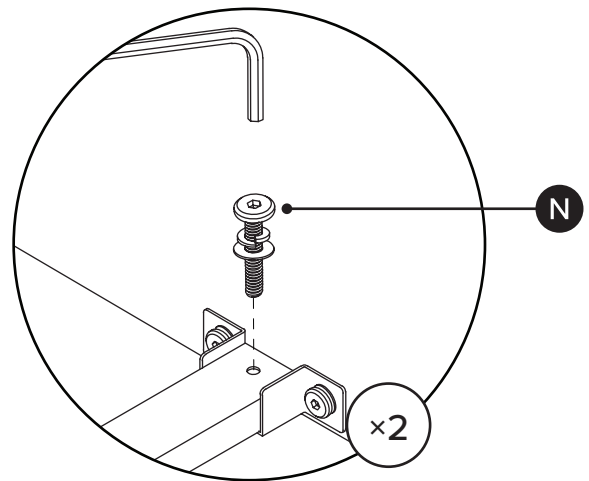
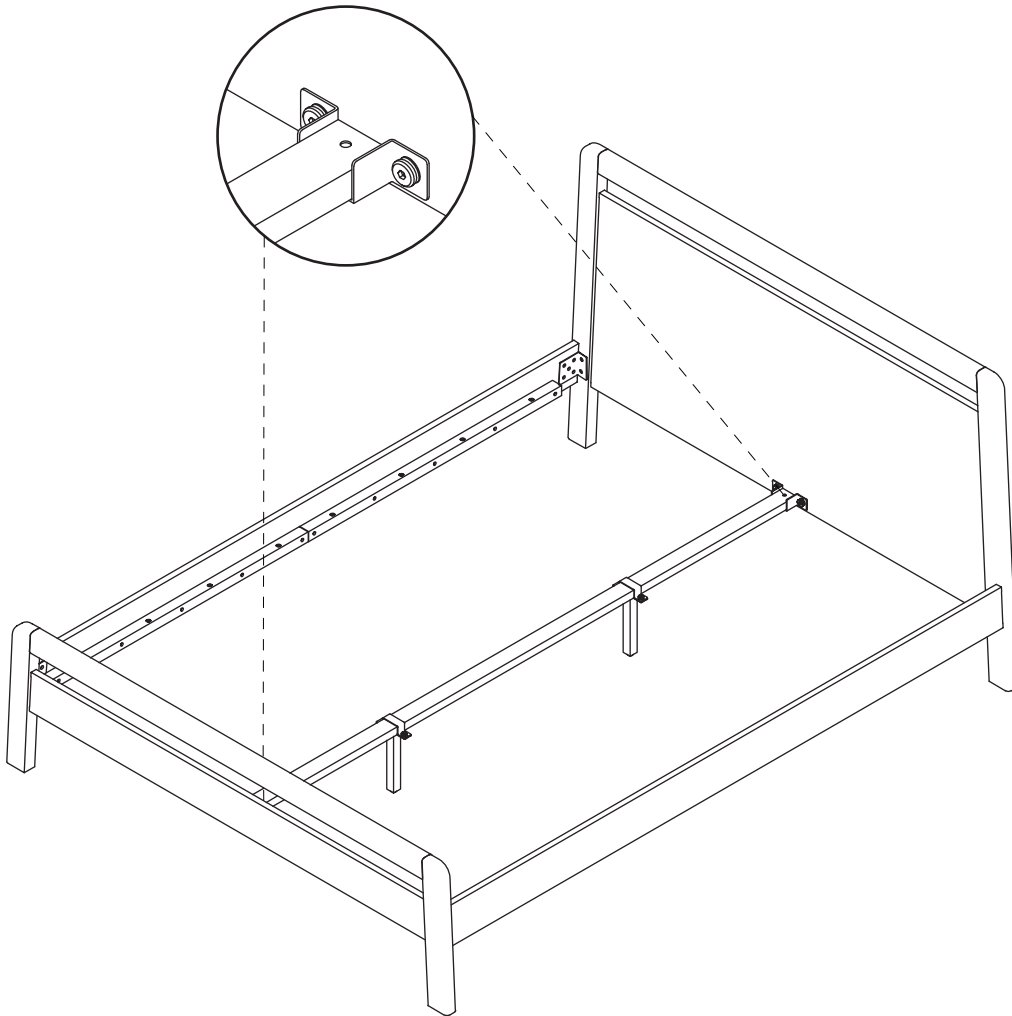
4



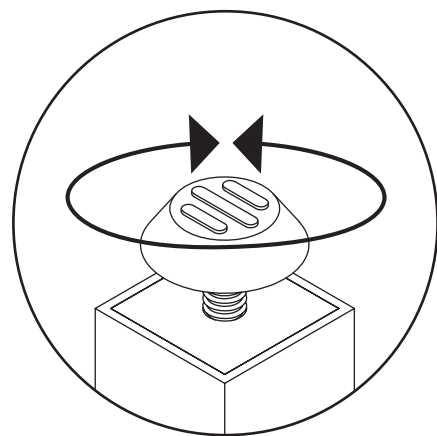
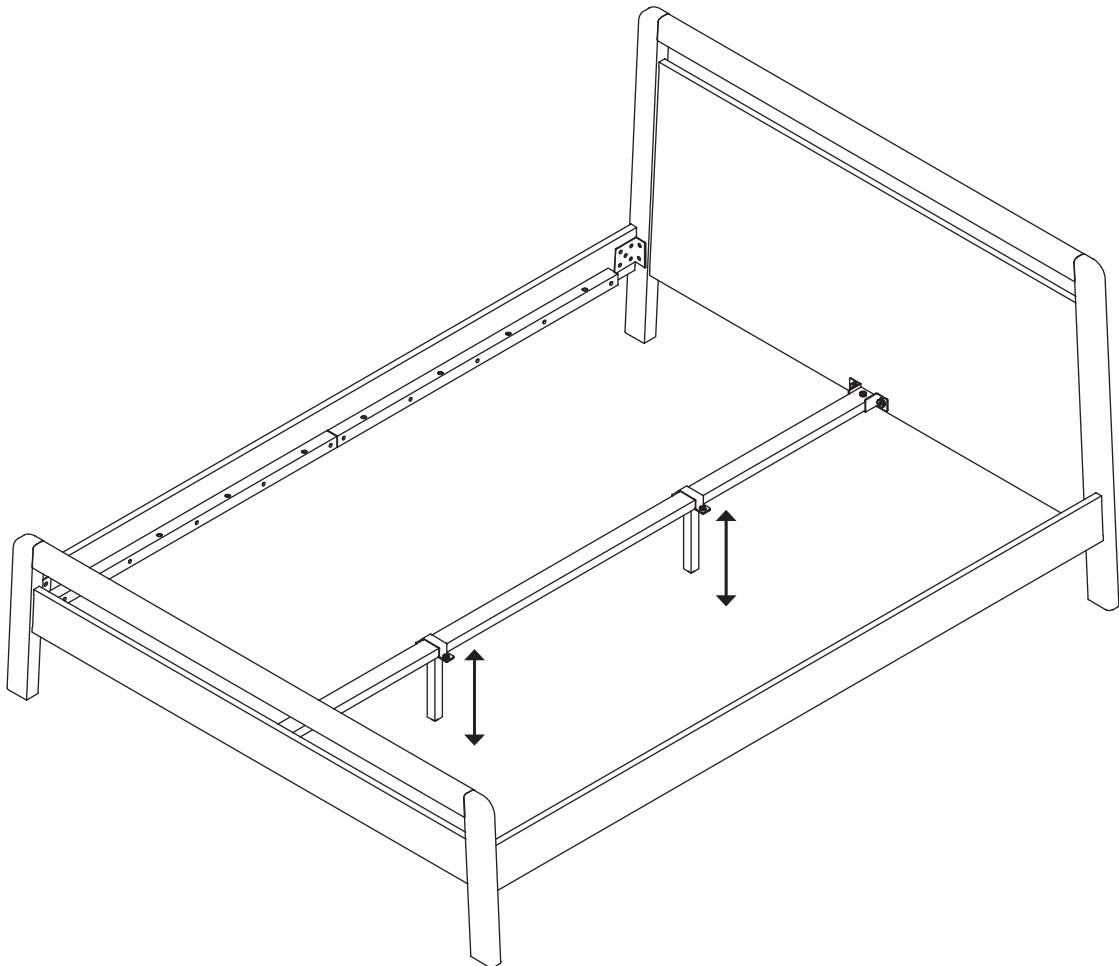
5



6



7



! Adjust levelers on legs as needed.

8

