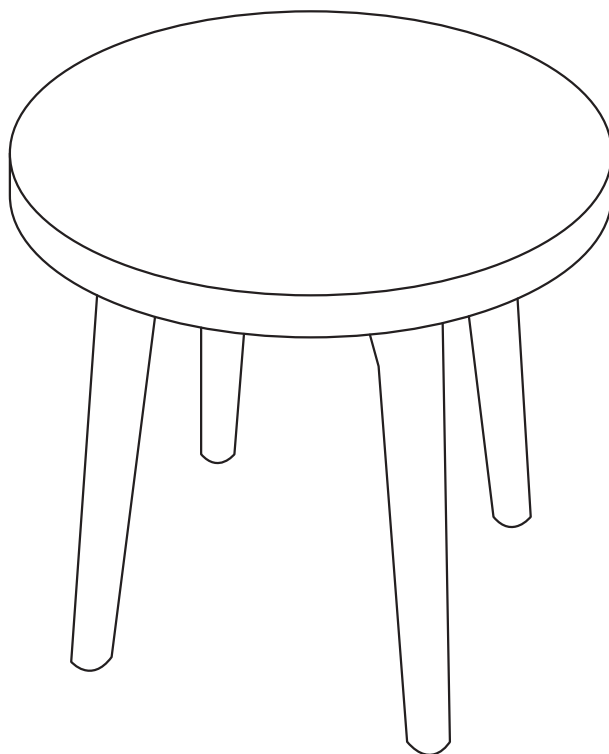


ARTICLE.

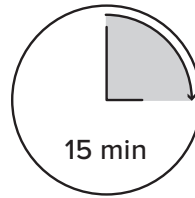
VERSION 1.0

Assembly Instructions



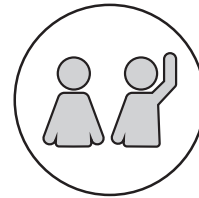
ATRA

Side Table

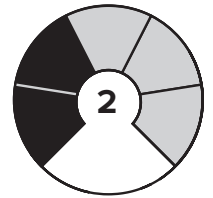


15 min

TIME


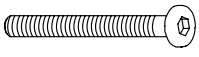




OF PEOPLE

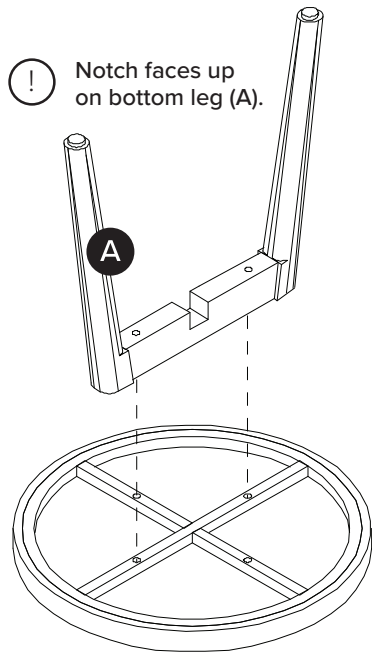


DIFFICULTY

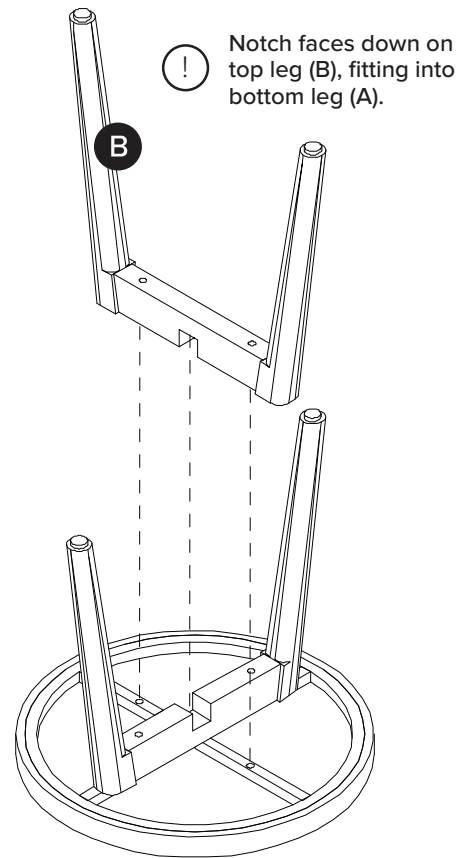
! Hardware may loosen over time, check the bolts regularly and tighten if necessary.

PARTS INVENTORY		
ID	DESCRIPTION	QTY
A	BOTTOM LEG	1
B	TOP LEG	1
C	ALLEN KEY 	1
D	M6 × 65MM BOLT 	4
E	LOCK WASHER 	4
F	WASHER 	4

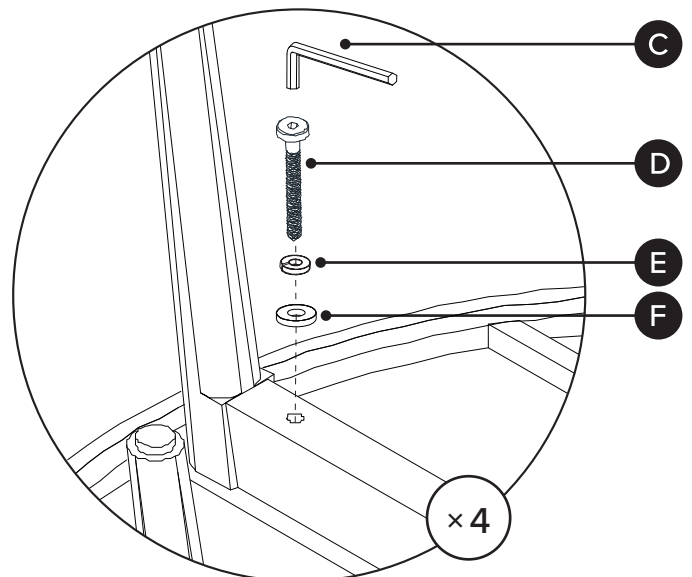
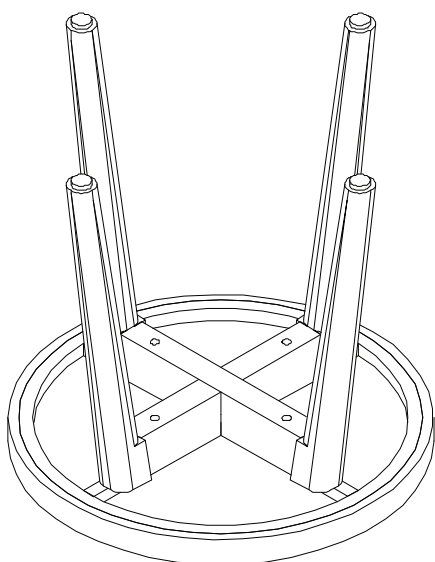
1A

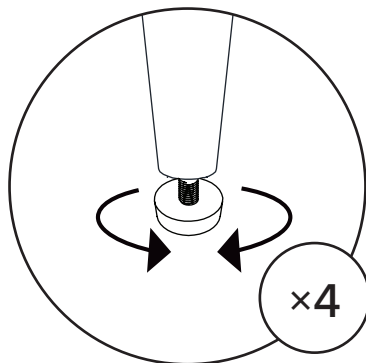
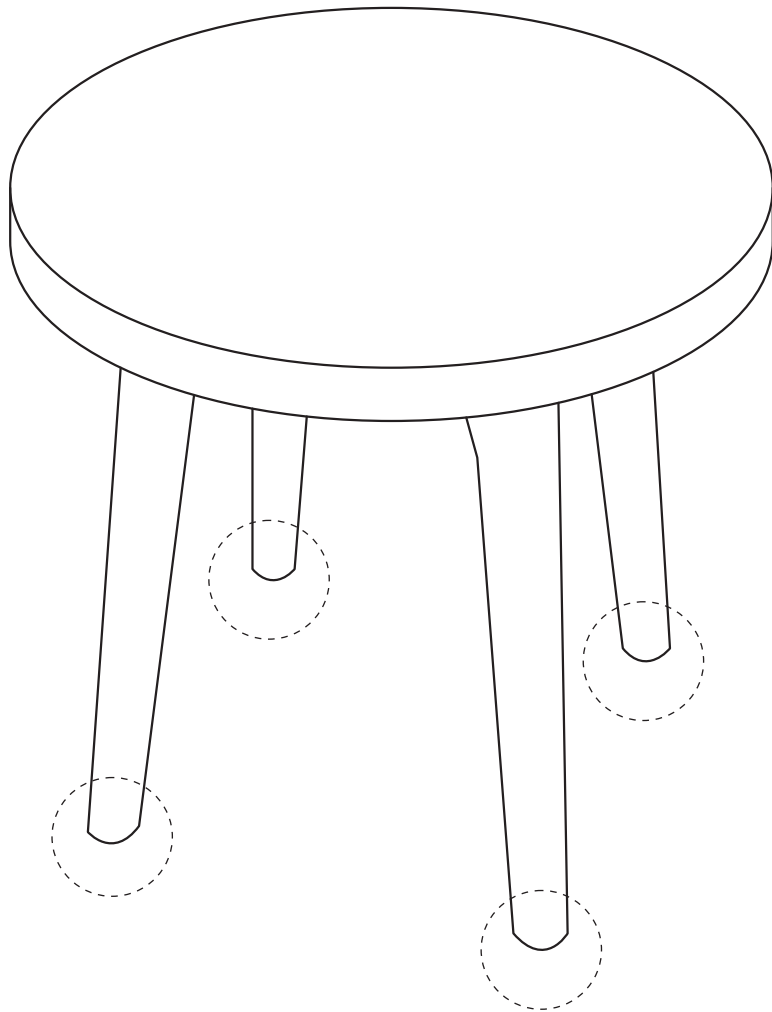


1B



2





Adjust levelers on legs as needed.