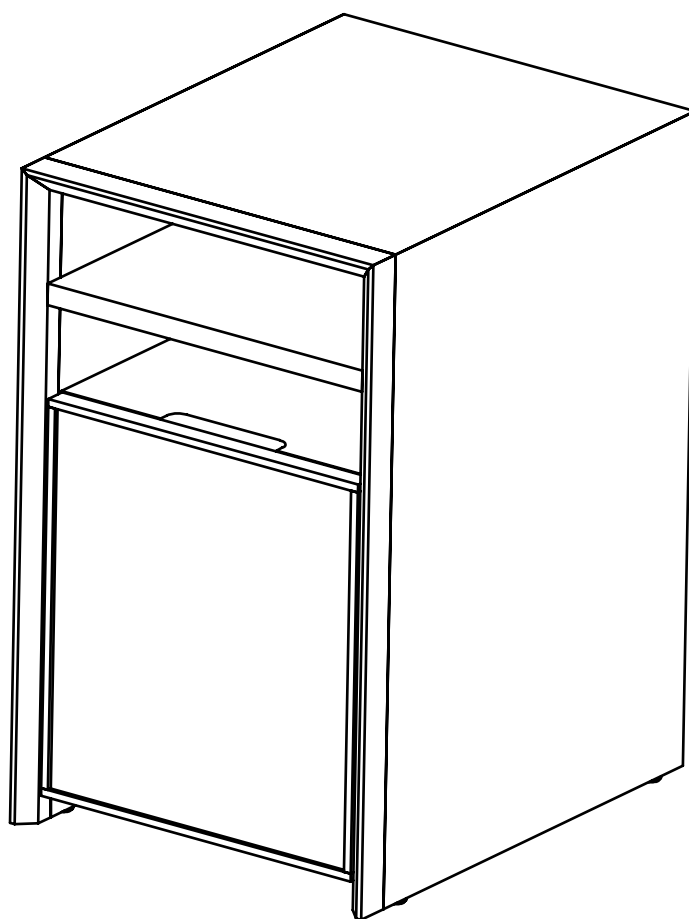


ARTICLE.

VERSION 1.0

Assembly Instructions

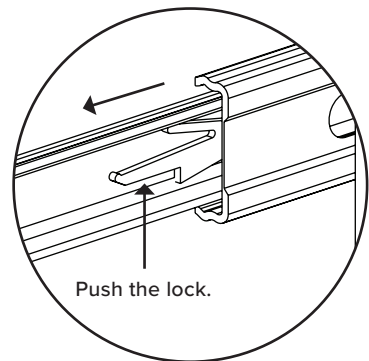
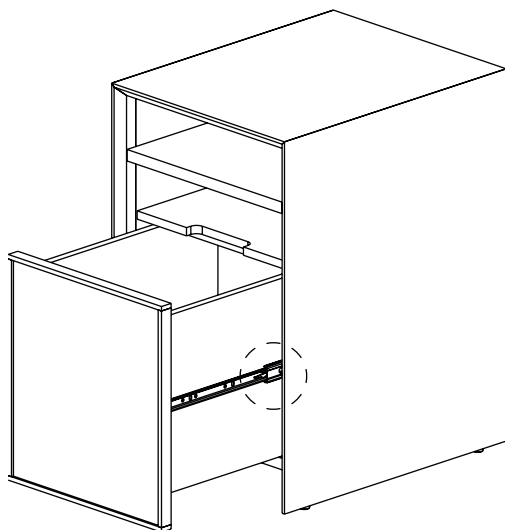
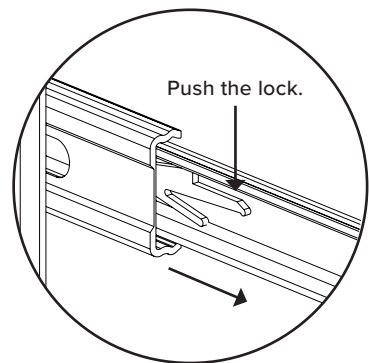
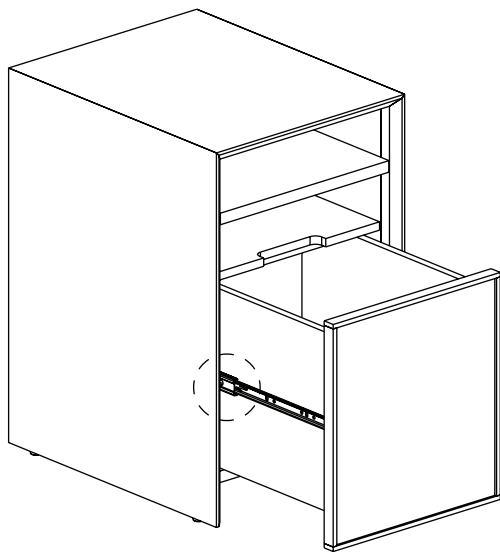


FANTOL

Cabinet

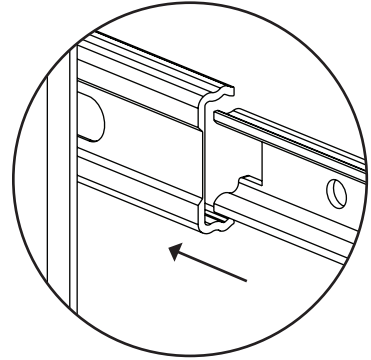
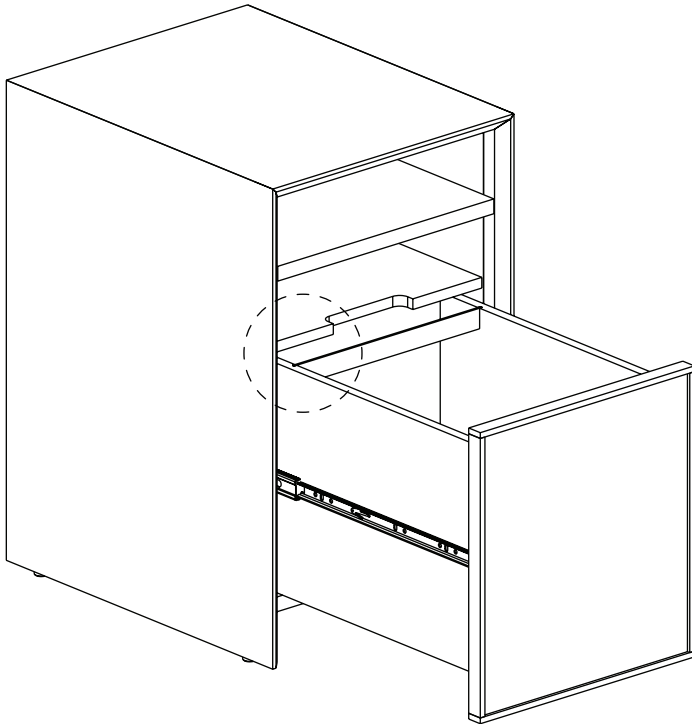
GLIDE AND LEVELLER ADJUSTMENT INSTRUCTIONS

1 REMOVE DRAWER



2

INSERT DRAWER



3

ADJUST LEVELERS

