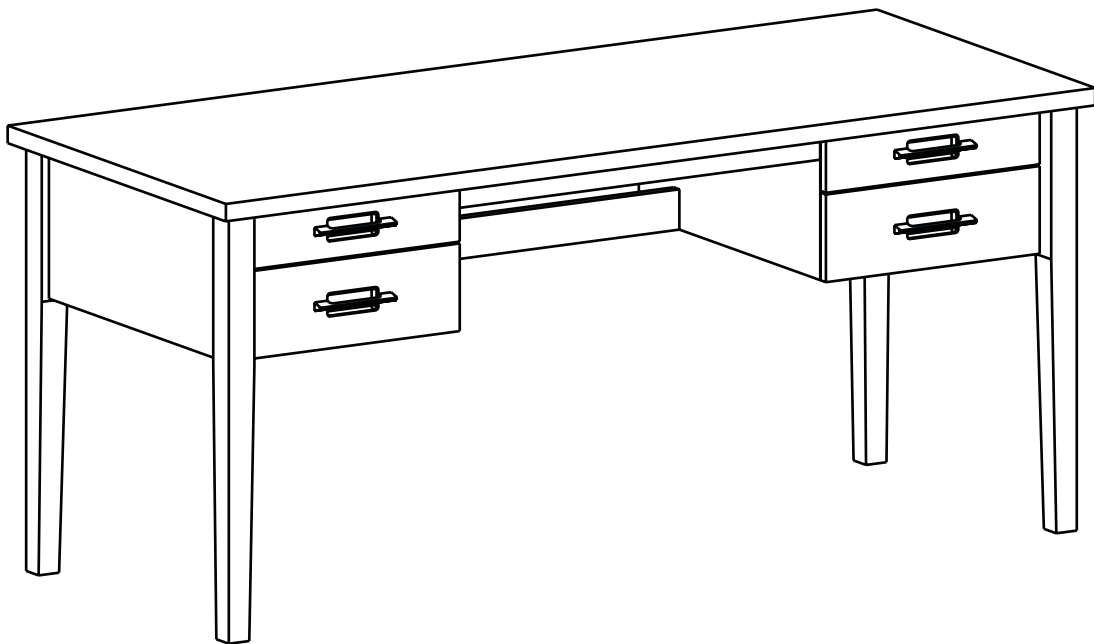


# ARTICLE.

VERSION 1.0

## Assembly Instructions



# MUNSON

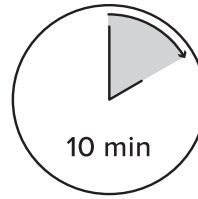
Executive Storage Desk

## ASSEMBLY INSTRUCTIONS

Read these instructions carefully and keep for future reference. Refer to parts inventory for guidance, and ensure you have all pieces before starting.

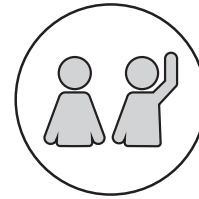
When assembling, place all parts on a soft, clean, and flat surface such as a carpet to prevent scratches.

If you're having difficulty, our friendly Customer Care team is always here to help. Call us at **1.888.746.3455** during business hours, email [service@article.com](mailto:service@article.com) or chat live at [article.com](https://article.com).

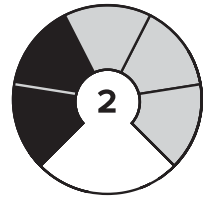


10 min

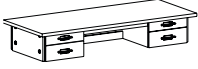
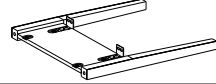
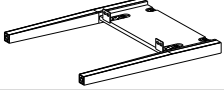
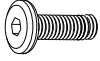
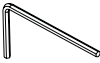


TIME



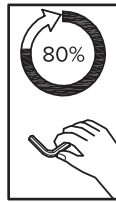
# OF PEOPLE



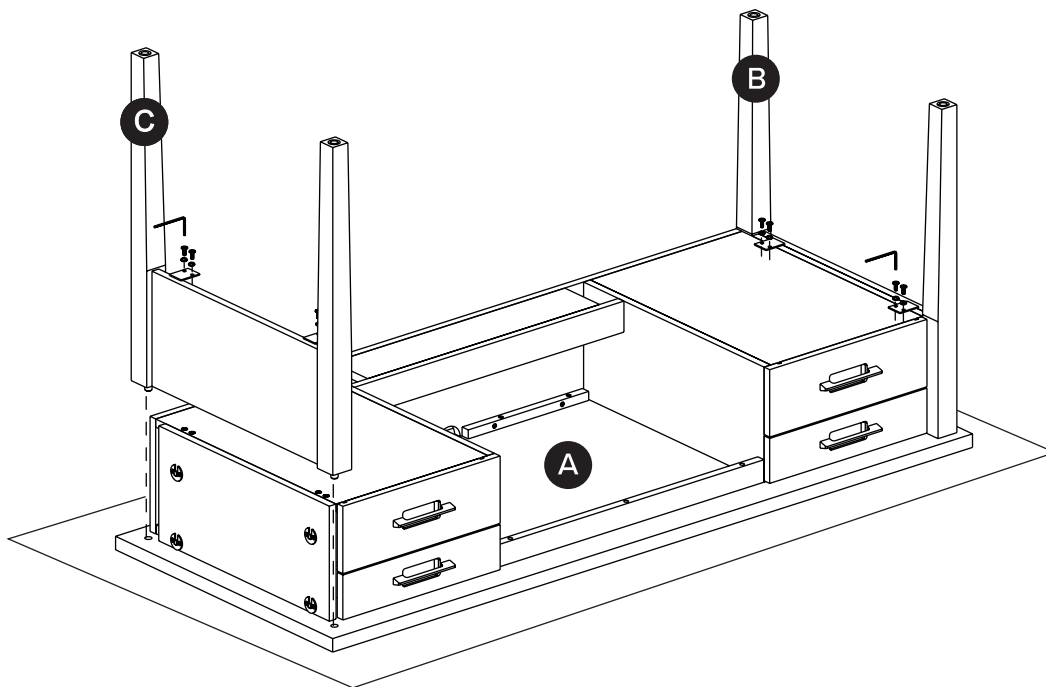
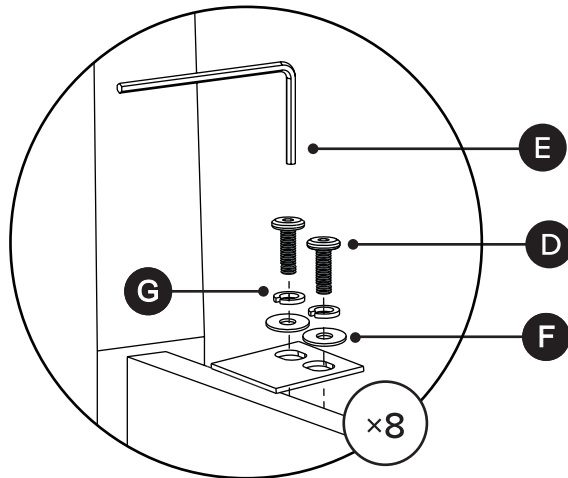
DIFFICULTY

PARTS INVENTORY		
ID	DESCRIPTION	QTY
<b>A</b>	TOP 	1
<b>B</b>	LEFT LEG 	1
<b>C</b>	RIGHT LEG 	1
<b>D</b>	M6 × 20MM SOCKET BOLT 	8
<b>E</b>	ALLEN KEY 	1
<b>F</b>	FLAT WASHER 	8
<b>G</b>	LOCK WASHER 	8

1



! Do not fully tighten bolts until all bolts are placed properly.



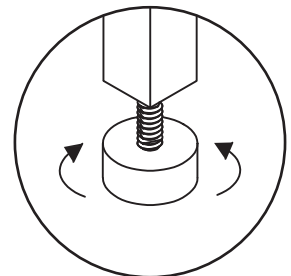
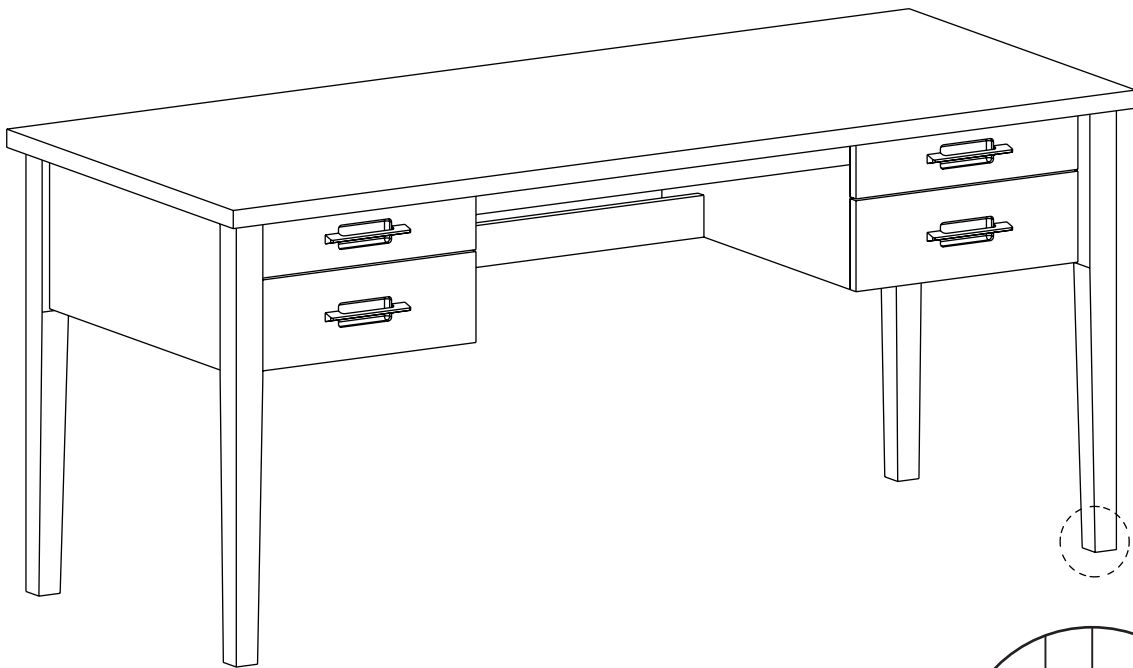
! Make sure to place desk down on a soft protected surface.

2

! It is important that all bolts are retightened 2 weeks after assembly and once every 2 months in order to assure stability throughout the lifespan of this product.



! Tighten all bolts fully.



! Adjust levelers for balance.