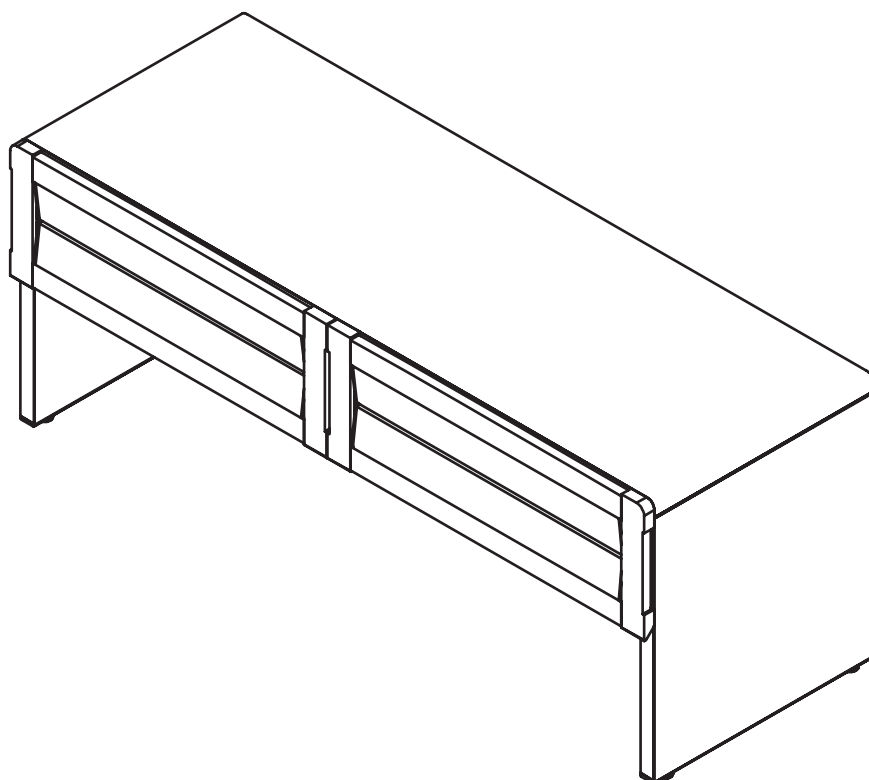


# ARTICLE.

VERSION 1.0

## Assembly Instructions



# MONTEREY

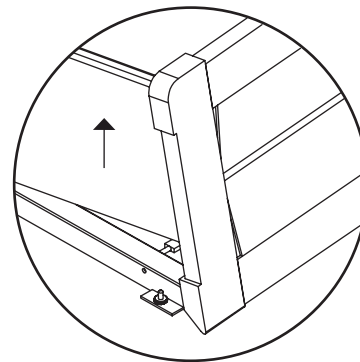
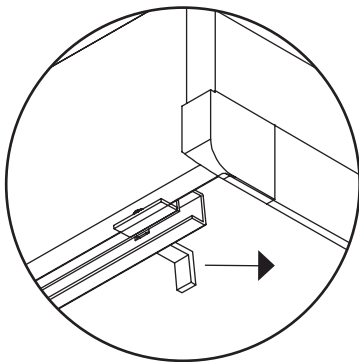
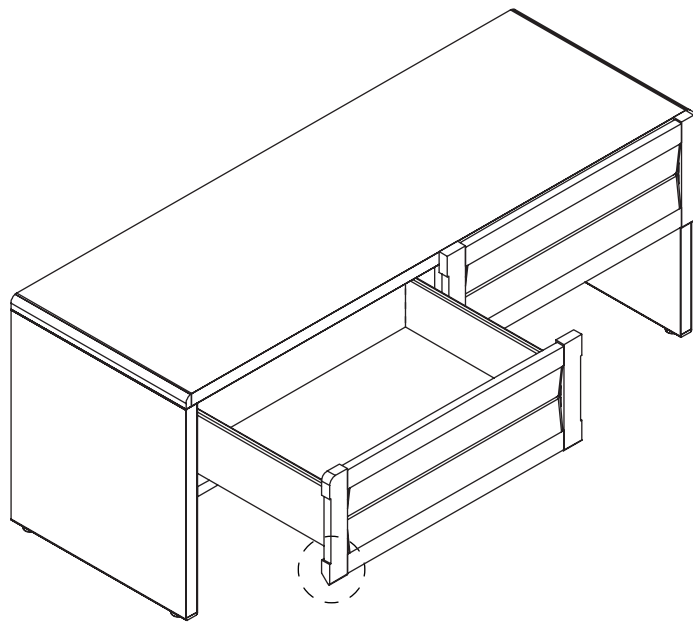
Bench

# DRAWER

## ADJUSTMENT INSTRUCTIONS

### 1 REMOVE DRAWER

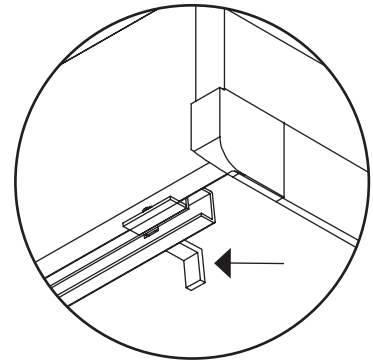
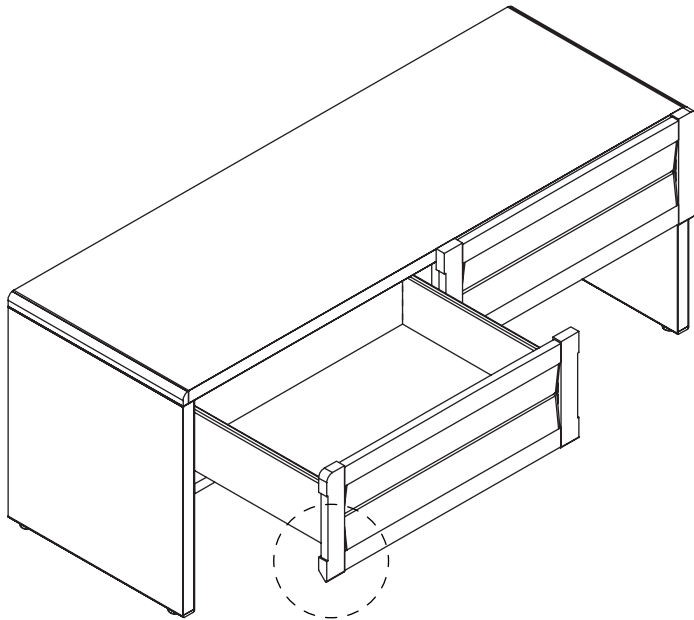
---



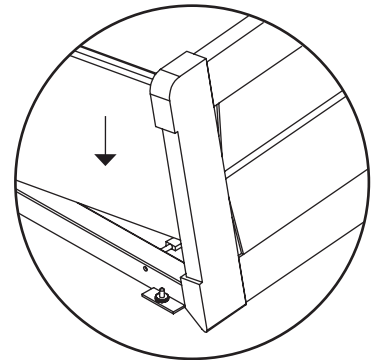
Pull the lock.

**2** — INSERT DRAWER

---



Push the lock.



**3** — ADJUST LEVELERS

---

