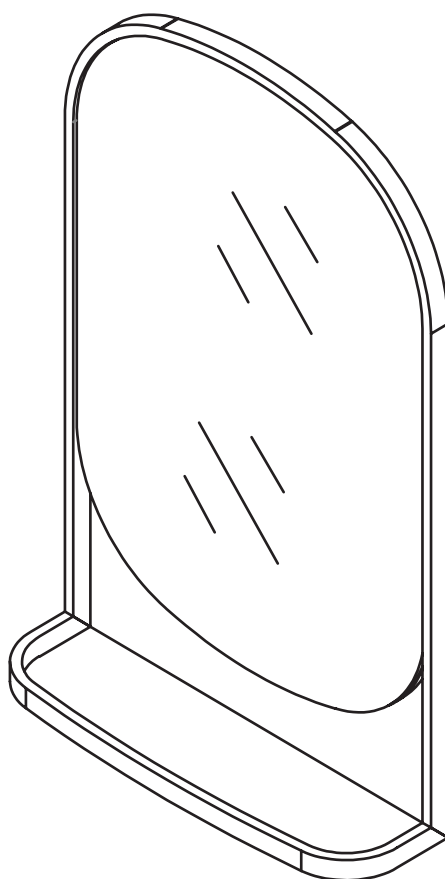


# ARTICLE.

VERSION 1.0

## Assembly Instructions



# KLEIN

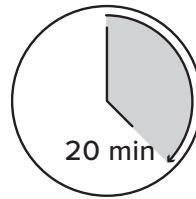
Wall Mirror

## ASSEMBLY INSTRUCTIONS

Read these instructions carefully and keep for future reference. Refer to parts inventory for guidance, and ensure you have all pieces before starting.

When assembling, place all parts on a soft, clean, and flat surface such as a carpet to prevent scratches.

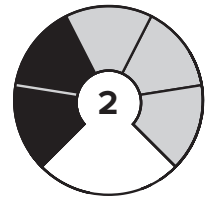
If you're having difficulty, our friendly Customer Care team is always here to help. Call us at **1.888.746.3455** during business hours, email [service@article.com](mailto:service@article.com) or chat live at [article.com](https://www.article.com).



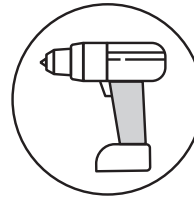
TIME



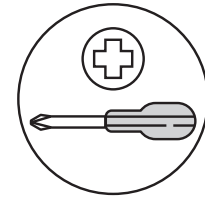
# OF PEOPLE




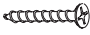
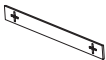
DIFFICULTY



REQUIRED TOOL  
8MM / 5/16" DRILL BIT



REQUIRED TOOL

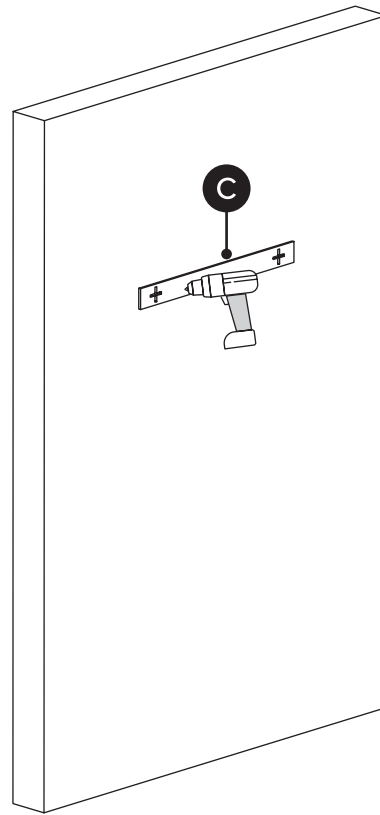
PARTS INVENTORY		
ID	DESCRIPTION	QTY
<b>A</b>	PLASTIC WALL ANCHOR 	2+1
<b>B</b>	M5 X 40MM SCREW 	2+1
<b>C</b>	PAPER TEMPLATE 	1



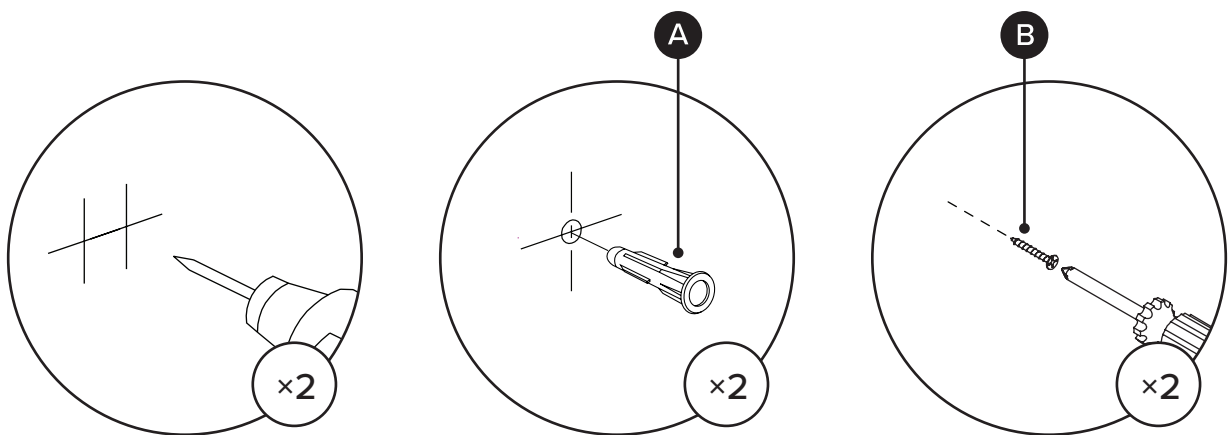
Hardware (A/B) to attach brackets to wall is designed for drywall. To attach this unit to another type of wall, consult with your local hardware store.

1

! Place the paper template on the wall for your guide on where to position the holes.



2



Drill holes in wall using  
8mm / 5/16" drill bit.

3

! Hang the mirror on the wall mounting plate.  
Ensure that the mirror will not slide down.

