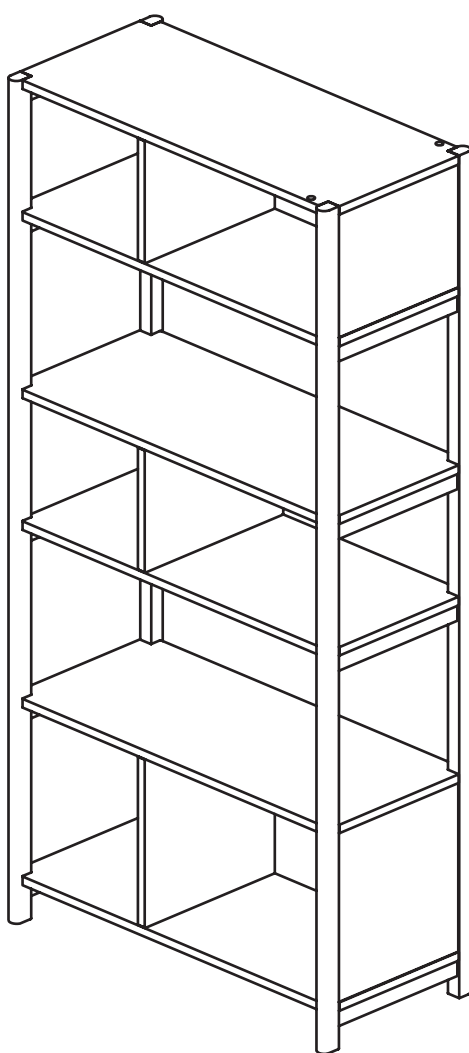


ARTICLE.

VERSION 1.0

Assembly Instructions



MYSEN

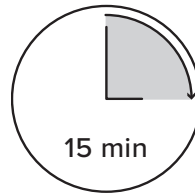
Tall Bookcase

ASSEMBLY INSTRUCTIONS

Read these instructions carefully and keep for future reference. Refer to parts inventory for guidance, and ensure you have all pieces before starting.

When assembling, place all parts on a soft, clean, and flat surface such as a carpet to prevent scratches.

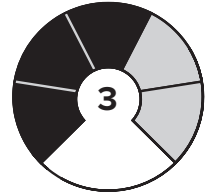
If you're having difficulty, our friendly Customer Care team is always here to help. Call us at **1.888.746.3455** during business hours, email service@article.com or chat live at [article.com](https://www.article.com).



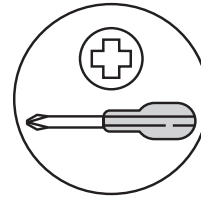
TIME




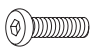
OF PEOPLE













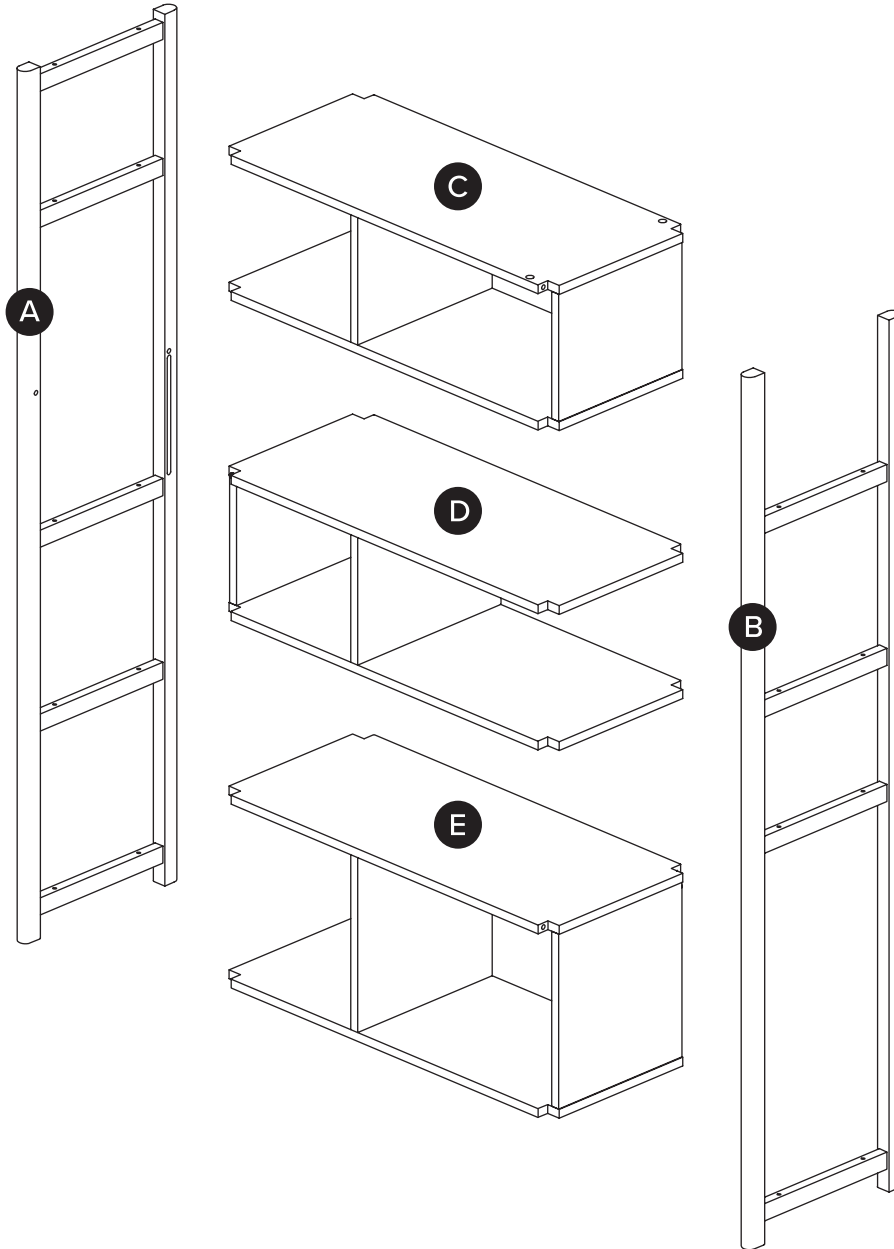
DIFFICULTY



REQUIRED TOOL

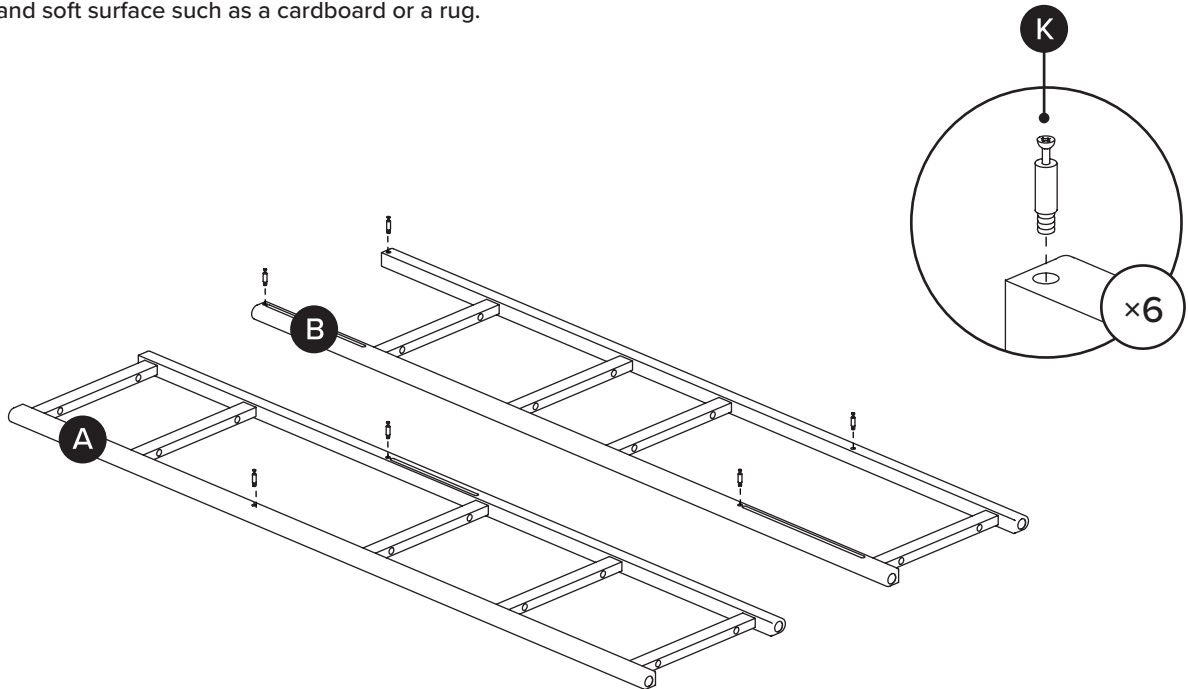
PARTS INVENTORY		
ID	DESCRIPTION	QTY
A	LEFT SIDE FRAME	1
B	RIGHT SIDE FRAME	1
C	TOP COMPARTMENT	1
D	MIDDLE COMPARTMENT	1
E	BOTTOM COMPARTMENT	1
F	ALLEN KEY 	1
G	M6 x 35MM BOLT 	18

PARTS INVENTORY CONT.		
ID	DESCRIPTION	QTY
H	M6 LOCK WASHER 	18
I	M6 WASHER 	18
J	CAMLOCK NUT 	6
K	CAMLOCK BOLT 	6
L	STICKERS 	6
M	ANTI-TIP BRACKET 	2
N	M8 x 51MM PLUG 	2
O	M6 x 70MM SCREW 	2
P	M4 x 15MM SCREW 	2
Q	WASHER 	2

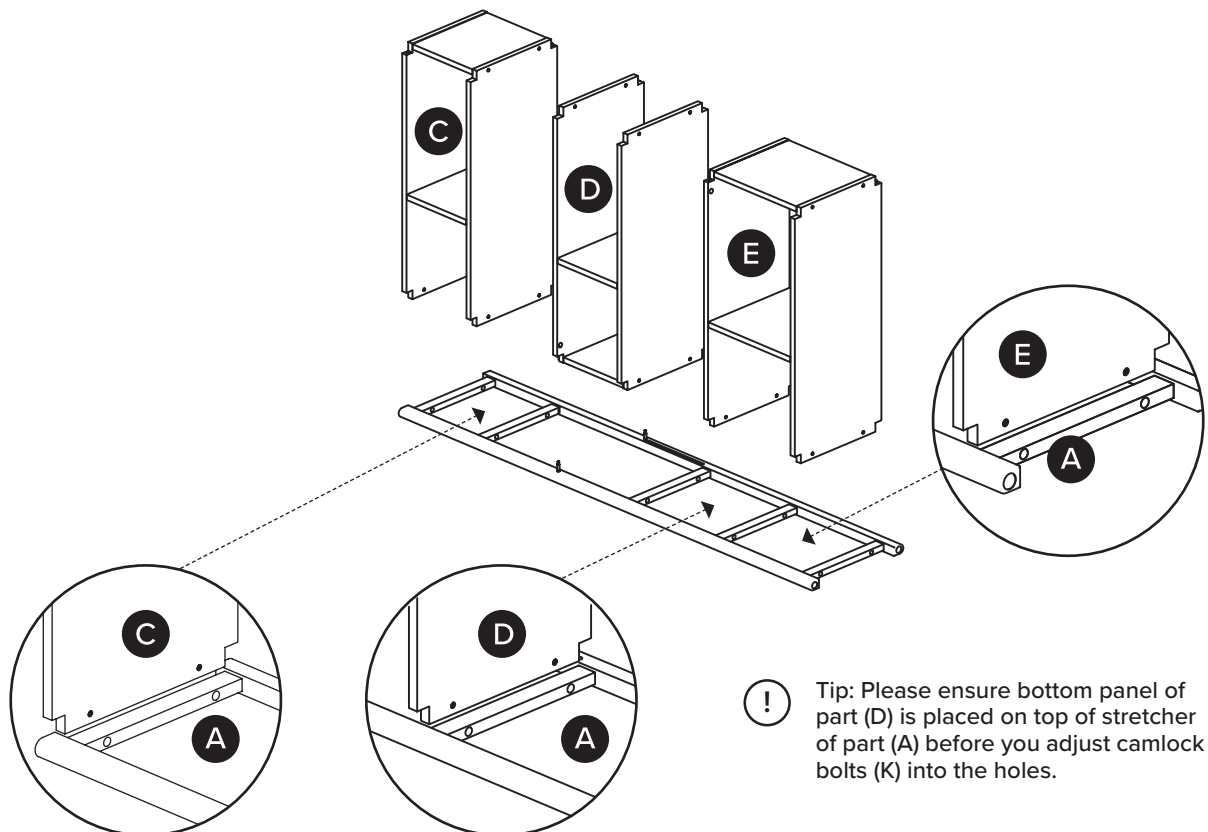


1

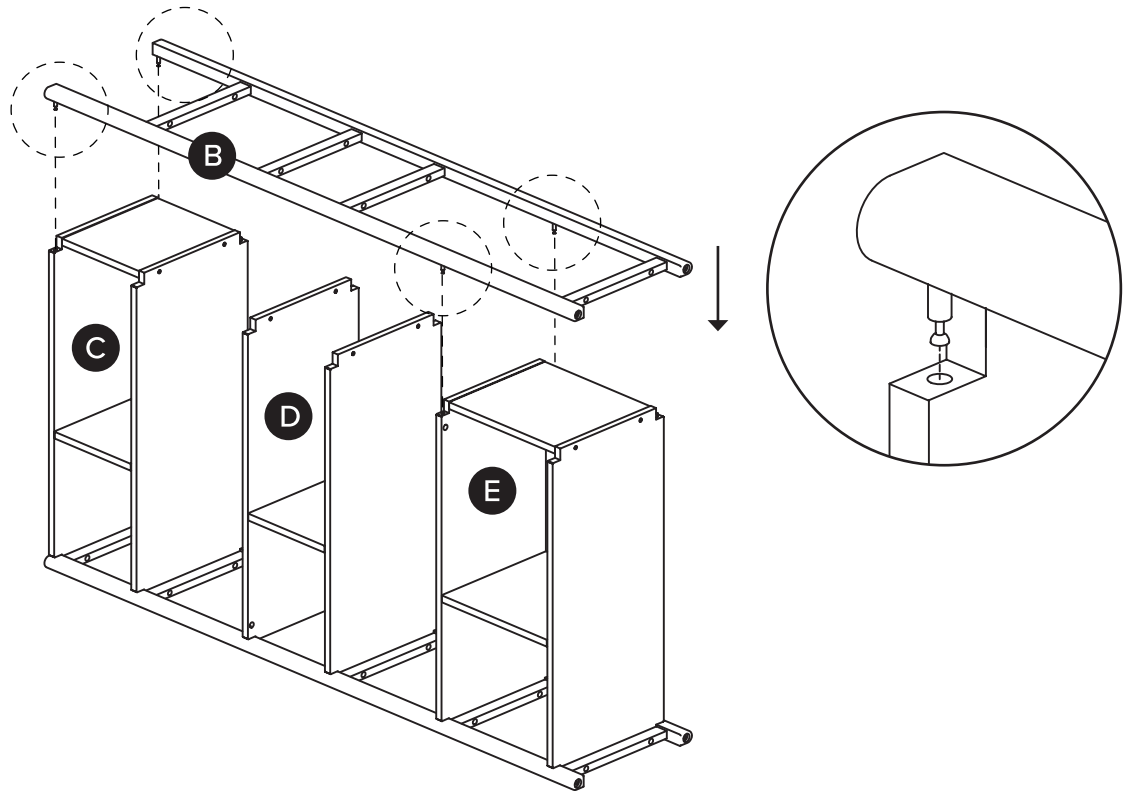
! Please ensure to put all components on a flat and soft surface such as a cardboard or a rug.



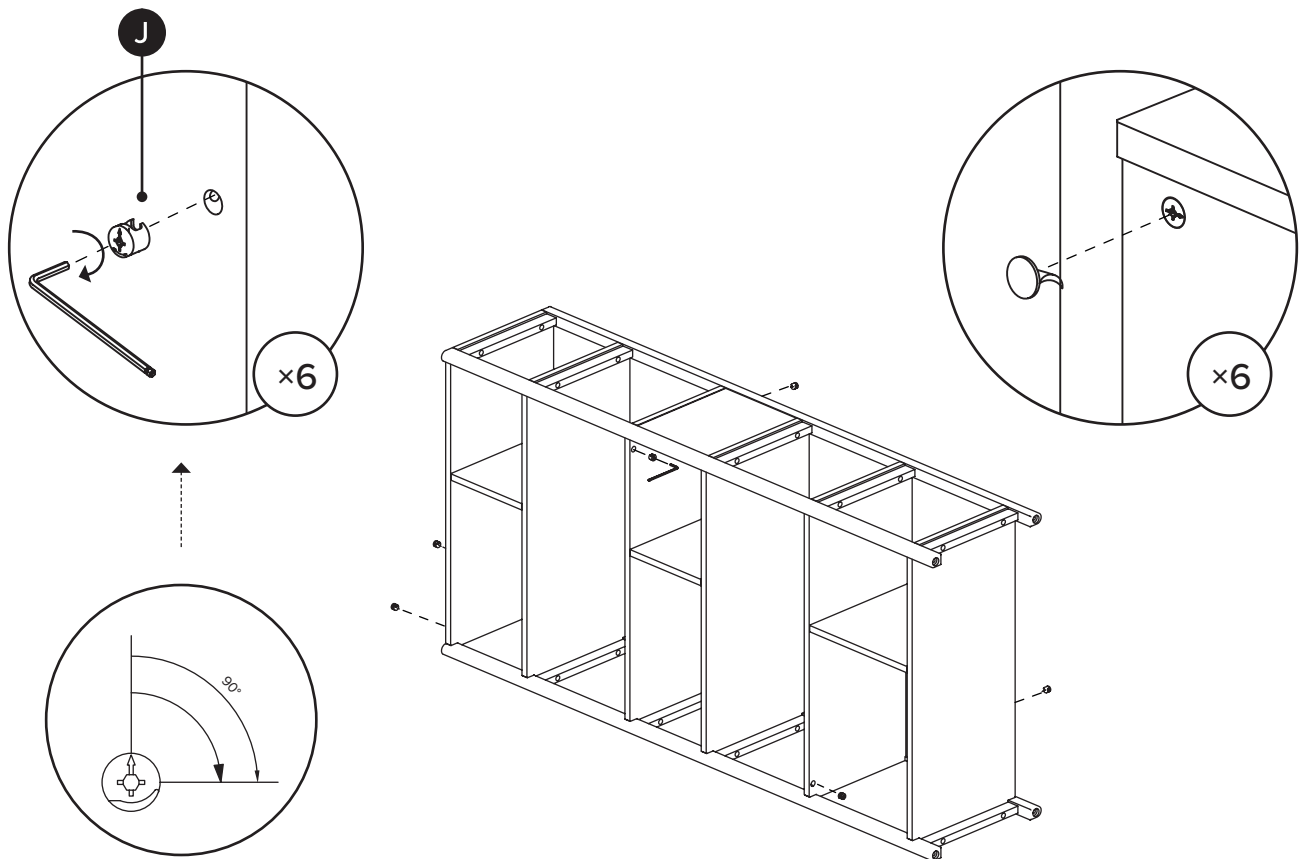
2



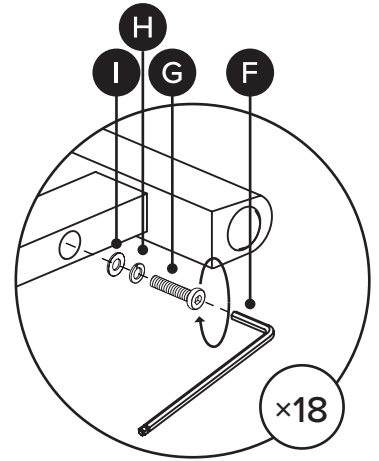
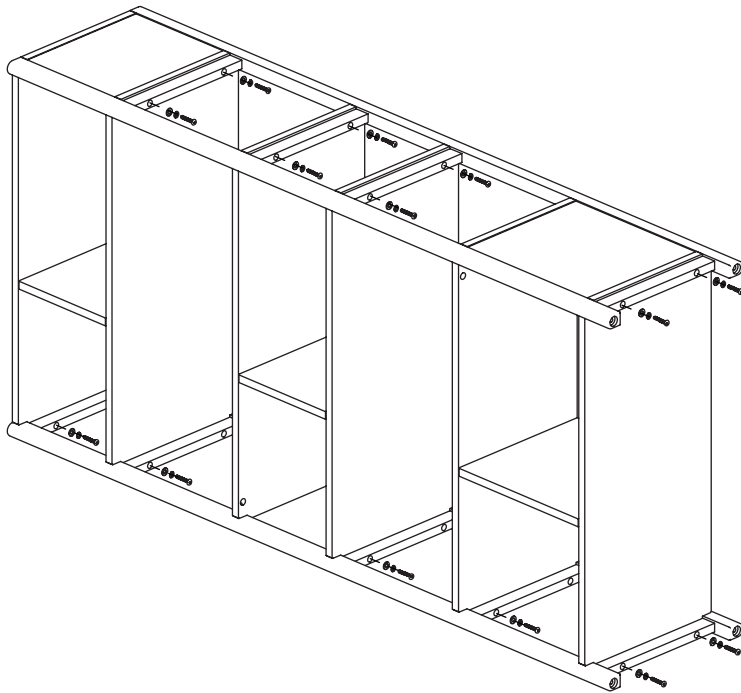
3



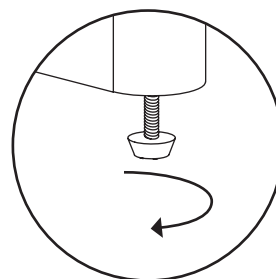
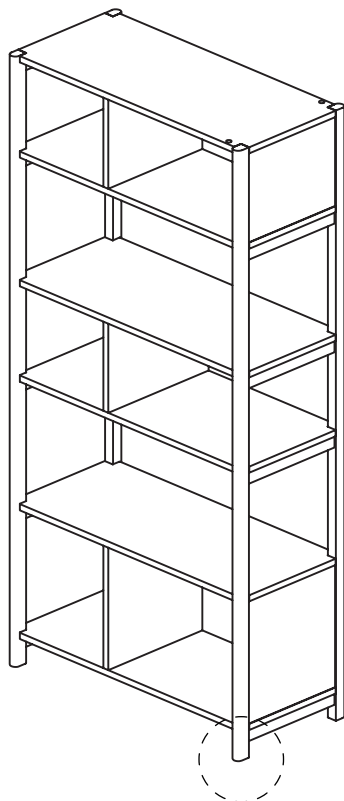
4



5



6



! Adjust leveler legs as needed.

7

