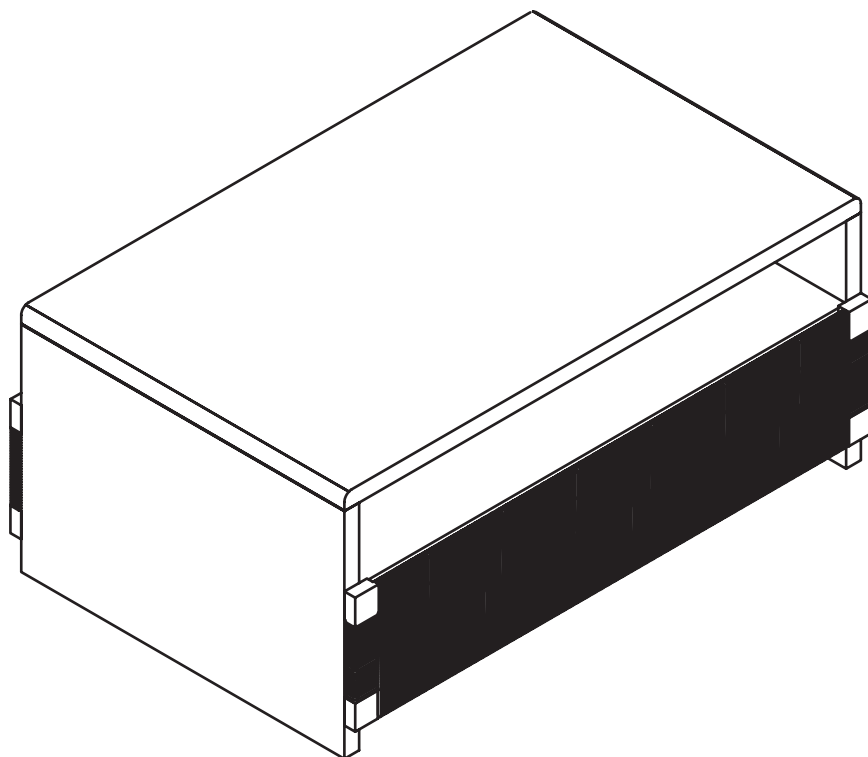


# ARTICLE.

VERSION 1.0

## Assembly Instructions



# MONTEREY

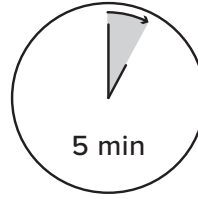
Coffee Table

## ASSEMBLY INSTRUCTIONS

Read these instructions carefully and keep for future reference. Refer to parts inventory for guidance, and ensure you have all pieces before starting.

When assembling, place all parts on a soft, clean, and flat surface such as a carpet to prevent scratches.

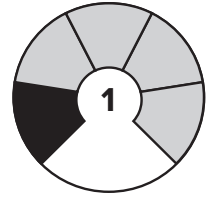
If you're having difficulty, our friendly Customer Care team is always here to help. Call us at **1.888.746.3455** during business hours, email [service@article.com](mailto:service@article.com) or chat live at [article.com](http://article.com).



TIME

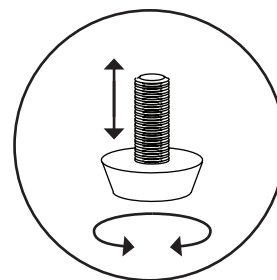
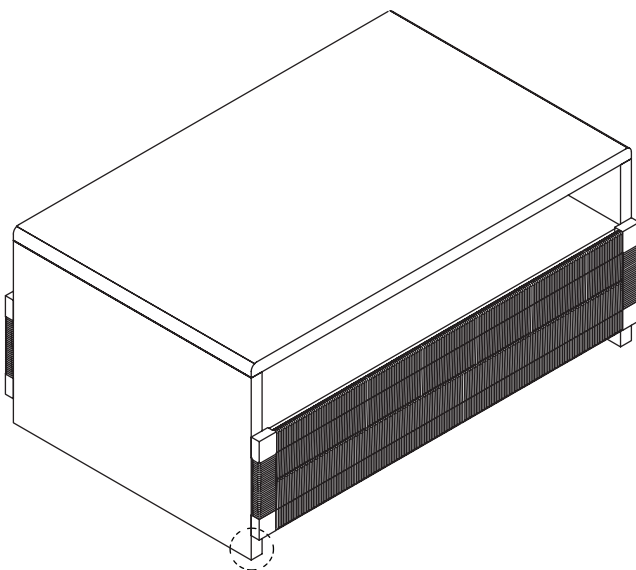


# OF PEOPLE



DIFFICULTY

1



Adjust levelers as needed.

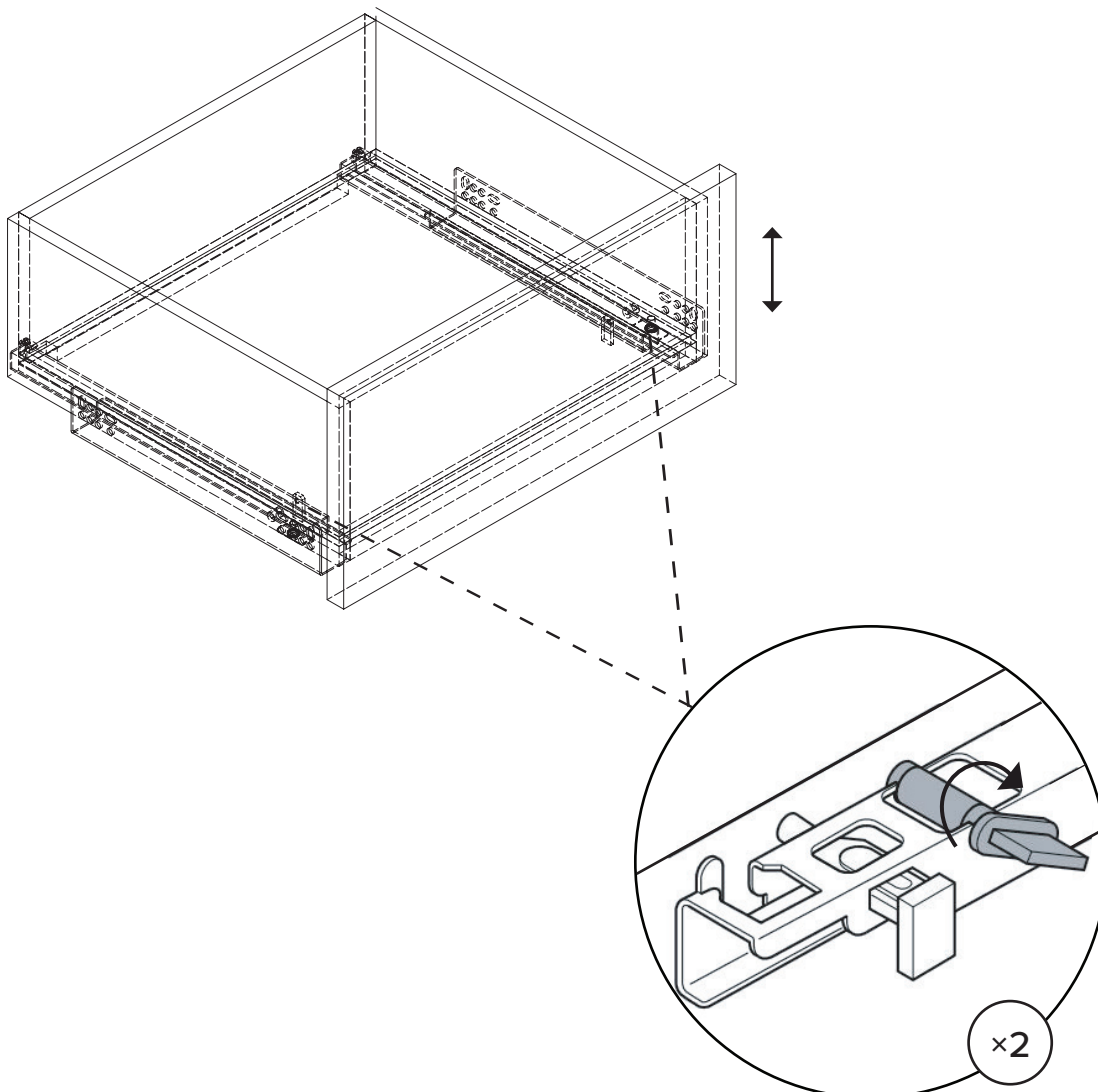
## SOFT CLOSING DRAWERS ADJUSTMENT INSTRUCTIONS



Structural integrity is warranted only if all fasteners are properly installed and tightened, and the drawer is moved only per instruction.

If you're having difficulty, our friendly customer care team is always here to help. Call us at **1.888.746.3455** during business hours, email [service@article.com](mailto:service@article.com) or chat live at [article.com](https://www.article.com).

### FIXED A CROOKED DRAWER

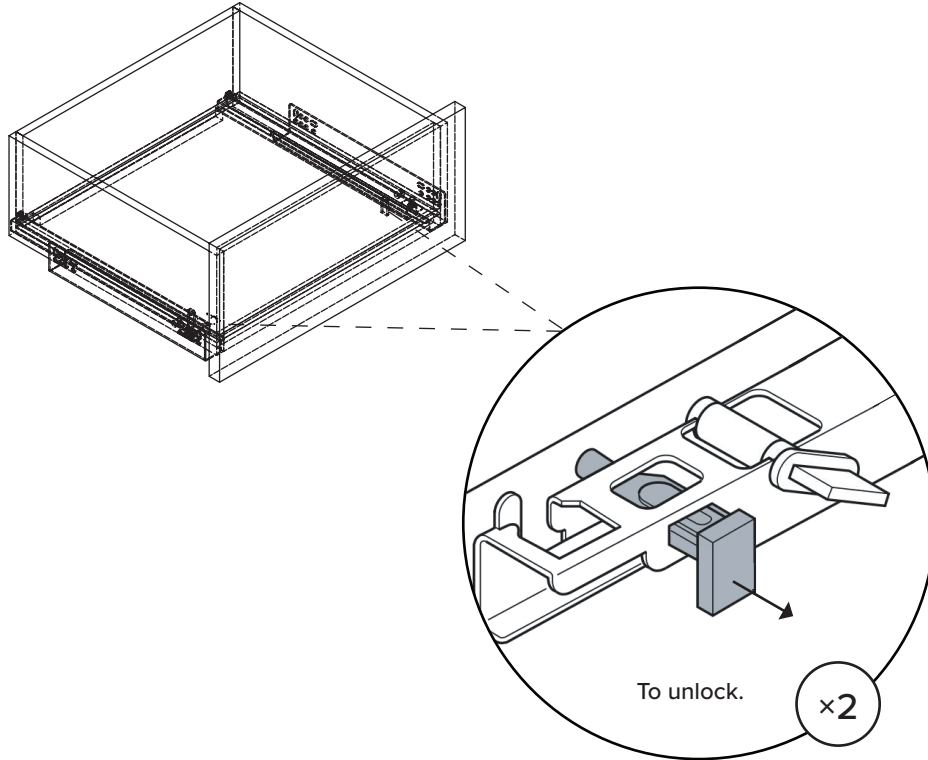


Adjust levelers on either side of drawer as needed to straighten drawer.

1

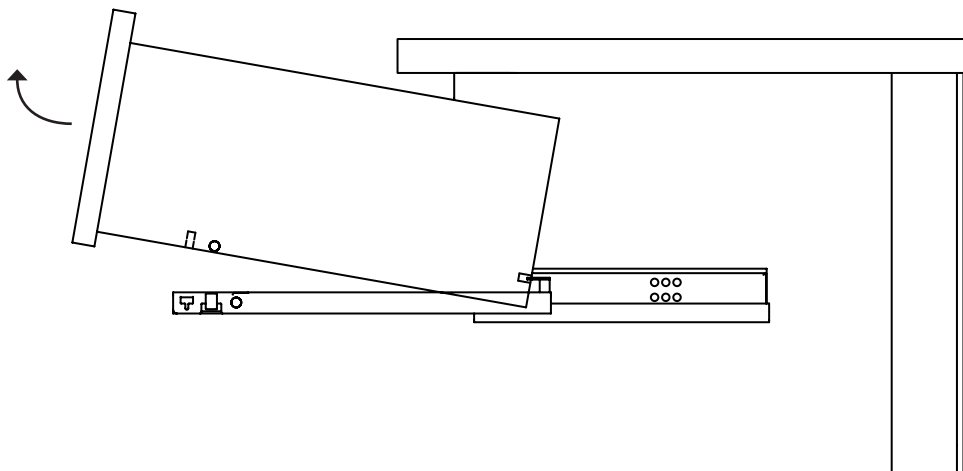
REMOVE DRAWER

---



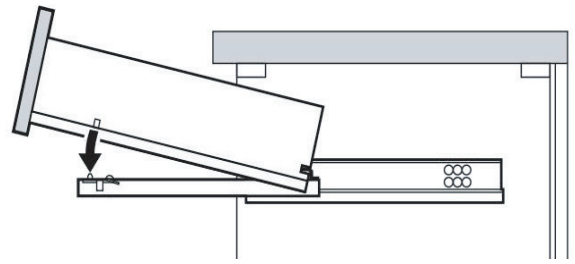
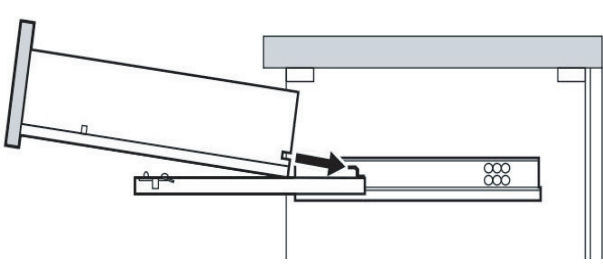
2

---



1 — INSTALL DRAWER

---



2

---

