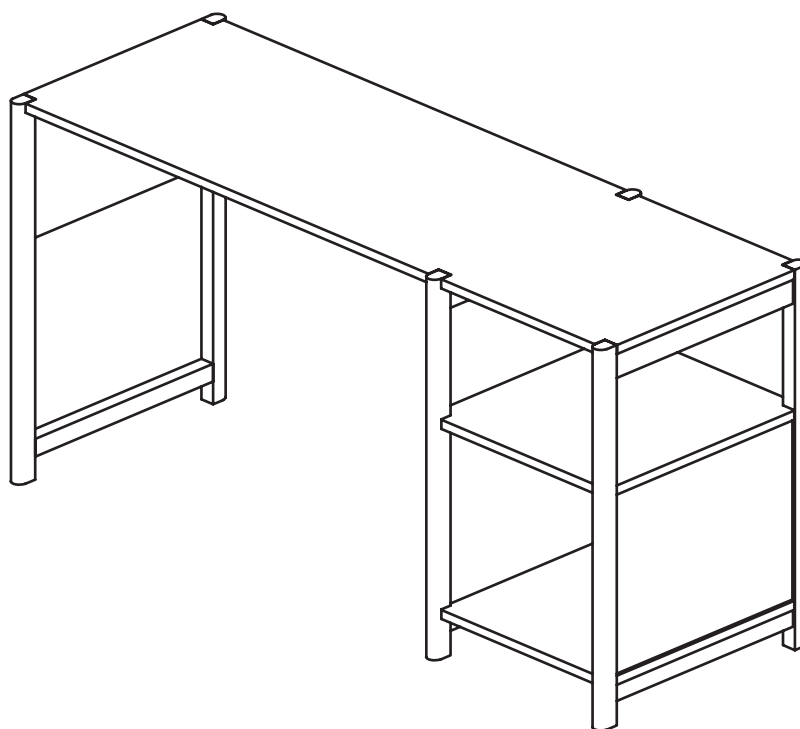


ARTICLE.

VERSION 1.0

Assembly Instructions



MYSEN

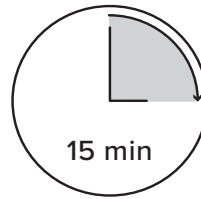
Desk

ASSEMBLY INSTRUCTIONS

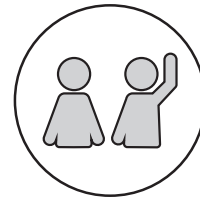
Read these instructions carefully and keep for future reference. Refer to parts inventory for guidance, and ensure you have all pieces before starting.

When assembling, place all parts on a soft, clean, and flat surface such as a carpet to prevent scratches.

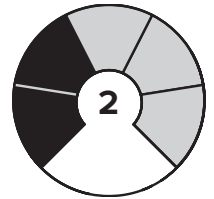
If you're having difficulty, our friendly Customer Care team is always here to help. Call us at **1.888.746.3455** during business hours, email service@article.com or chat live at [article.com](https://www.article.com).



TIME



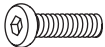


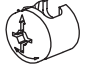
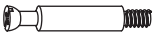




OF PEOPLE

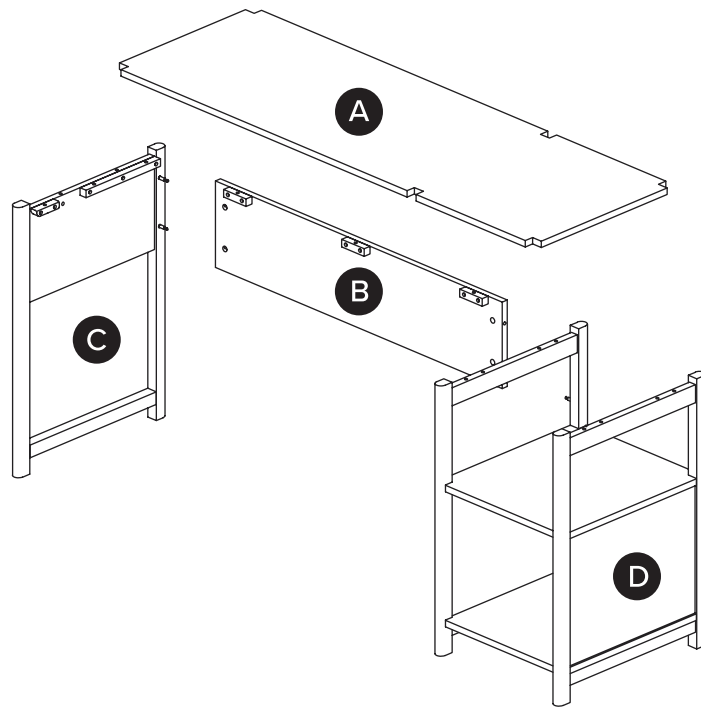


DIFFICULTY

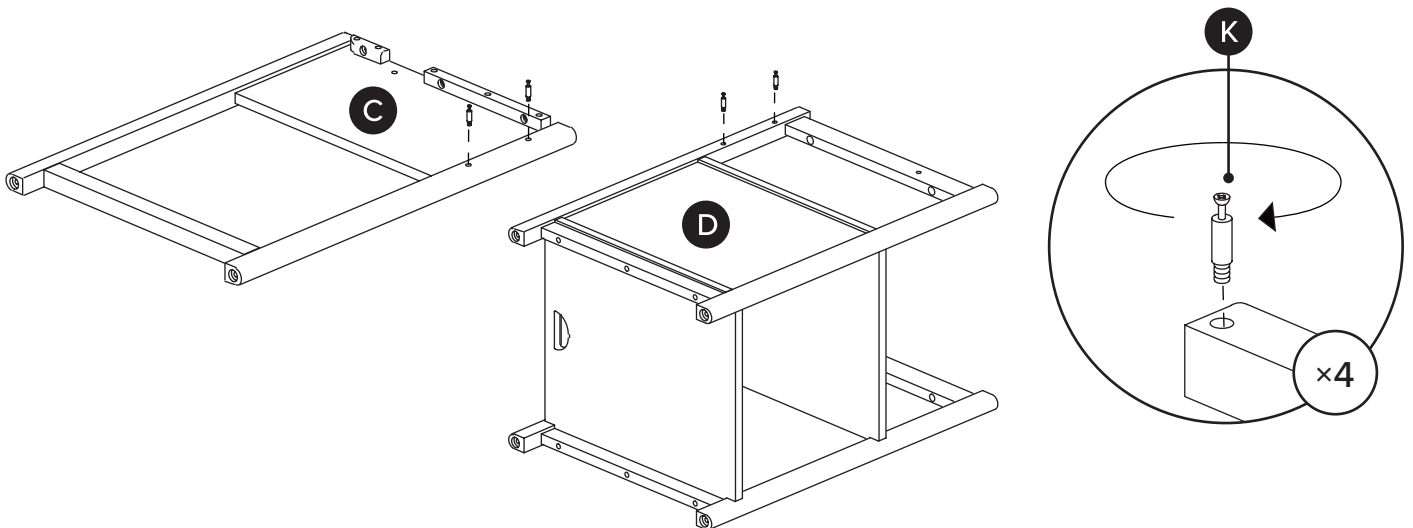
PARTS INVENTORY		
ID	DESCRIPTION	QTY
A	TABLE TOP	1
B	BACK PANEL	1
C	LEFT LEG FRAME	1
D	RIGHT STORAGE CABINET FRAME	1

PARTS INVENTORY CONT.		
ID	DESCRIPTION	QTY
E	ALLEN KEY 	1
F	M6 × 25MM BOLT 	8
G	M6 × 45MM BOLT 	4
H	M6 WASHER 	12
I	M6 FLAT WASHER 	12
J	CAMLOCK 	4
K	CAMBOLT 	4
L	STICKERS 	4
M	WOODEN DOWEL 	6

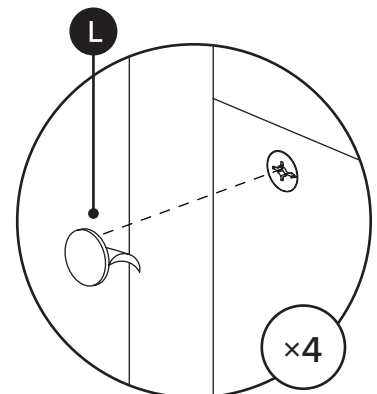
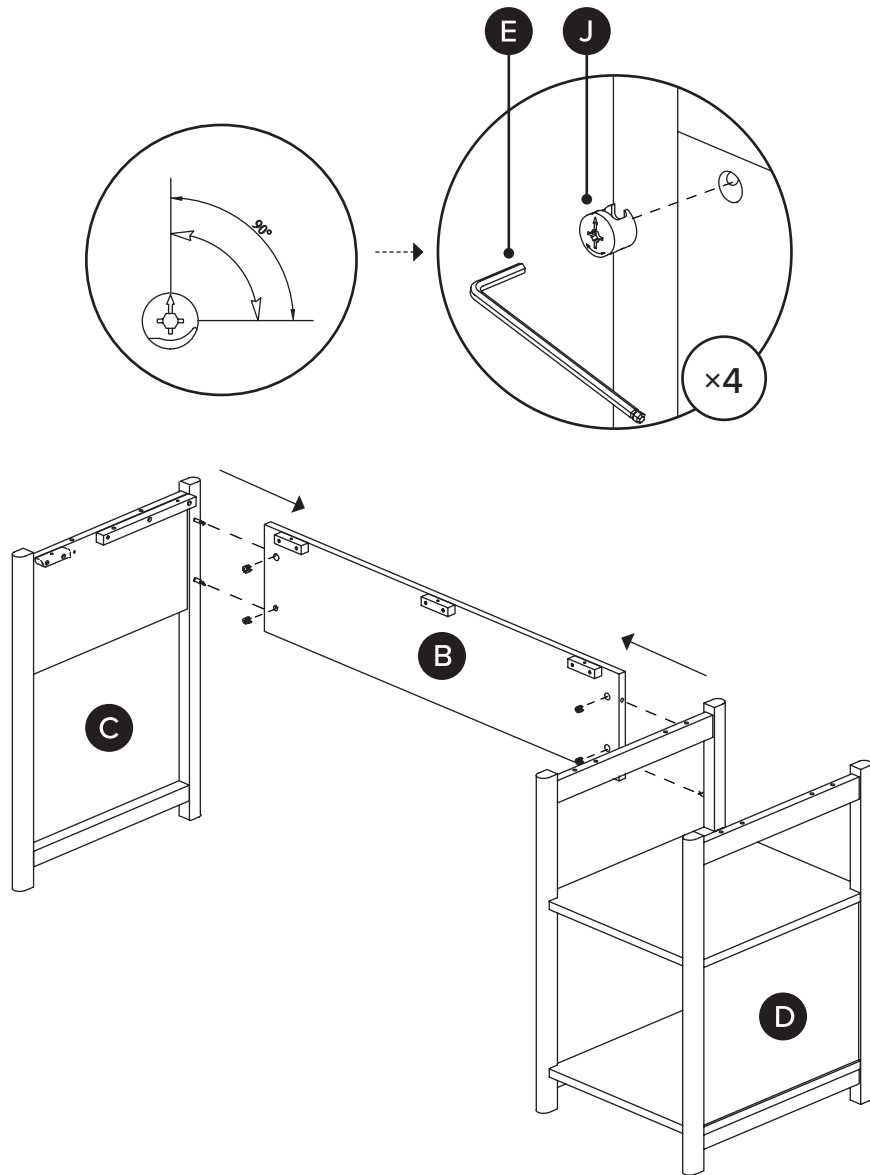
i



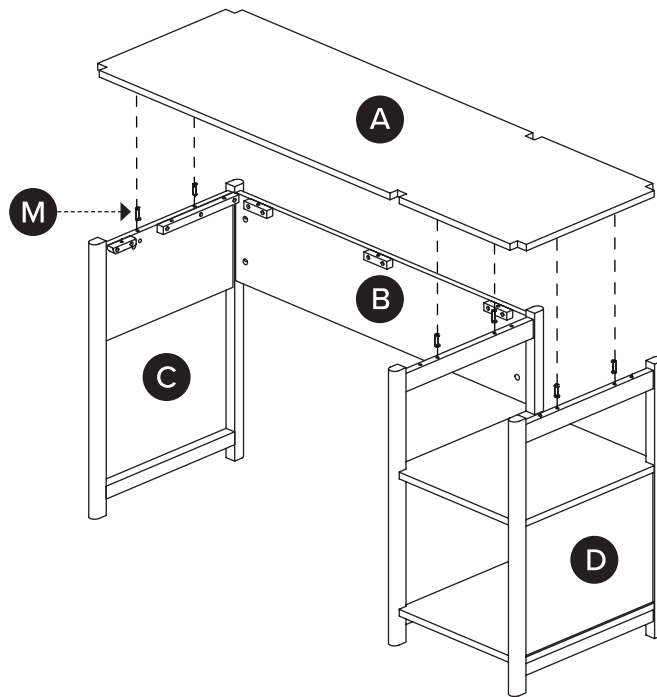
1



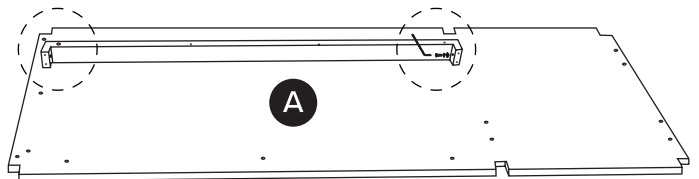
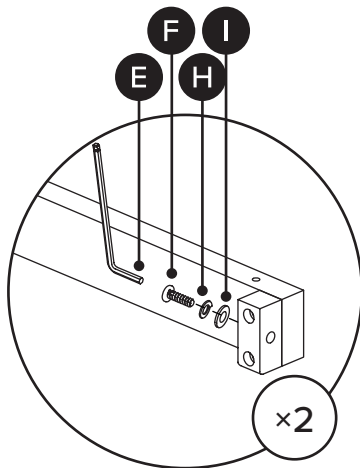
2



3A

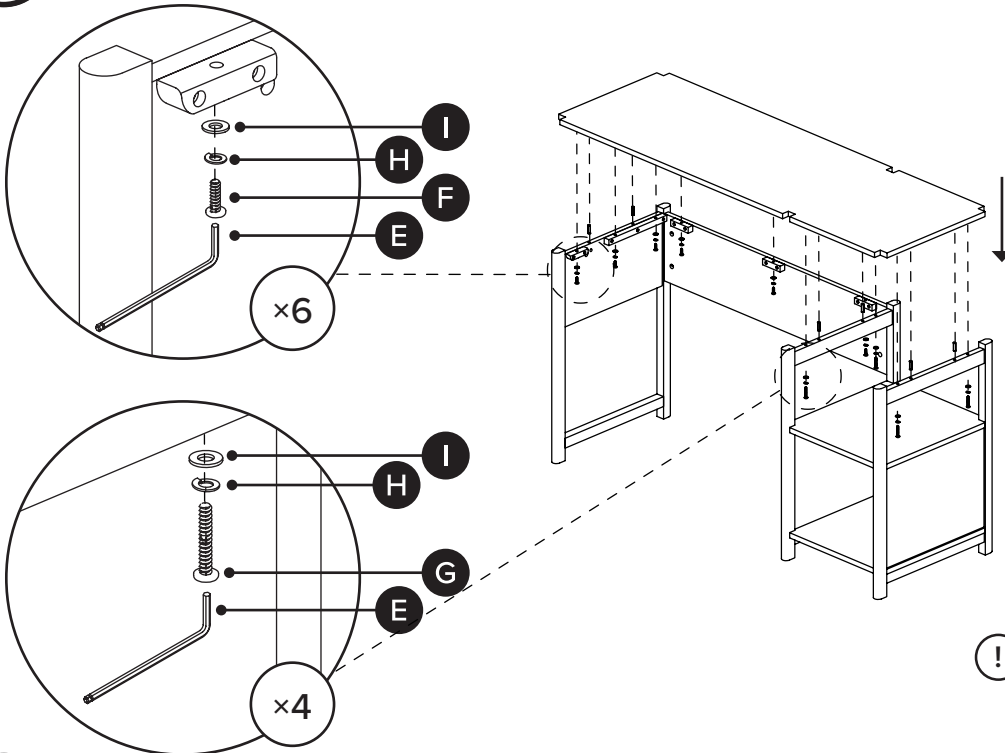


3B



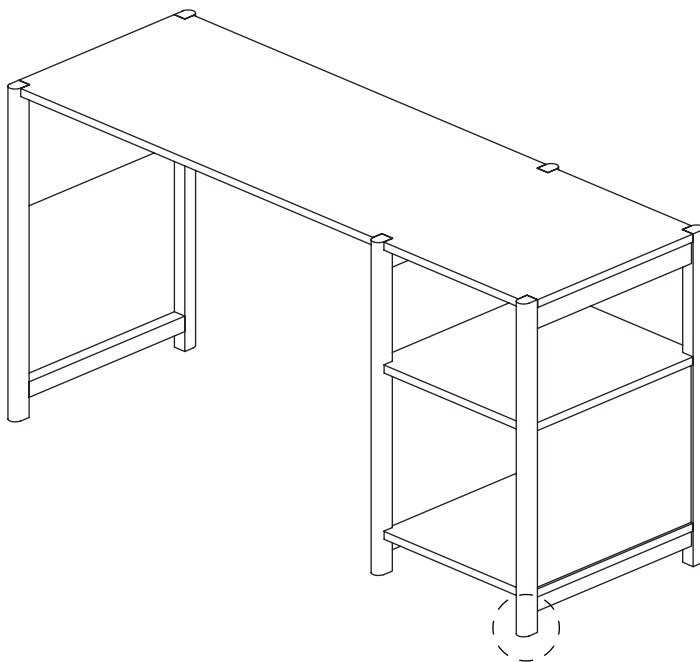
! To attach table top (A) onto left leg (C) and right storage cabinet frame (D): Insert bolts to holes from bar underneath table top (A).

3C



! Tighten the bolts 100% to ensure the desk is sturdy to use.

4



! Tighten the bolts 100% to ensure the desk is sturdy to use.

! Adjust leveler as needed.