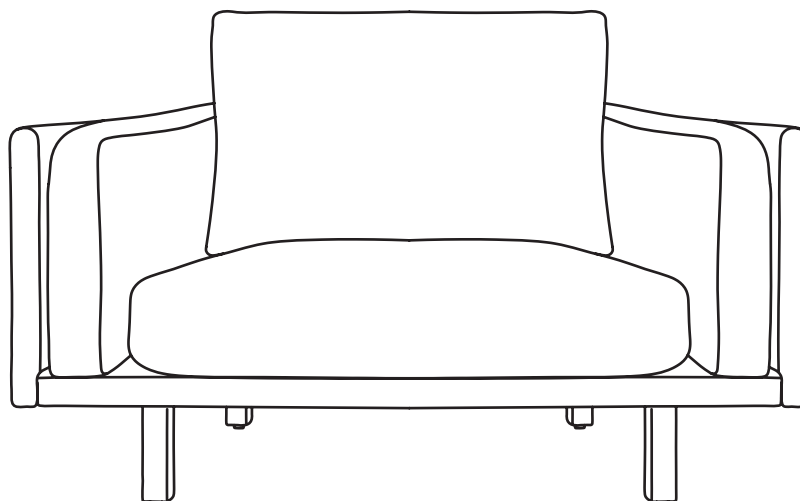


ARTICLE.

VERSION 1.0

Assembly Instructions



EMERSON

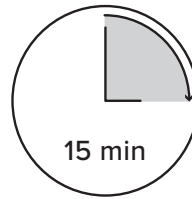
Lounge Chair

ASSEMBLY INSTRUCTIONS

Read these instructions carefully and keep for future reference. Refer to parts inventory for guidance, and ensure you have all pieces before starting.

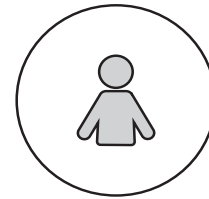
When assembling, place all parts on a soft, clean, and flat surface such as a carpet to prevent scratches.

If you're having difficulty, our friendly Customer Care team is always here to help. Call us at **1.888.746.3455** during business hours, email service@article.com or chat live at [article.com](https://www.article.com).

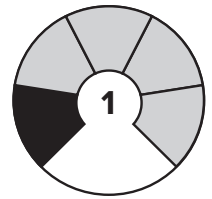


15 min



TIME



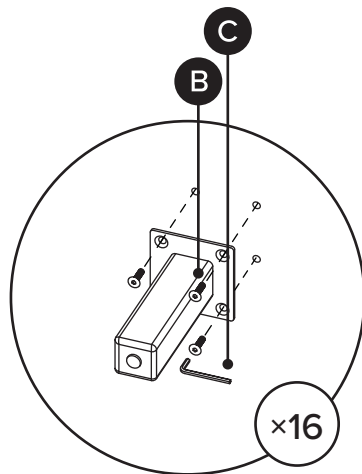
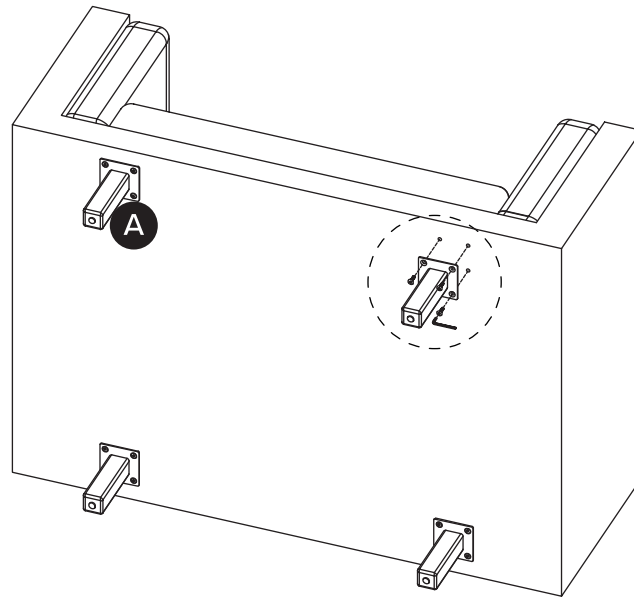
OF PEOPLE



DIFFICULTY

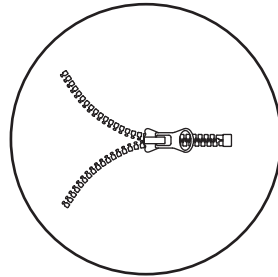
PARTS INVENTORY		
ID	DESCRIPTION	QTY
A	SIDE LEG	4
B	BOLT 	16
C	ALLEN KEY 	1

1



! Fully tighten all bolts once legs are aligned properly.

2



! Connect the back cushions to the chair with zippers.

