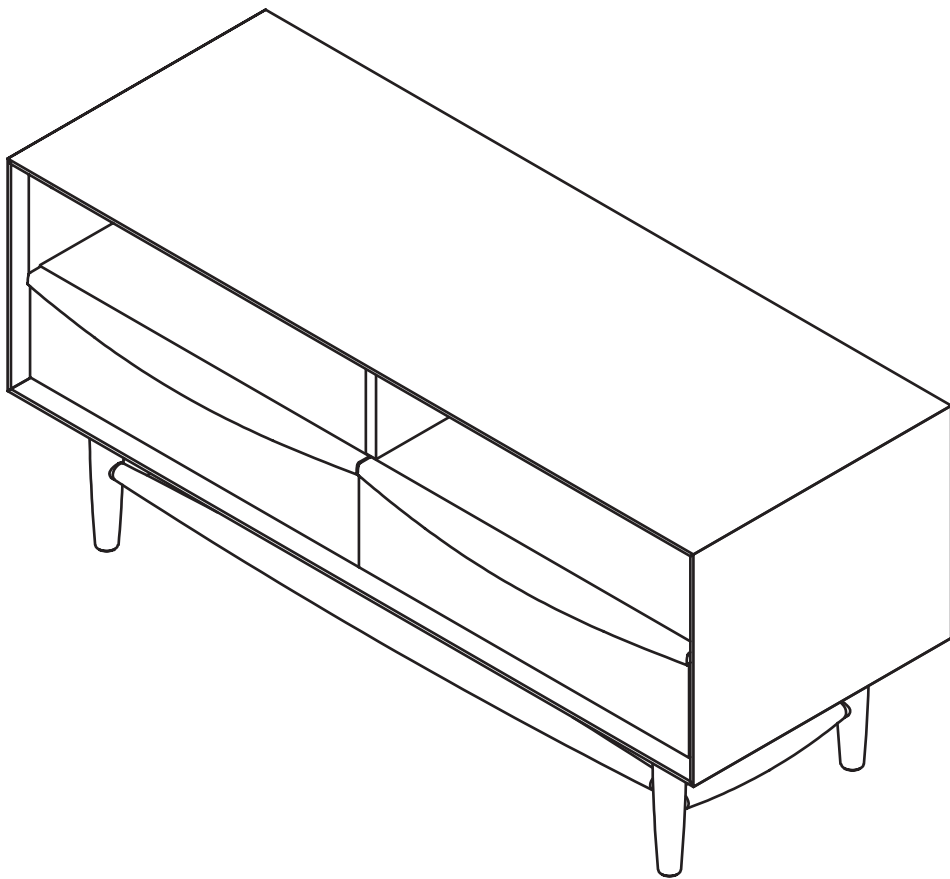


ARTICLE.

VERSION 1.0

Assembly Instructions



LENIA

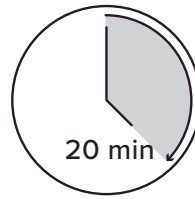
42" Media Unit

ASSEMBLY INSTRUCTIONS

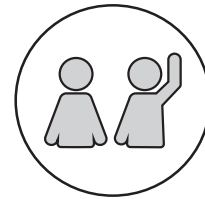
Read these instructions carefully and keep for future reference. Refer to parts inventory for guidance, and ensure you have all pieces before starting.

When assembling, place all parts on a soft, clean, and flat surface such as a carpet to prevent scratches.

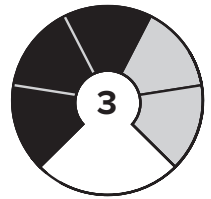
If you're having difficulty, our friendly Customer Care team is always here to help. Call us at **1.888.746.3455** during business hours, email service@article.com or chat live at [article.com](https://www.article.com).



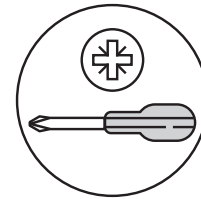
TIME



OF PEOPLE

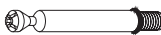






DIFFICULTY



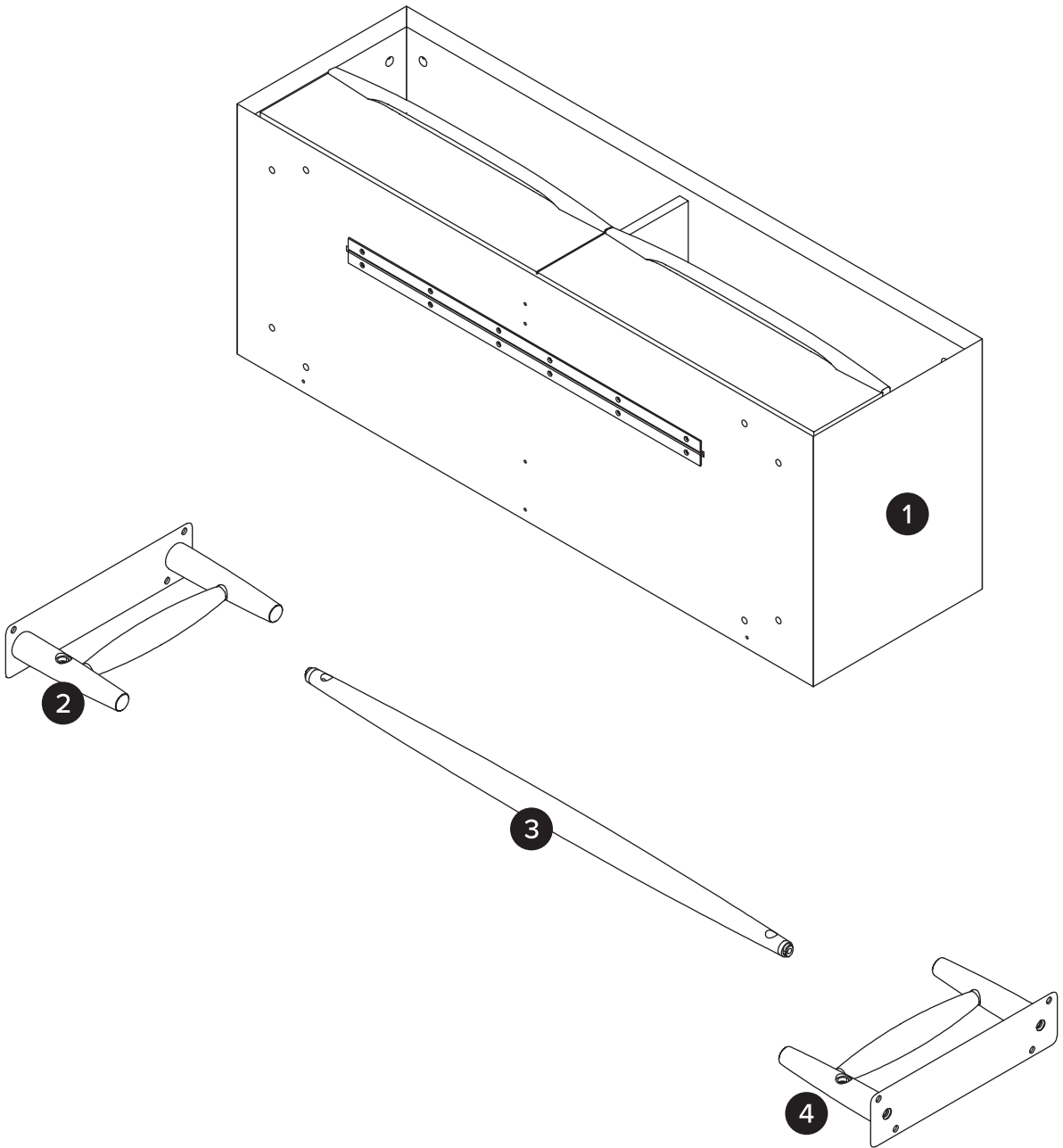
REQUIRED TOOL

Pozidriv screwdriver

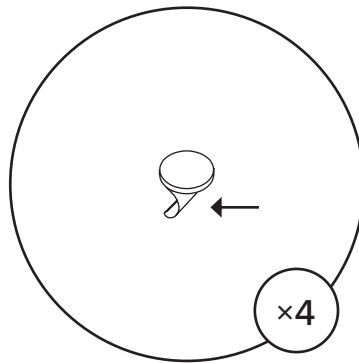
PARTS INVENTORY		
ID	DESCRIPTION	QTY
A	COMPRESSION FITTING ANCHOR 	2
B	SCREW 	2
C	ALLEN KEY 	1
D	BOLT 	8
E	STICKER 	4



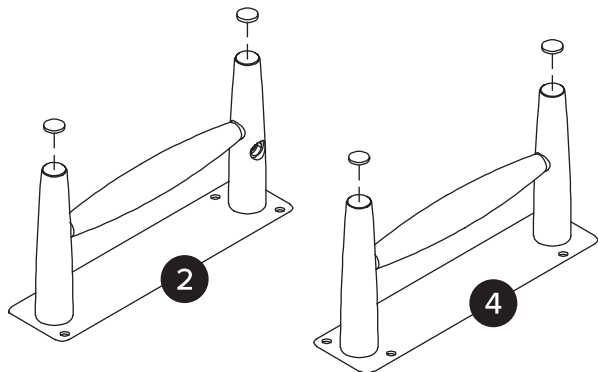
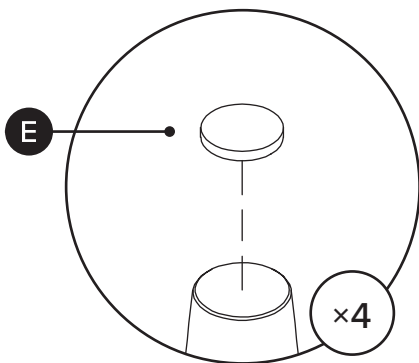
Please ensure products are laid on a smooth and soft surface while assembling in order to avoid unexpected scratches and dents.



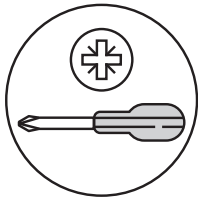
1



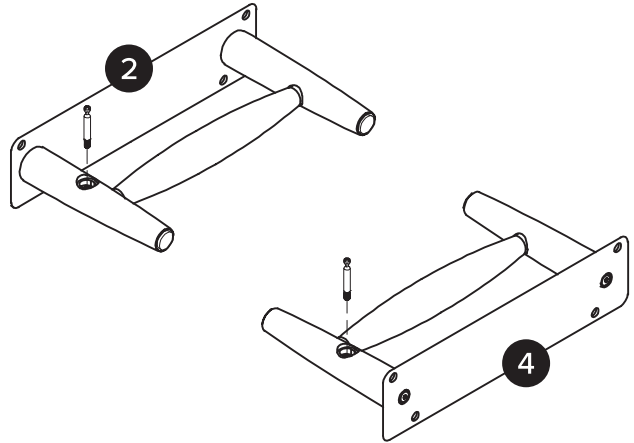
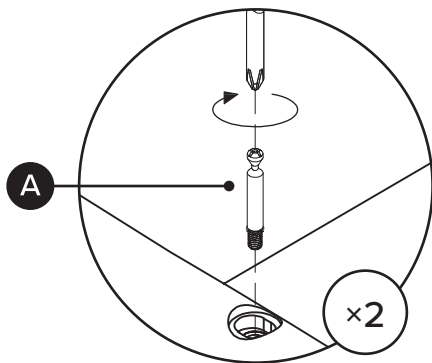
2



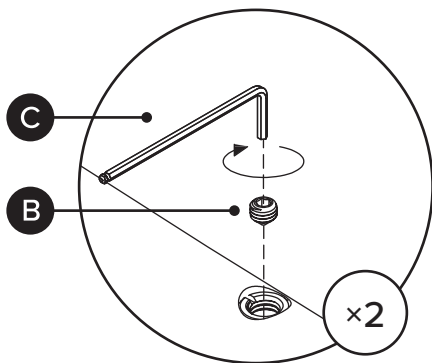
3



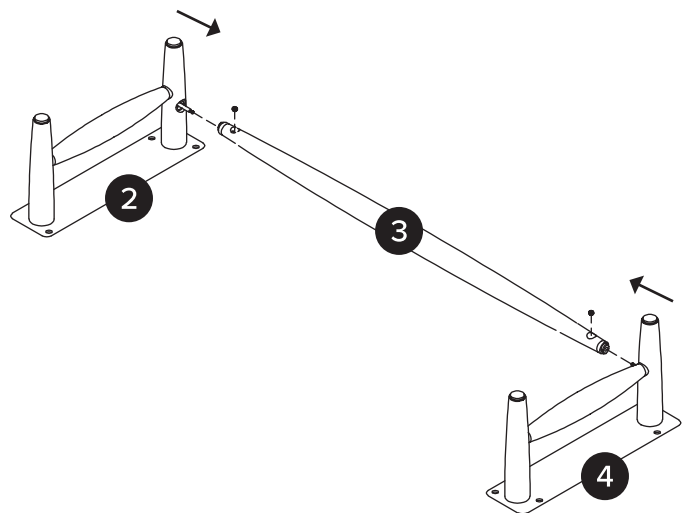
! NOT using power tool, only using the recommended hand tools.



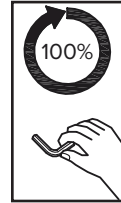
4



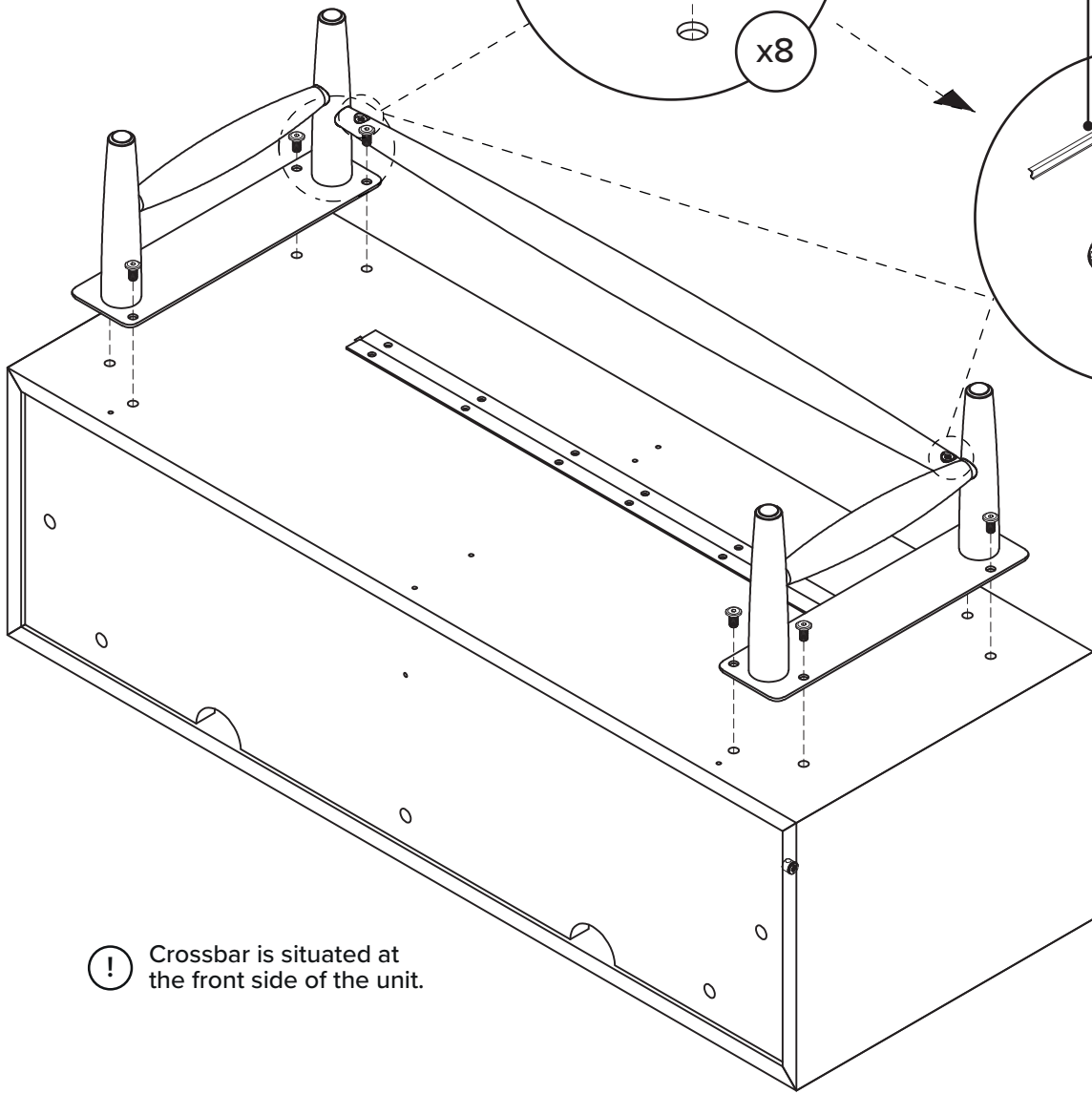
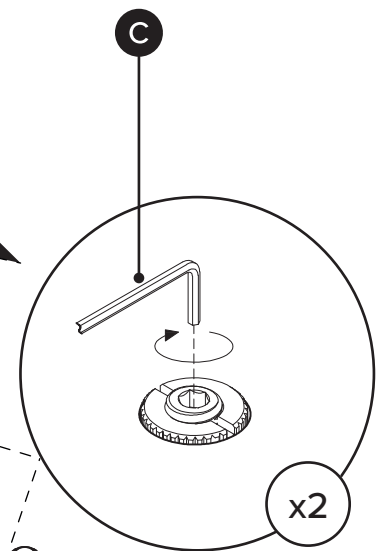
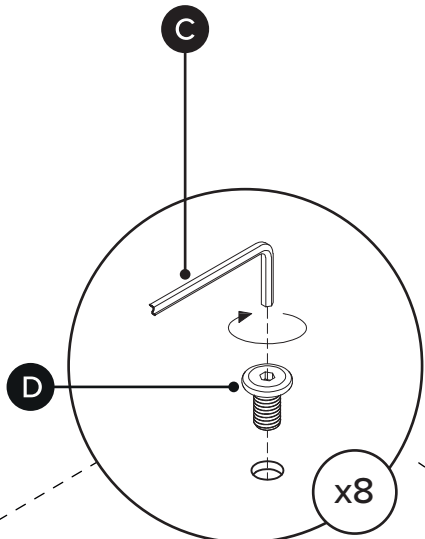
! Do not fully tighten bolts.



5



! Fully tighten screw (B).



! Crossbar is situated at the front side of the unit.

DRAWERS

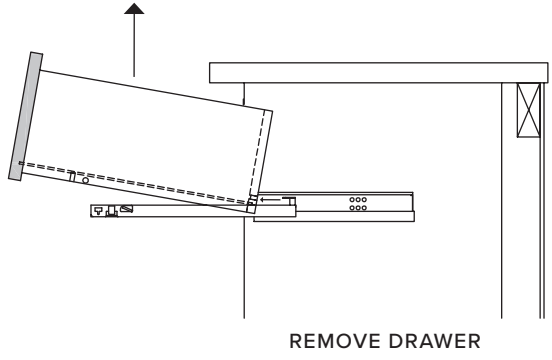
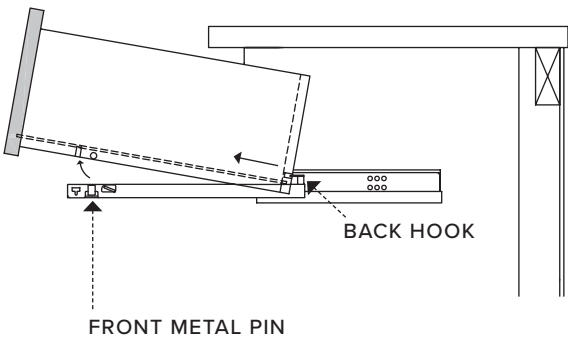
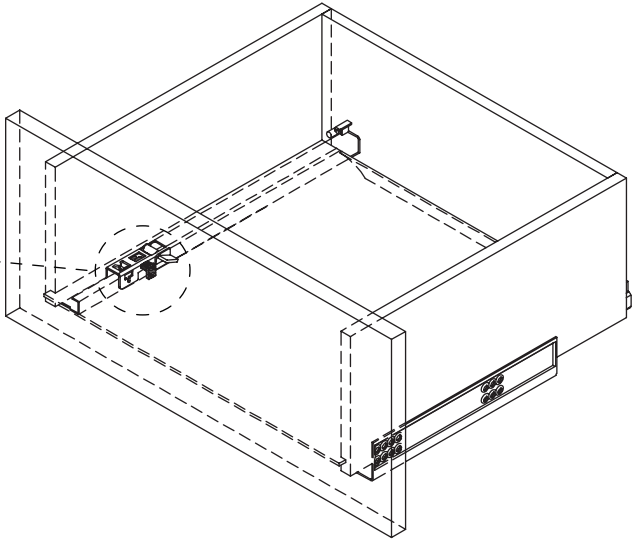
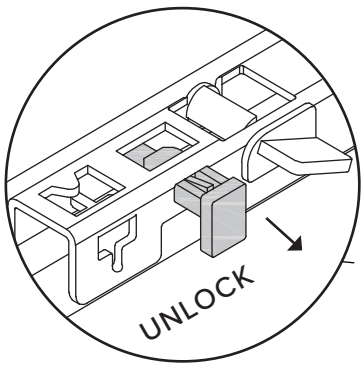
ADJUSTMENT INSTRUCTIONS

! Structural integrity is warranted only if all fasteners are properly installed and tightened, and the drawer is moved only per instruction.

If you're having difficulty, our friendly customer care team is always here to help. Call us at **1.888.746.3455** during business hours, email **service@article.com** or chat live at **article.com**.

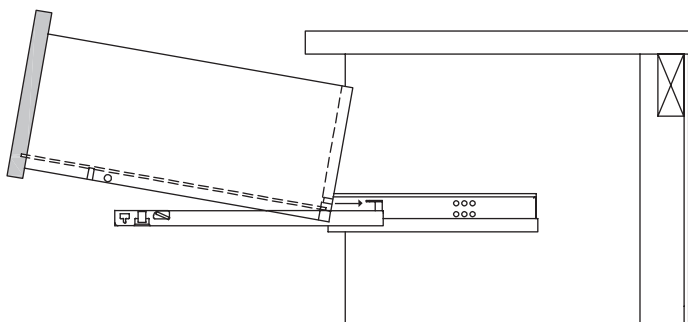
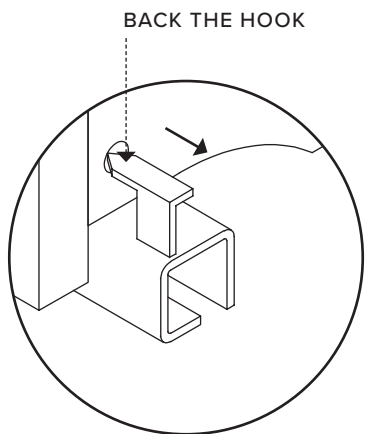
1

REMOVE DRAWER



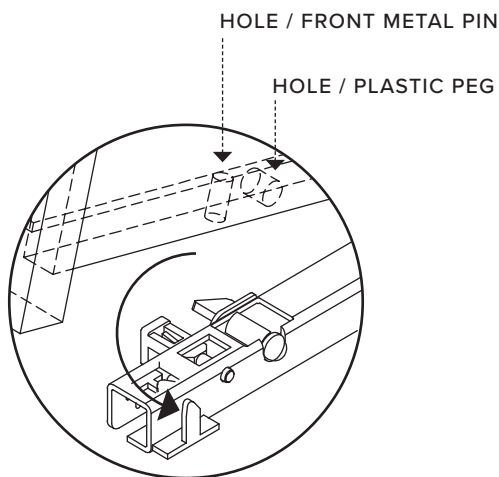
! Hold both runners with both of your hands. Carefully lift the drawer front up from the front metal pin, then slide forward to remove from back hooks.

2A ASSEMBLE



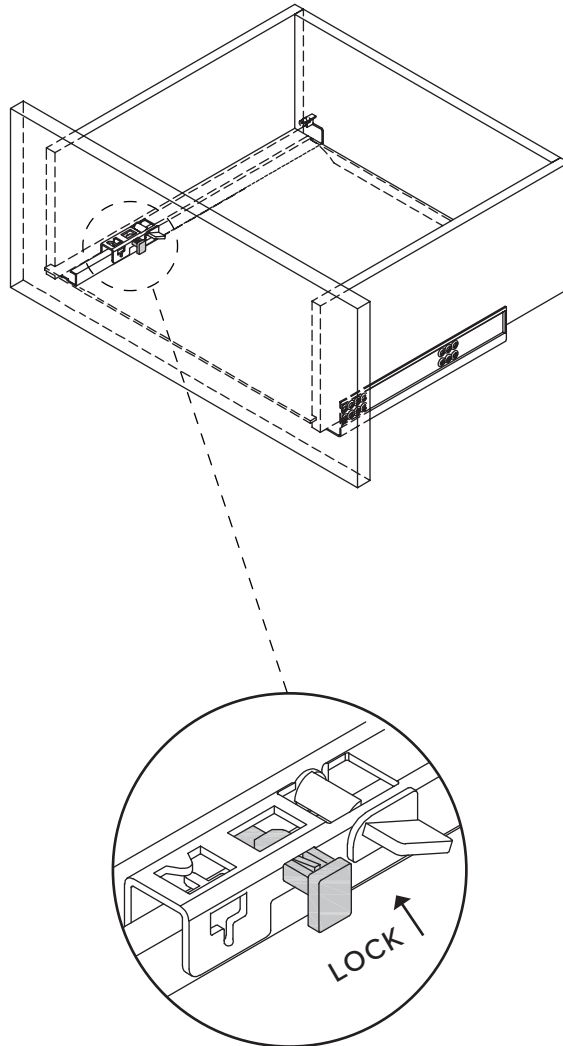
! Extend the runner all the way out. Put out the drawer onto them then hold both the runners with your hands, lift the drawer up with your thumbs and push to hook the drawer at the end of the runner.

2B



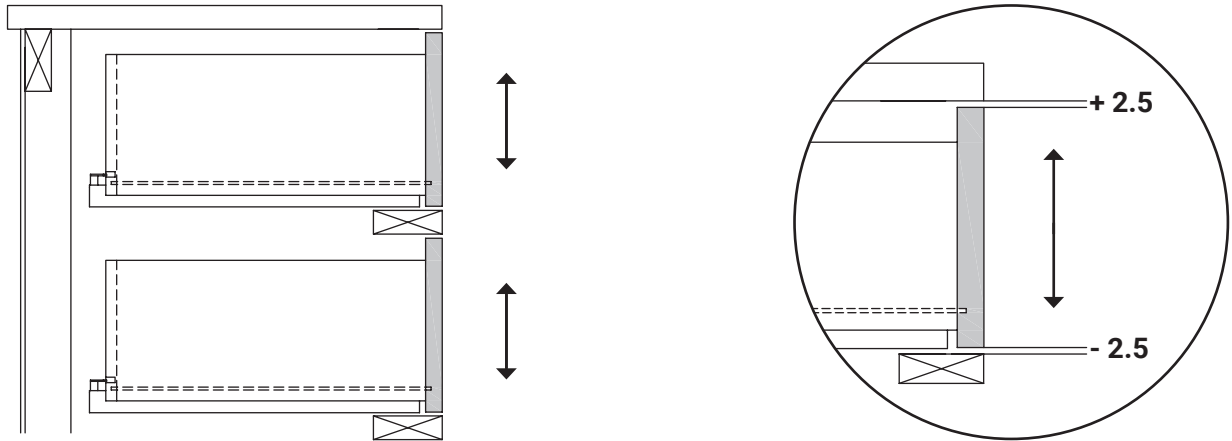
! Once the back hook is connected gently lower the drawer onto the front metal pin.

2C



Lock it by pushing the plastic peg on the runner in.

3A



3B

