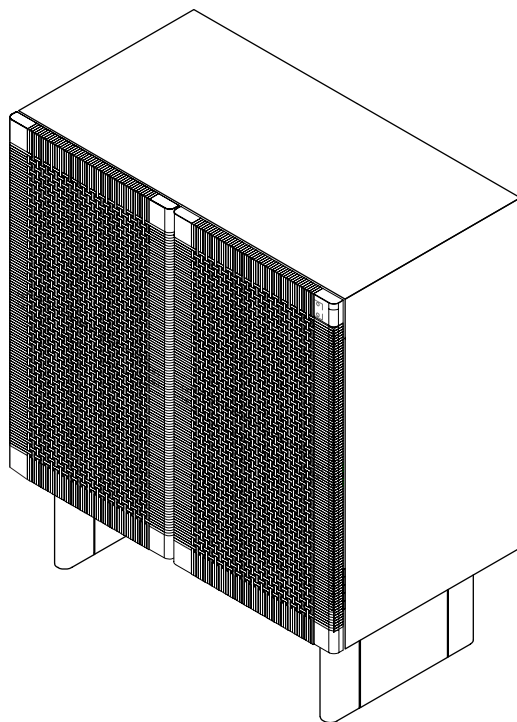


ARTICLE.

VERSION 1.1

Levelling/Alignment Instruction

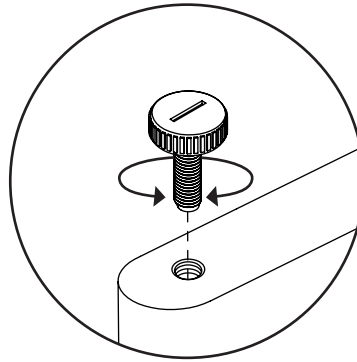


NOYKO

Rattan Cabinet

ADJUSTING LEVELER

Adjust the leveler in the bottom to get the cabinet in one level.

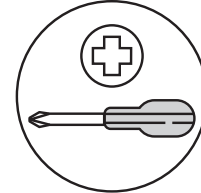


1

DOOR ADJUSTMENT INSTRUCTIONS



During shipping, the doors of your cabinet may have shifted slightly. This can easily be corrected by tightening a few screws. Always start by adjusting the top hinge on the affected door.

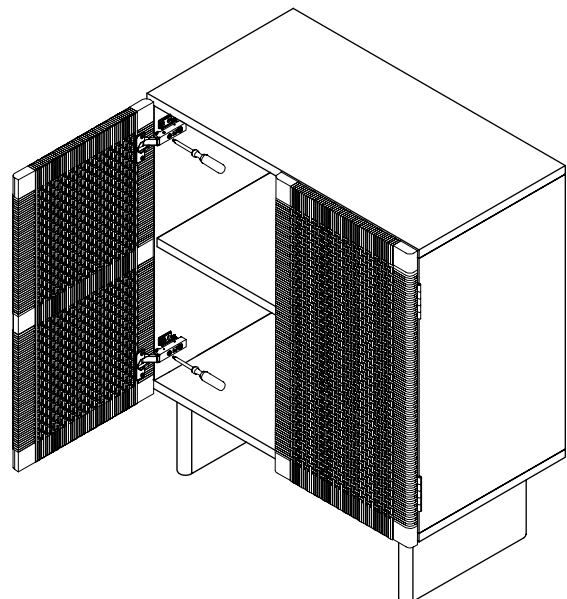
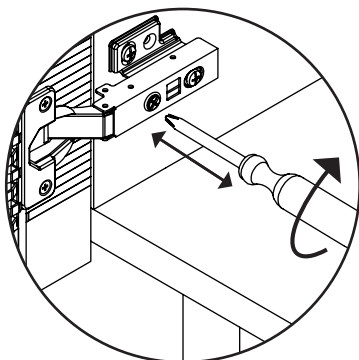


REQUIRED TOOL

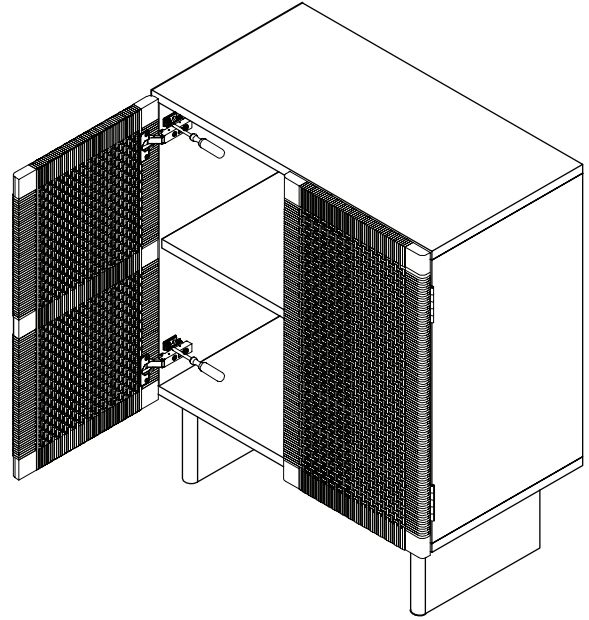
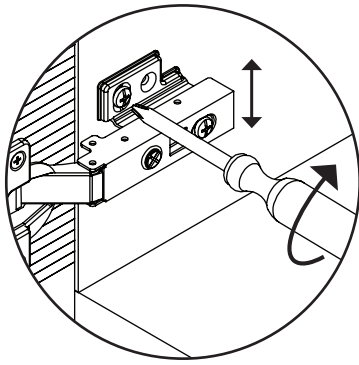
LEVELLING / ALIGNMENT



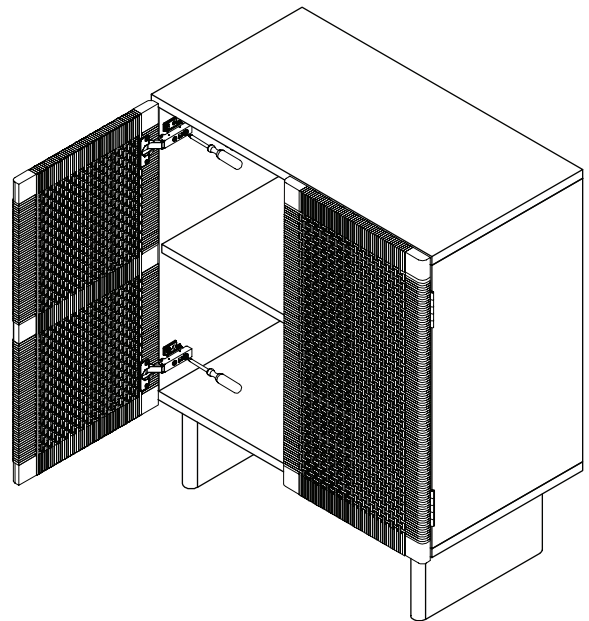
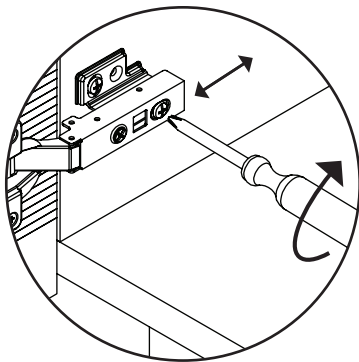
If the doors do not appear square or aligned, loosen or tighten the appropriate screws on each case hinge as illustrated.



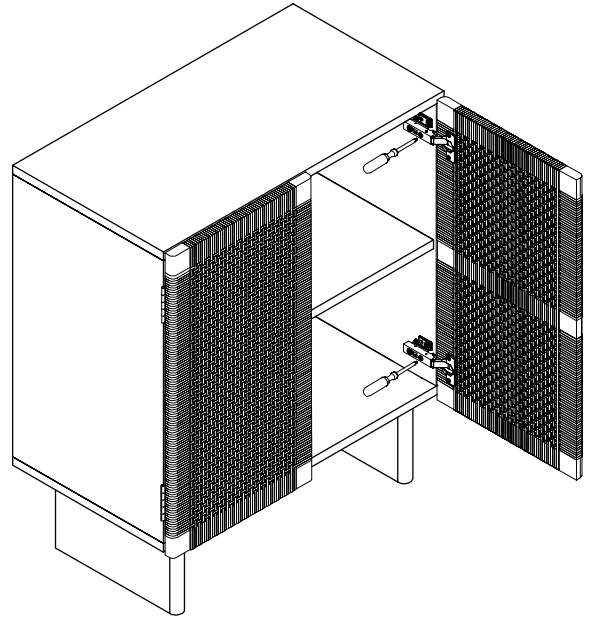
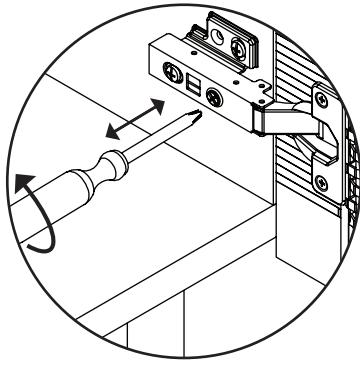
2



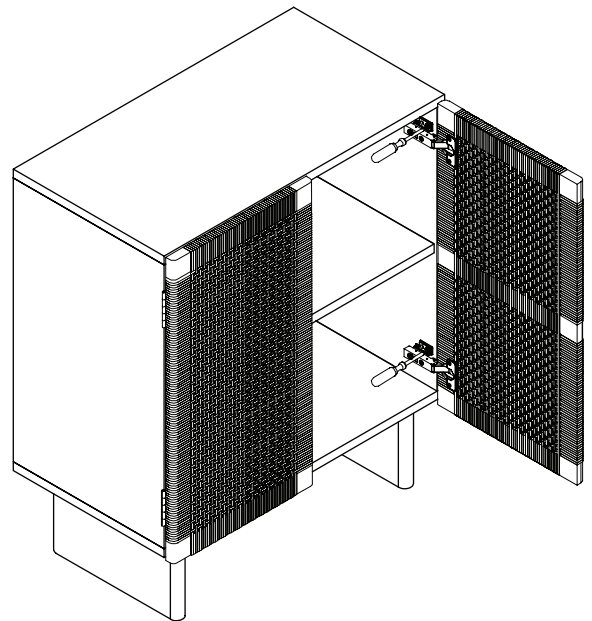
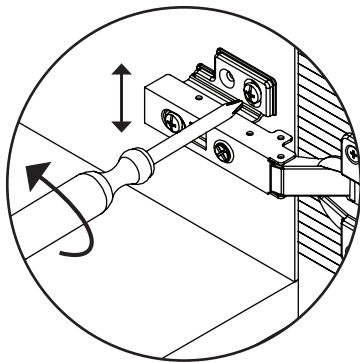
3



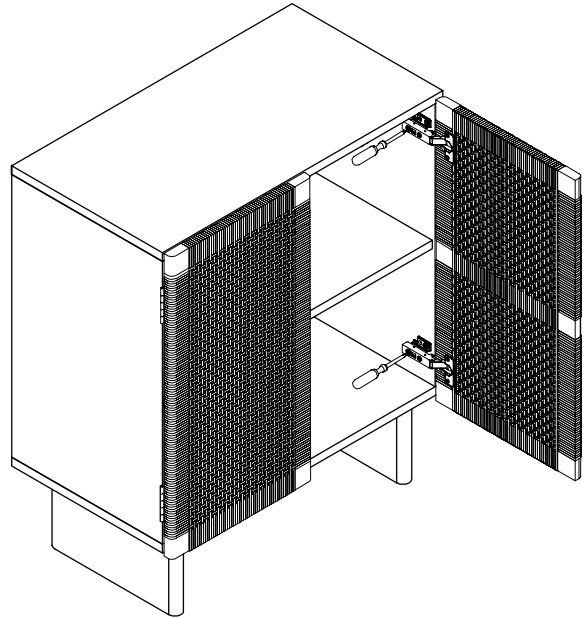
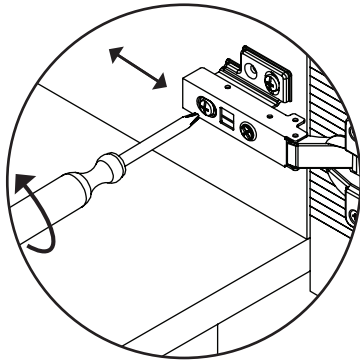
4



5

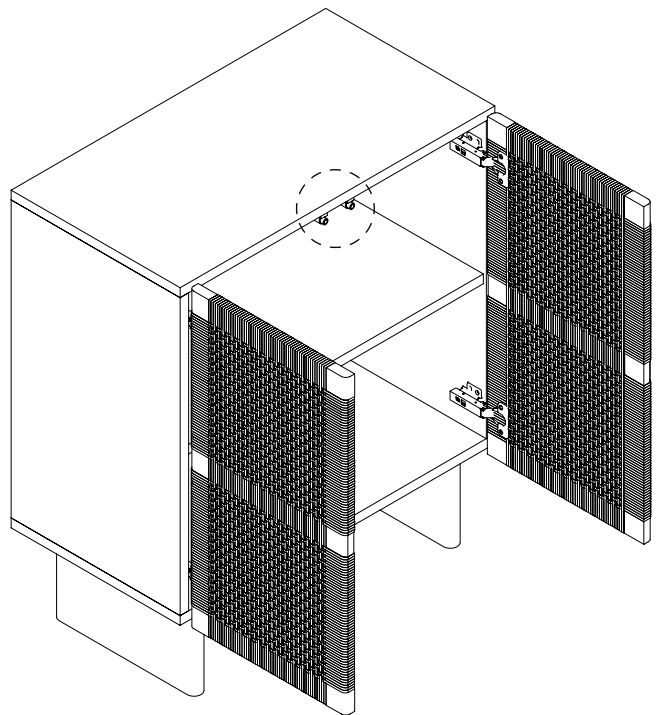
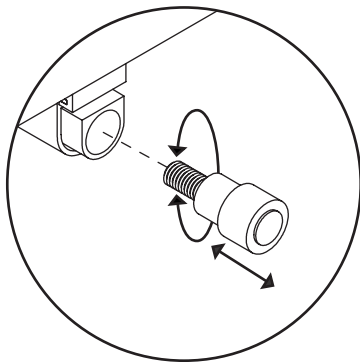


6



7

! If the push open hardware does not work properly, please adjust the front magnet on the hardware to the left or right so it can get the correct the length to return to its function properly.



ARTICLE.

1010 Raymur Ave.
Vancouver, BC V6A 3T2



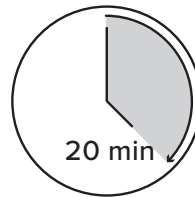
ANTI-TIP RESTRAINT INSTALLATION

WARNING!

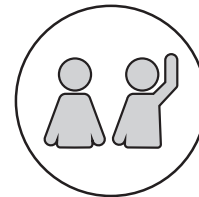
Serious or fatal crushing injuries can occur from furniture tip-over. To help prevent tip-over:

- Install tip-over restraint provided.
- Do not set heavy objects on top of this product, unless the product is specifically designed to accommodate them.
- Never allow children to climb or hang on mirrors, shelves, consoles, or cabinets with doors and/or drawers.

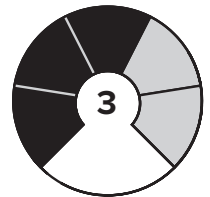
Use of tip-over restraints may only reduce but not eliminate, the risk of tip-over.



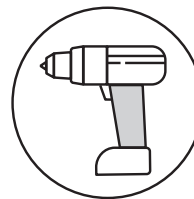
TIME



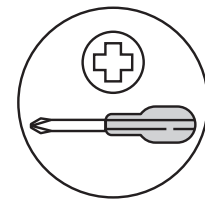
OF PEOPLE






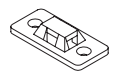

DIFFICULTY



REQUIRED TOOL
8MM / 5/16" DRILL BIT



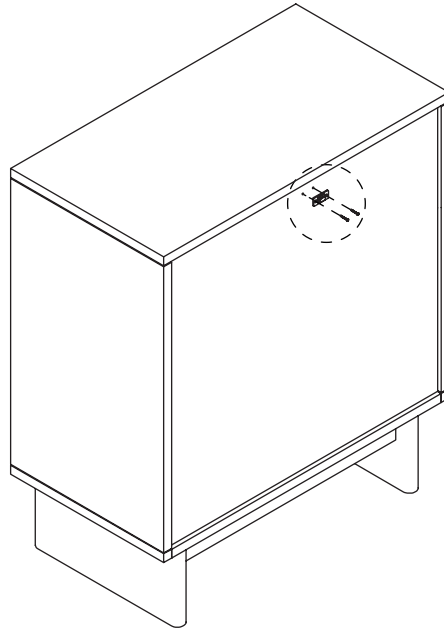
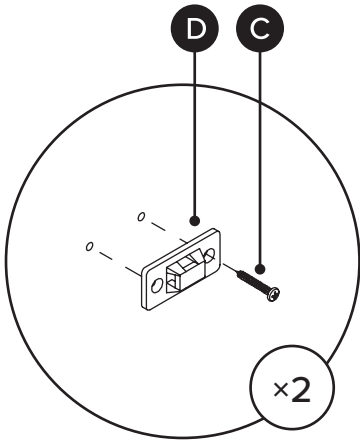
REQUIRED TOOL

PARTS INVENTORY		
ID	DESCRIPTION	QTY
A	STRAP 	1
B	M6 × 38MM SCREW 	2
C	M6 × 19MM SCREW 	2
D	M10 × 47MM BRACKET 	2
E	M6 × 30MM PLUG 	2

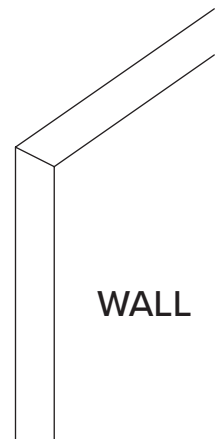
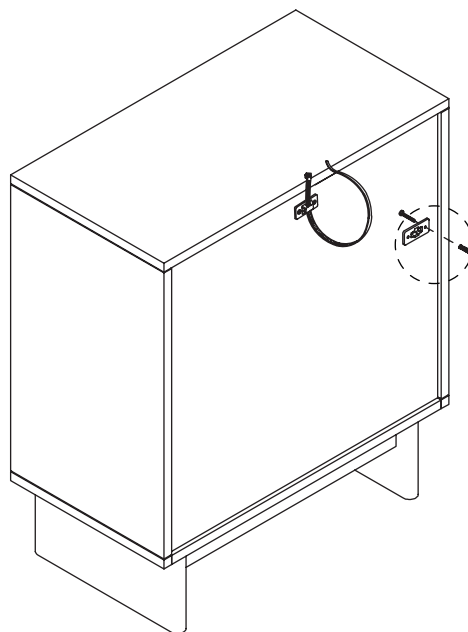
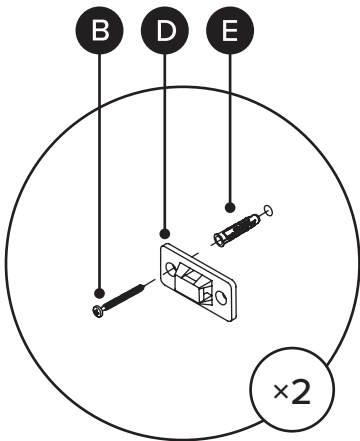


Hardware (B/E) to attach brackets to wall is designed for drywall. To attach this unit to another type of wall, consult with your local hardware store.

1



2



3

