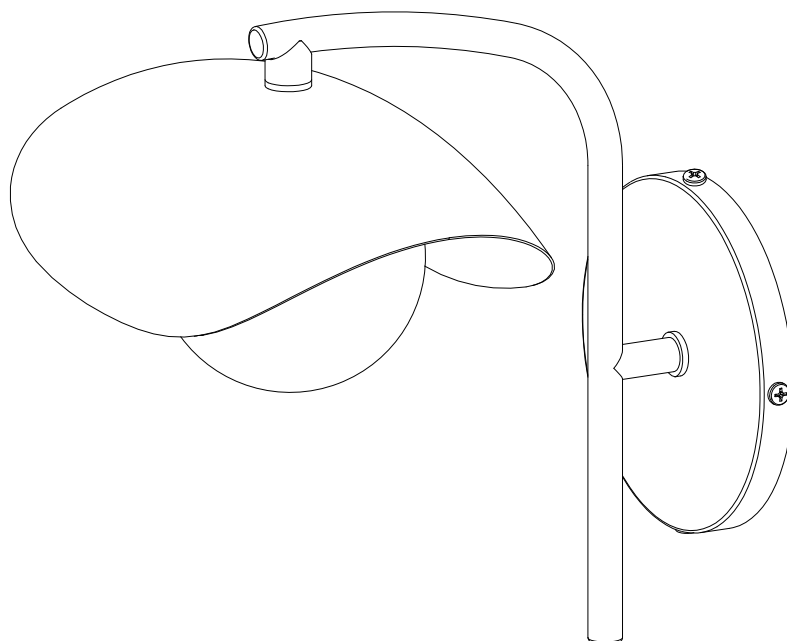


# ARTICLE.

VERSION 1.0

## Assembly Instructions



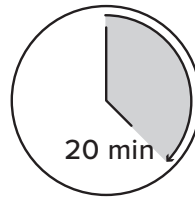
**COY**  
Sconce Lamp

## ASSEMBLY INSTRUCTIONS

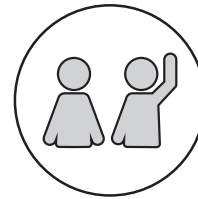
Read these instructions carefully and keep for future reference. Refer to parts inventory for guidance, and ensure you have all pieces before starting.

When assembling, place all parts on a soft, clean, and flat surface such as a carpet to prevent scratches.

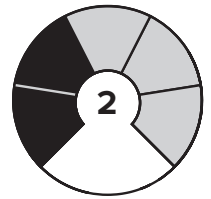
If you're having difficulty, our friendly Customer Care team is always here to help. Call us at **1.888.746.3455** during business hours, email [service@article.com](mailto:service@article.com) or chat live at [article.com](http://article.com).



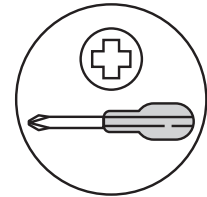
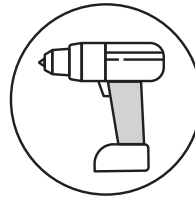
TIME




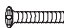



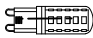

# OF PEOPLE



DIFFICULTY



REQUIRED TOOLS

PARTS INVENTORY		
ID	DESCRIPTION	QTY
<b>A</b>	WALL BRACKET 	1
<b>B</b>	MOUNTING SCREW 	2
<b>C</b>	WIRE NUT 	3
<b>D</b>	SHORT GREEN SCREW 	1
<b>E</b>	SIDE SCREW 	3
<b>F</b>	WALL BASE	1
<b>G</b>	BULB (G9 4W LED) 	1
<b>H</b>	GLASS SHADE 	1

1

---

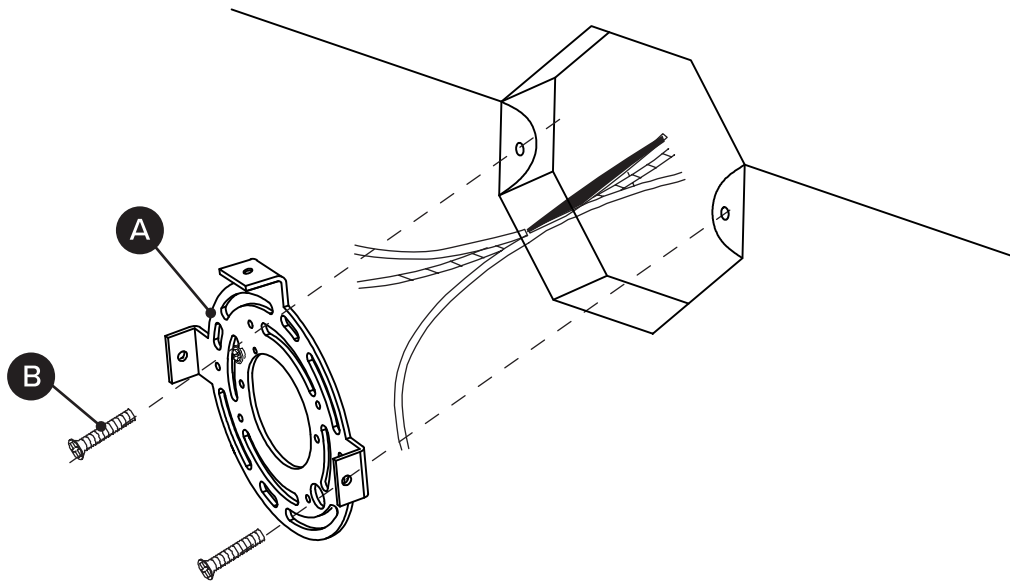
**!**

**CAUTION**  
Turn off power at main circuit panel  
before starting installation.

**!** Thread wires through wall bracket  
(A) before attaching to junction box.

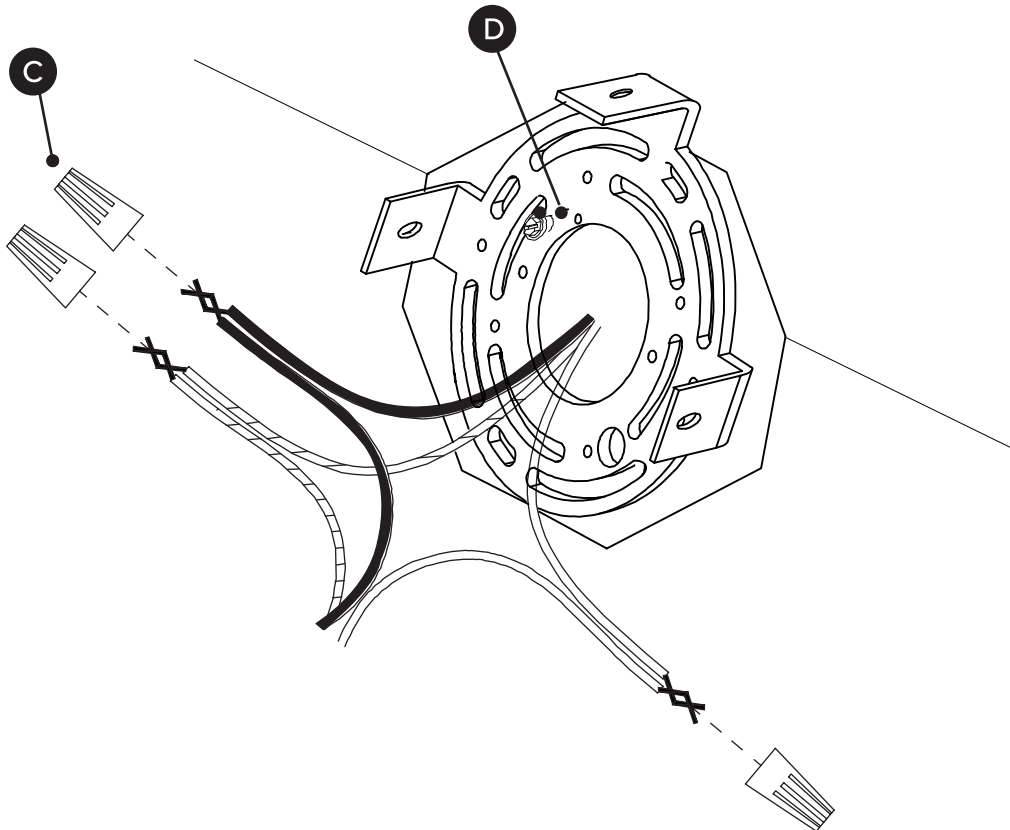
2

---



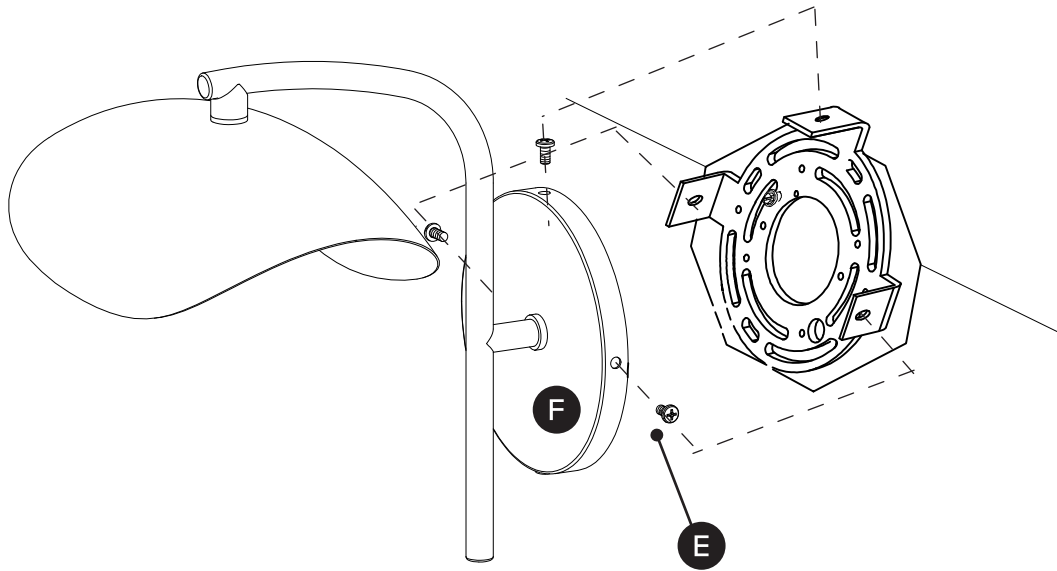
3

- ⓘ attach with wire nuts ( C ).  
BLACK: Live  
WHITE: Neutral  
GREEN OR BARE COPPER: Ground wire



- ⓘ If junction box does not have a green ground wire, attach ground wire from lamp to short green screw (D) on wall bracket.

4



5

