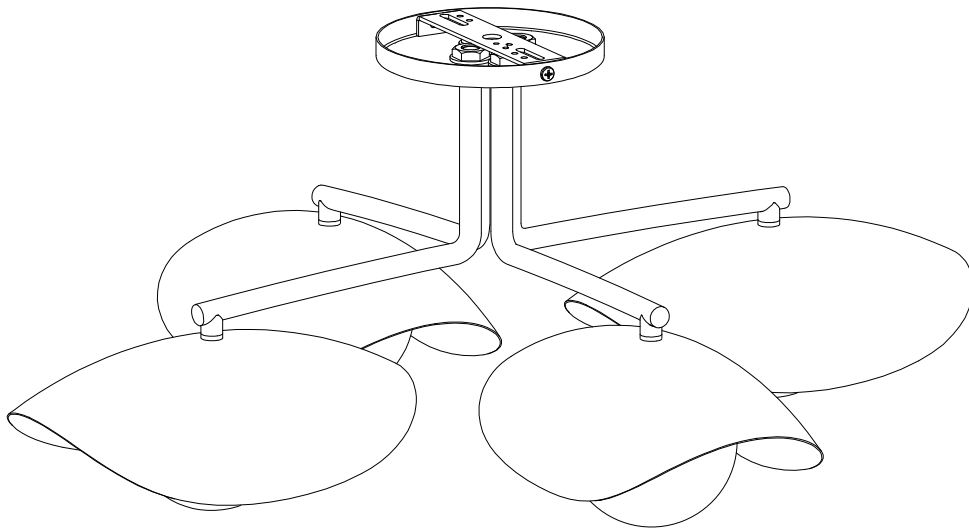


# ARTICLE.

VERSION 1.0

## Assembly Instructions



# COY

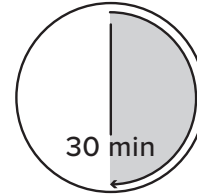
Flushmount Lamp

## ASSEMBLY INSTRUCTIONS

Read these instructions carefully and keep for future reference. Refer to parts inventory for guidance, and ensure you have all pieces before starting.

When assembling, place all parts on a soft, clean, and flat surface such as a carpet to prevent scratches.

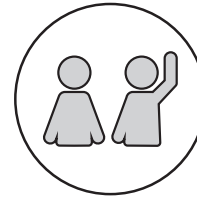
If you're having difficulty, our friendly Customer Care team is always here to help. Call us at **1.888.746.3455** during business hours, email [service@article.com](mailto:service@article.com) or chat live at [article.com](http://article.com).



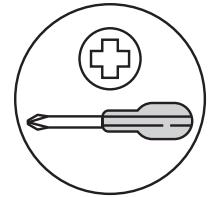
TIME



DIFFICULTY


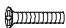







# OF PEOPLE



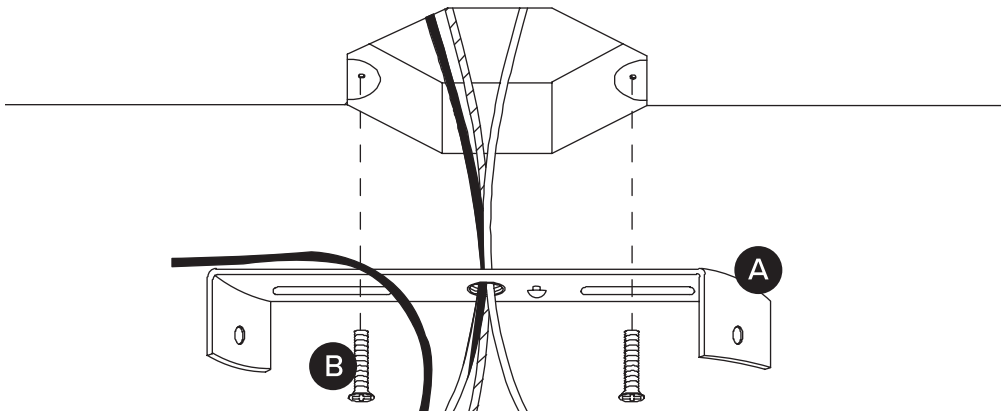
REQUIRED TOOL

**!** Consultation with a professional electrician is recommended for the installation of this pendant lamp.

PARTS INVENTORY		
ID	DESCRIPTION	QTY
A	MOUNTING BRACKET 	1
B	MOUNTING SCREW 	2
C	WIRE NUT 	3
D	SHORT GREEN SCREW 	1
E	SIDE SCREW 	2
F	CANOPY	1
G	BULB (G9 4W LED) 	4
H	GLASS SHADE 	4

1

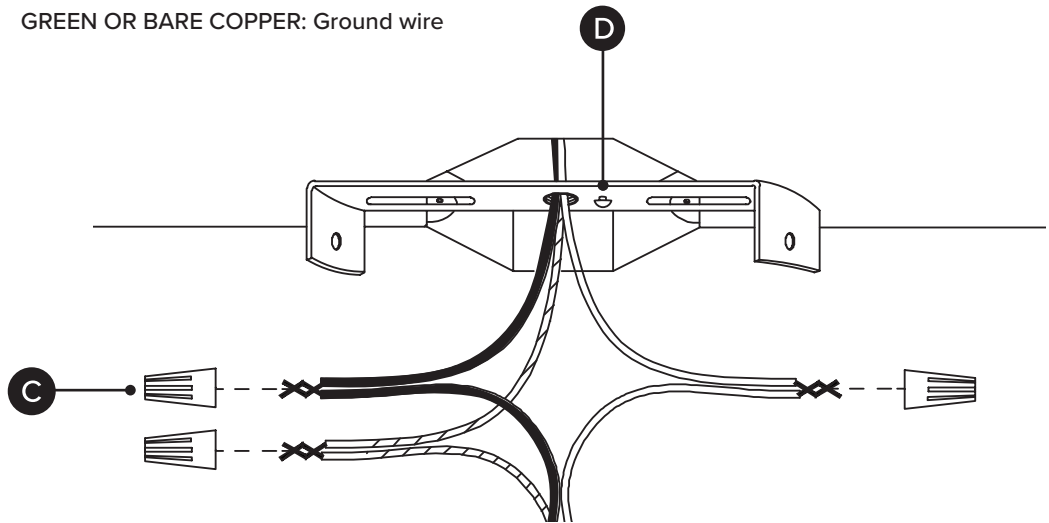
**CAUTION**  
Turn off power at main circuit panel before starting installation.



⚠ Thread wires through mounting bracket (A) before attaching to junction box.

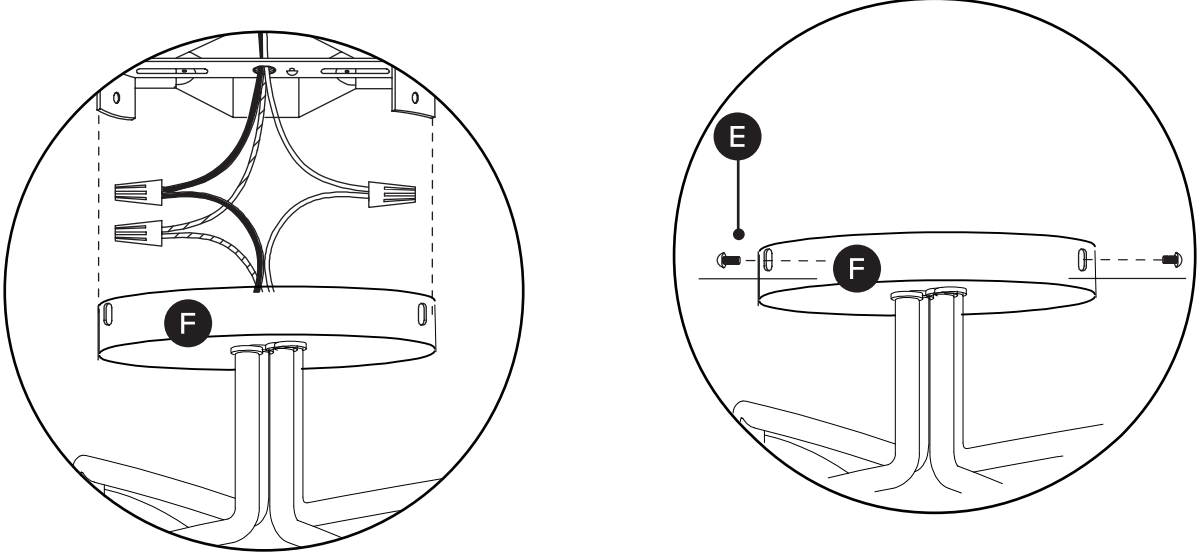
2

⚠ Match up wires by color and attach with wire nuts ( C ).  
BLACK: Live  
WHITE: Neutral  
GREEN OR BARE COPPER: Ground wire



⚠ If junction box does not have a green ground wire, attach ground wire from lamp to short green screw ( D ) on mounting bracket.

3



4

