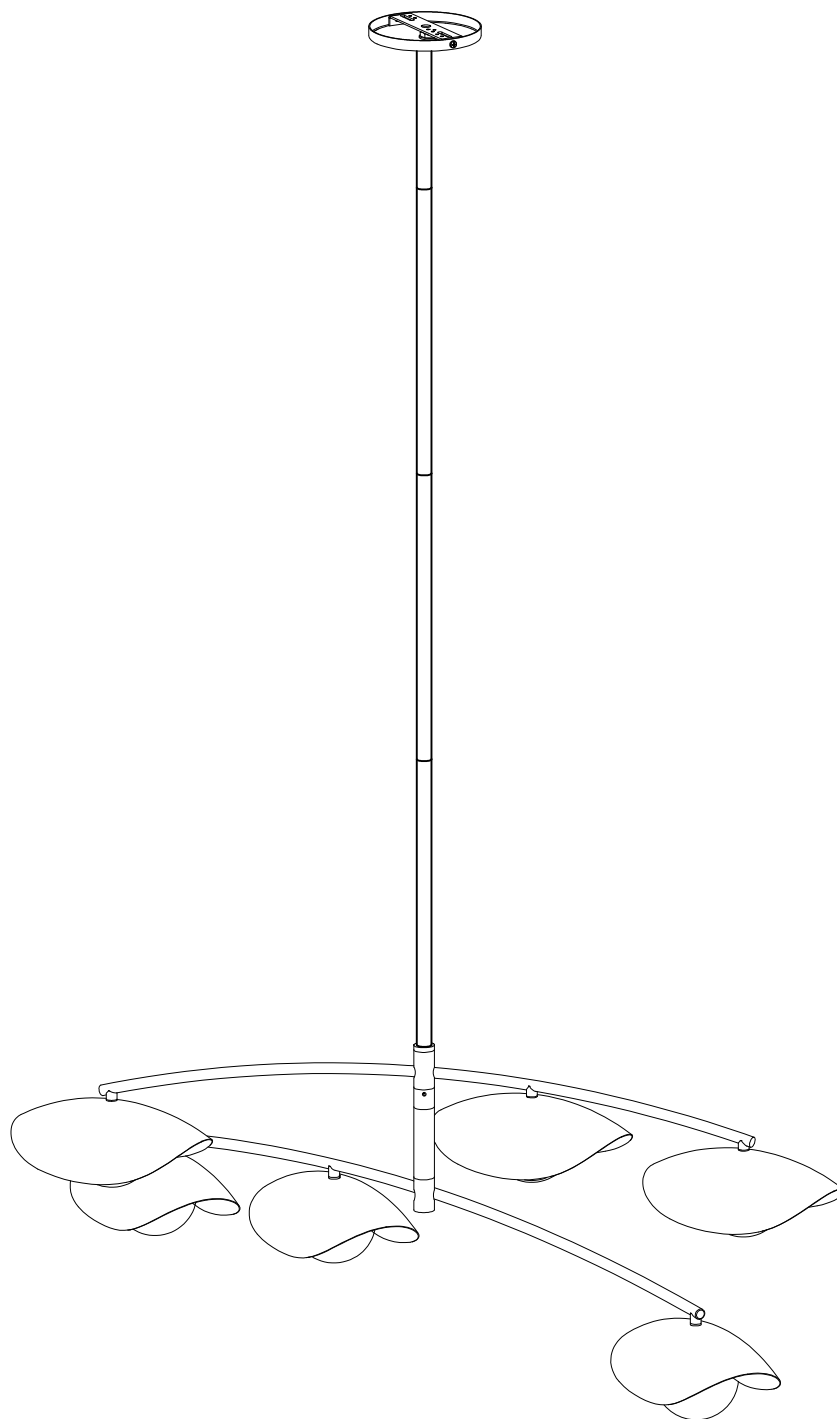


ARTICLE.

VERSION 1.0

Assembly Instructions



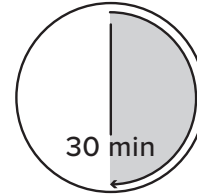
COY
Chandelier Lamp

ASSEMBLY INSTRUCTIONS

Read these instructions carefully and keep for future reference. Refer to parts inventory for guidance, and ensure you have all pieces before starting.

When assembling, place all parts on a soft, clean, and flat surface such as a carpet to prevent scratches.

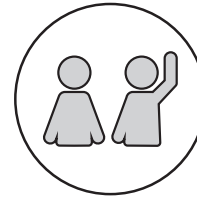
If you're having difficulty, our friendly Customer Care team is always here to help. Call us at **1.888.746.3455** during business hours, email service@article.com or chat live at article.com.



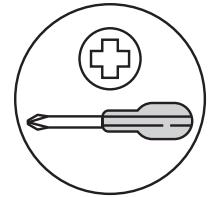
TIME



DIFFICULTY











OF PEOPLE



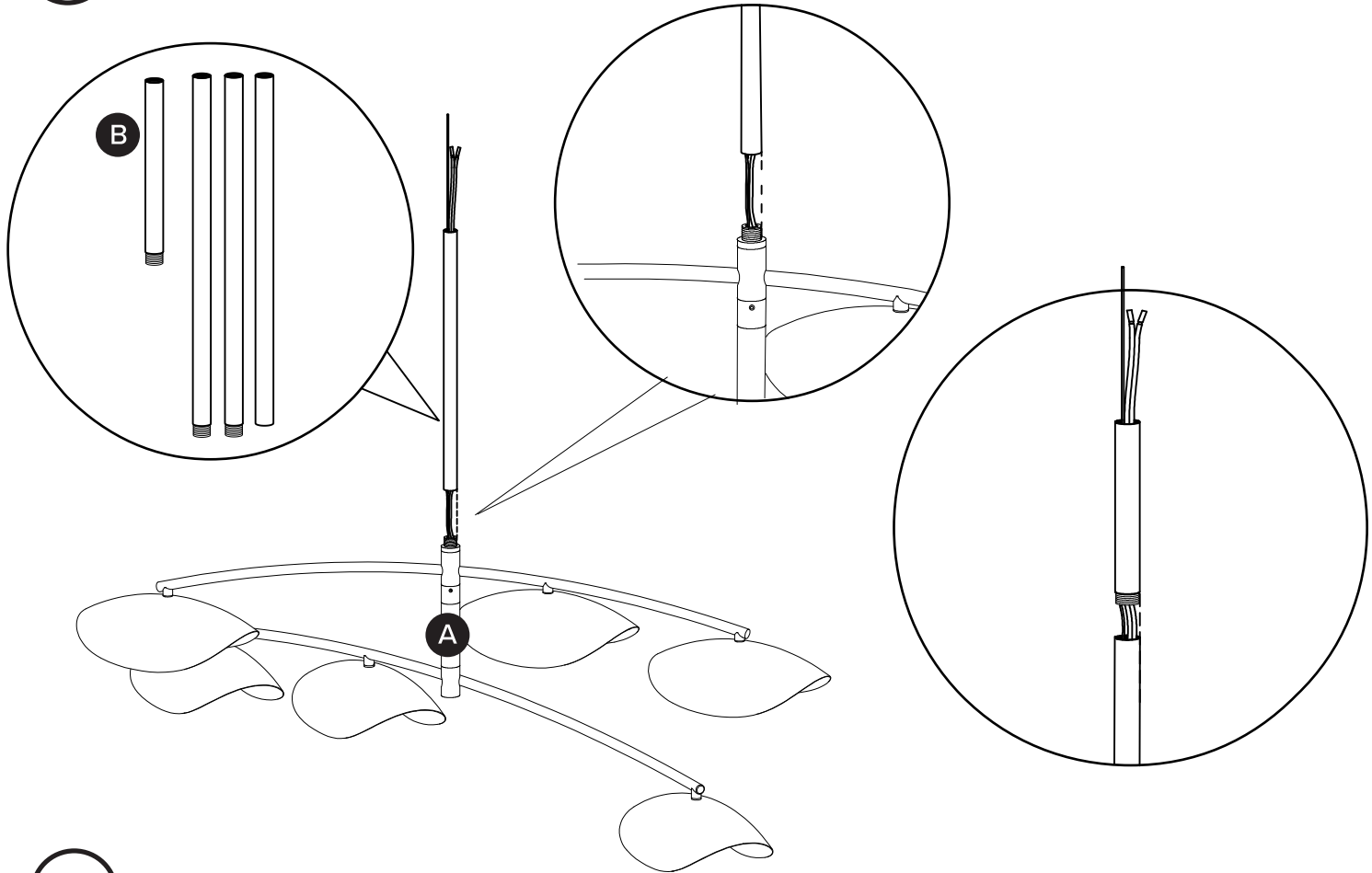
REQUIRED TOOL

! Consultation with a professional electrician is recommended for the installation of this pendant lamp.

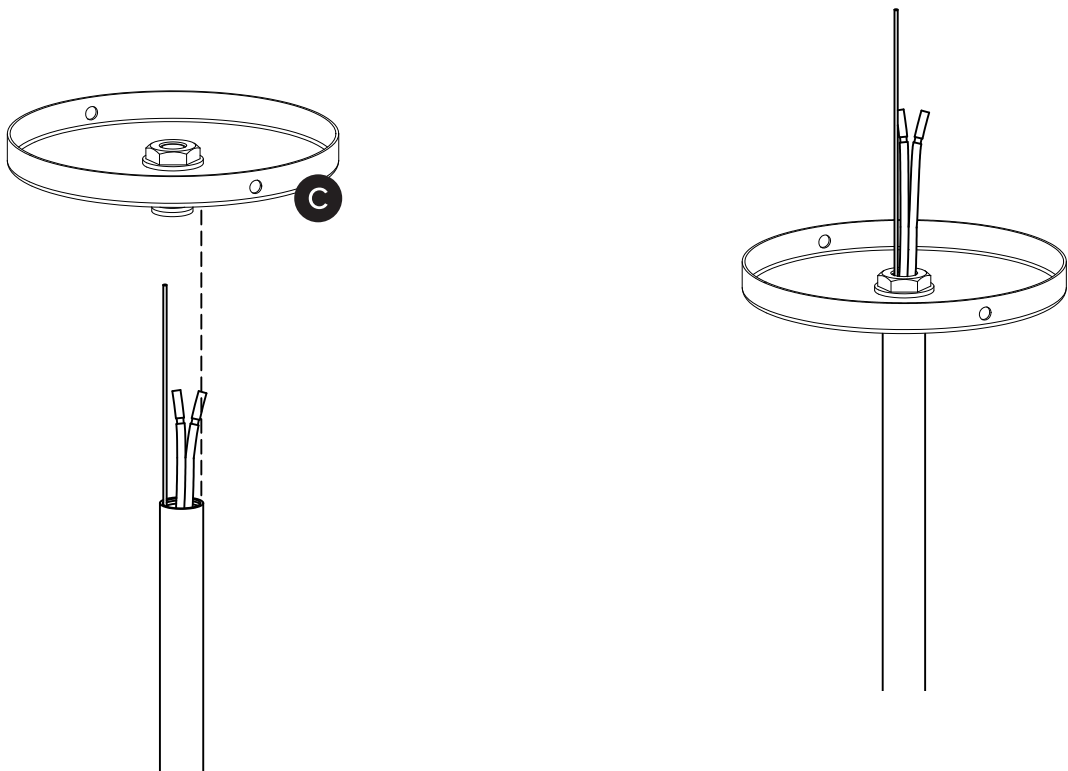
PARTS INVENTORY		
ID	DESCRIPTION	QTY
A	Body	1
B	METAL TUBE	4
C	CANOPY	1
D	WIRE LOCKER 	1
E	MOUNTING BRACKET 	1
F	MOUNTING SCREW 	2
G	SHORT GREEN SCREW 	1
H	WIRE NUT 	3
I	SIDE SCREW 	2
J	BULB (G9 4W LED) 	6

PARTS INVENTORY CONT.		
ID	DESCRIPTION	QTY
K	GLASS SHADE 	6

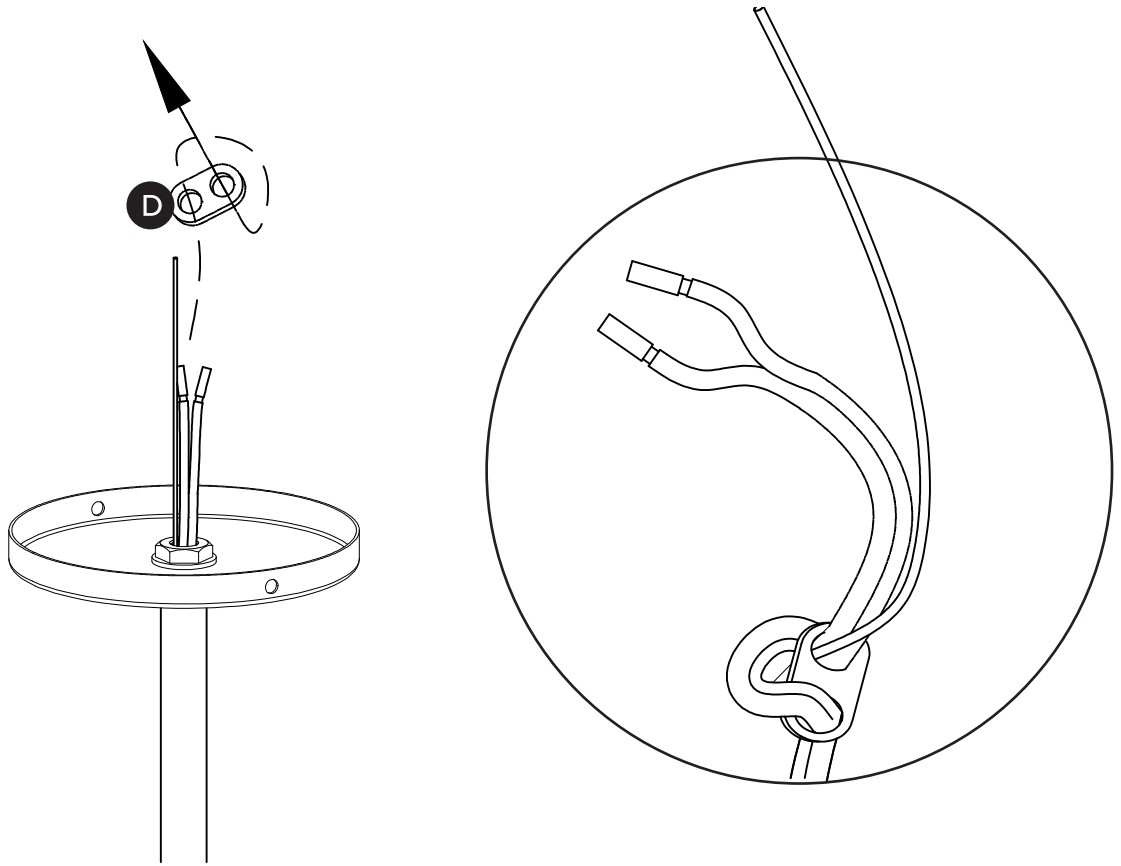
1



2

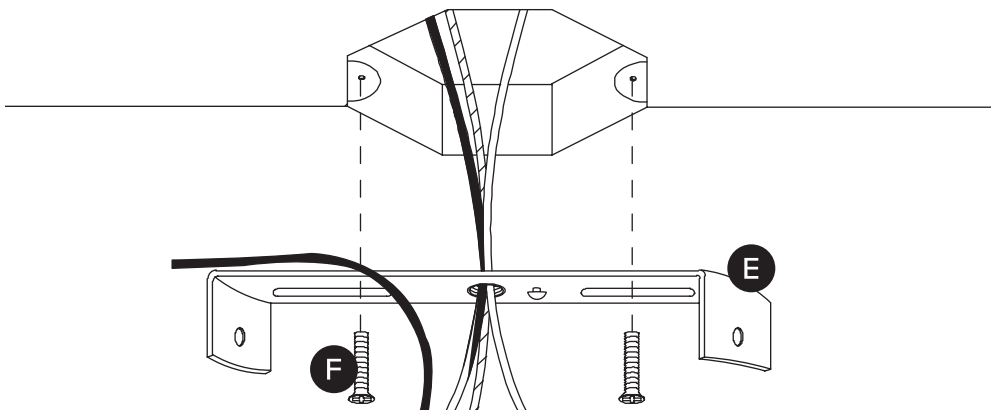


3



4

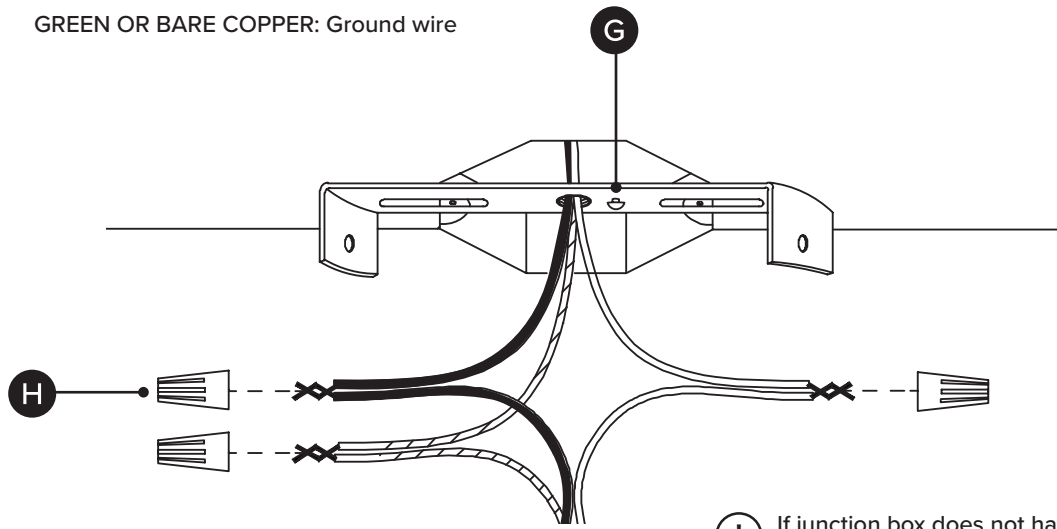
!
CAUTION
Turn off power at main circuit panel
before starting installation.



! Thread wires through mounting bracket (E) before attaching to junction box.

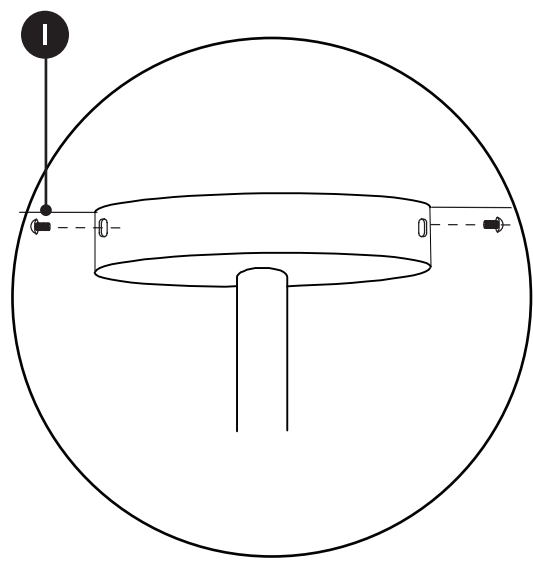
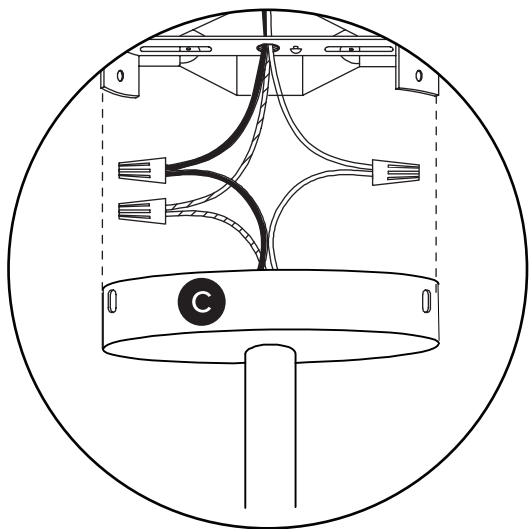
5

- ! Match up wires by color and attach with wire nuts (H).
BLACK: Live
WHITE: Neutral
GREEN OR BARE COPPER: Ground wire



- ! If junction box does not have a green ground wire, attach ground wire from lamp to short green screw (G) on mounting bracket.

6



7

