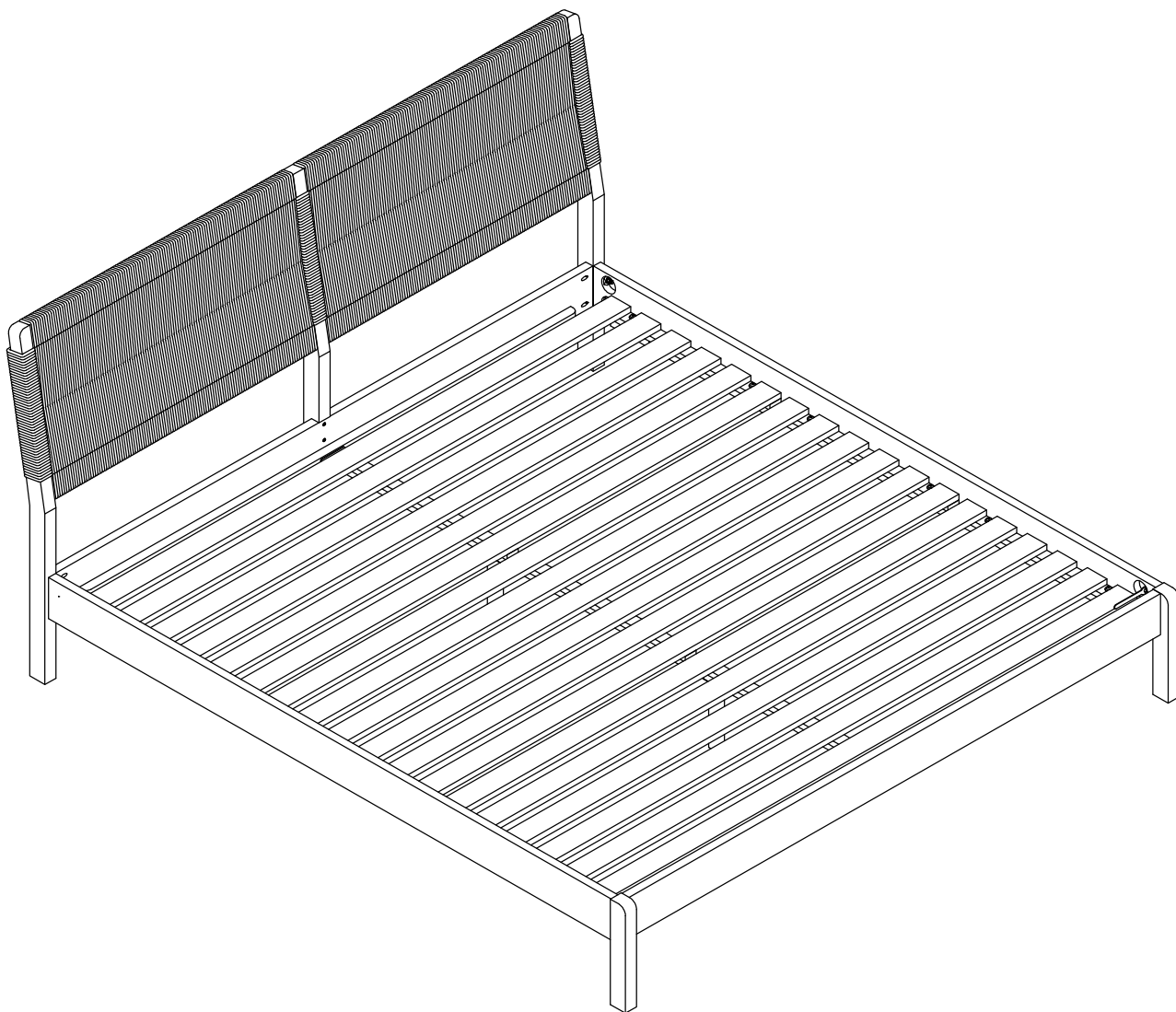


ARTICLE.

VERSION 1.0

Assembly Instructions



MONTEREY

Bed

ASSEMBLY INSTRUCTIONS

Read these instructions carefully and keep for future reference. Refer to parts inventory for guidance, and ensure you have all pieces before starting.

When assembling, place all parts on a soft, clean, and flat surface such as a carpet to prevent scratches.

If you're having difficulty, our friendly Customer Care team is always here to help. Call us at **1.888.746.3455** during business hours, email service@article.com or chat live at article.com.



TIME



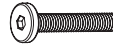










OF PEOPLE



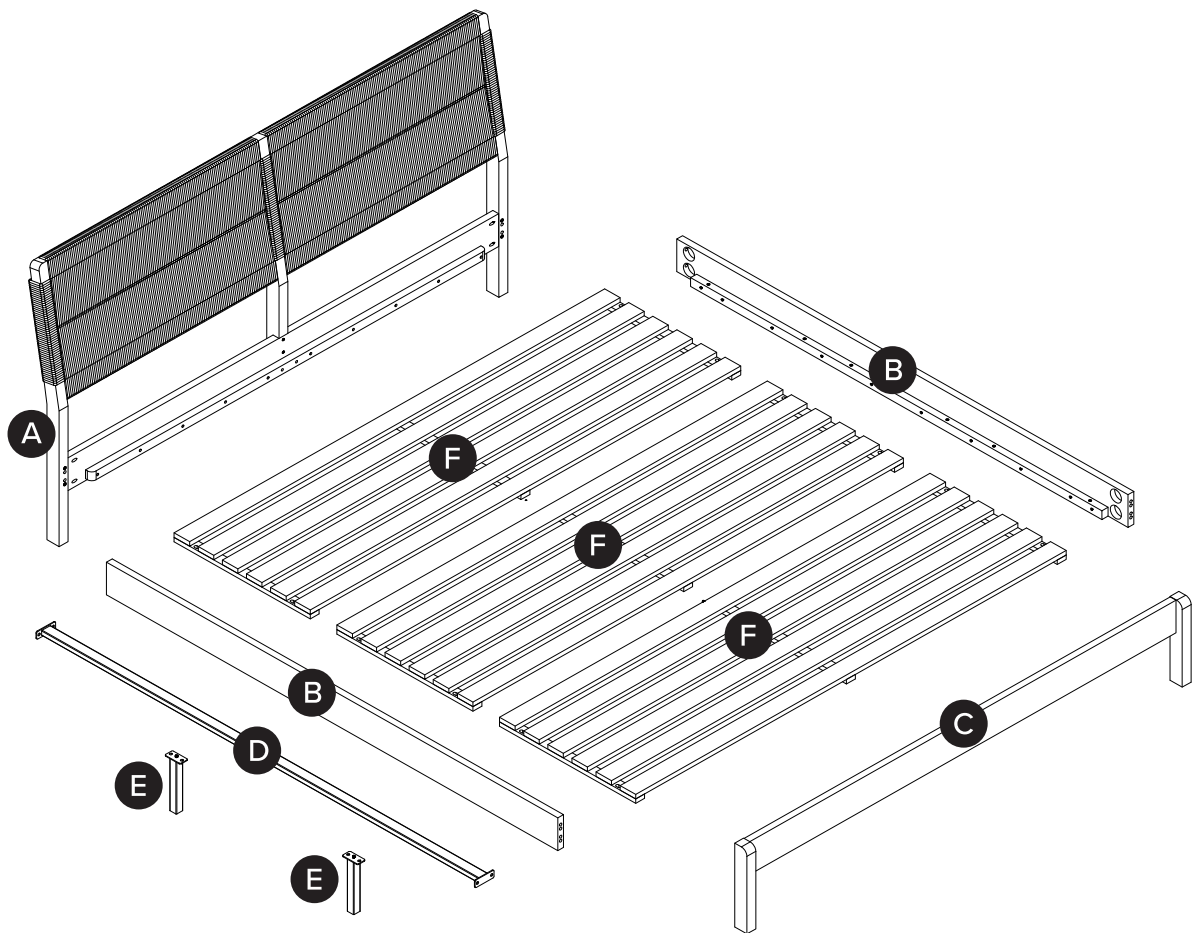
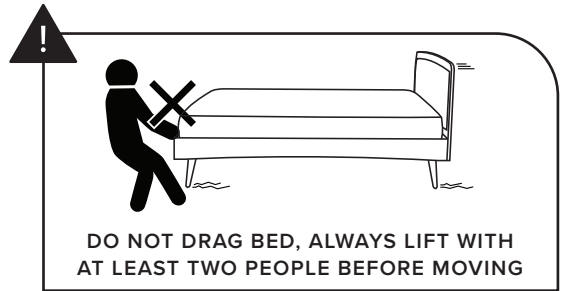
DIFFICULTY

PARTS INVENTORY CONT.		
ID	DESCRIPTION	QTY
A	HEADBOARD	1
B	SIDE RAIL	2
C	FOOTBOARD	1
D	CENTER BEAM	1
E	CENTER LEG	2
F	SLATS	3

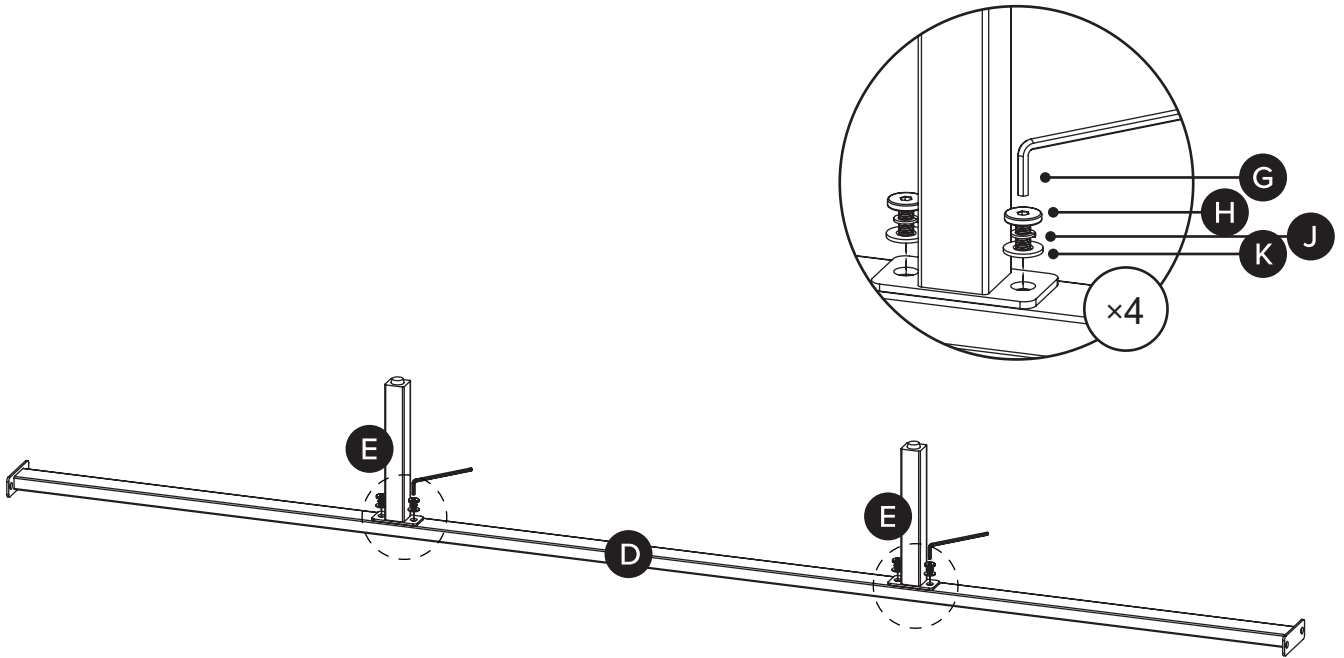
PARTS INVENTORY		
ID	DESCRIPTION	QTY
G	ALLEN KEY 	1
H	M6 × 15MM BOLT 	8
I	M6 × 35MM BOLT 	12
J	M6 LOCK WASHER 	20
K	M6 WASHER 	20
L	WRENCH 	1
M	M8 BOLT 	8
N	HEX NUT 	8
O	M8 LOCK WASHER 	8
P	M8 WASHER 	8
Q	HALF MOON WASHER 	8



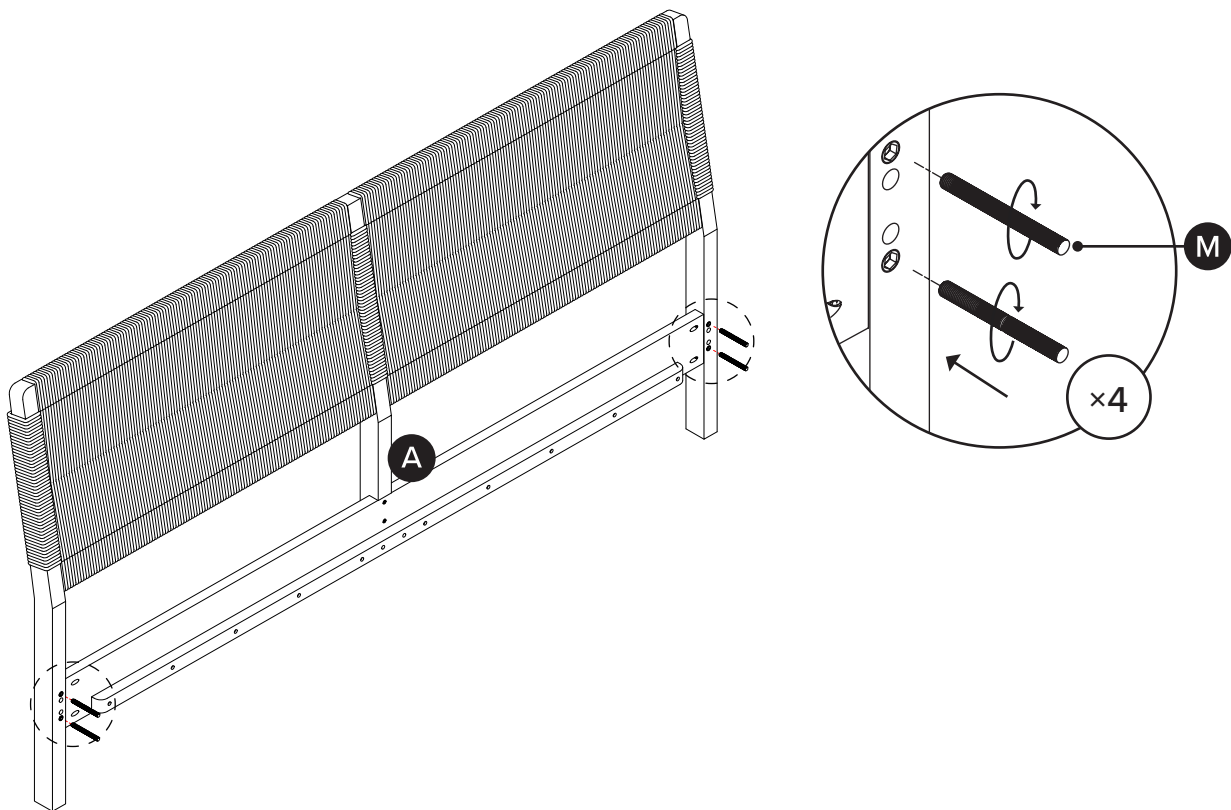
! Structural integrity is warranted only if all fasteners are properly installed & tightened, and the bed is moved only per instructions.



1

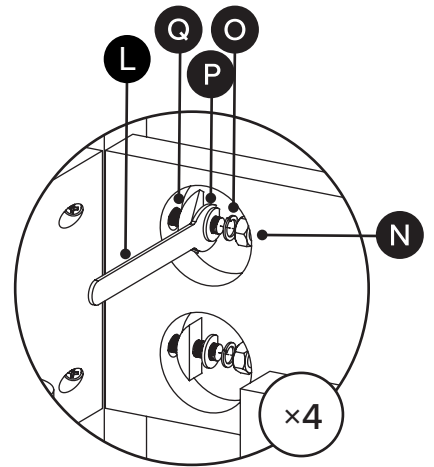
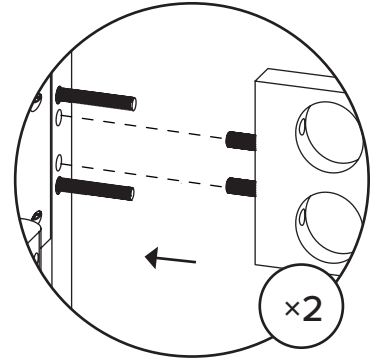
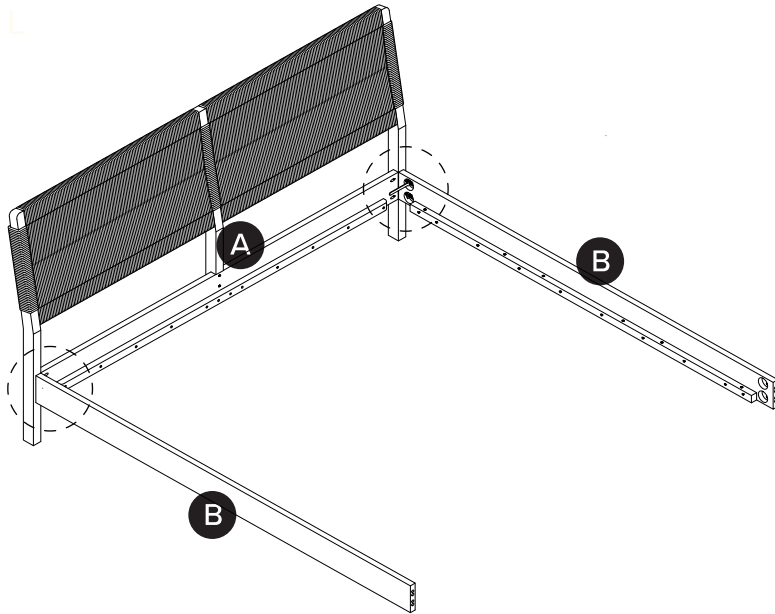


2

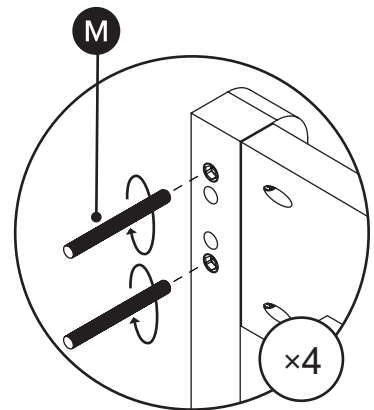
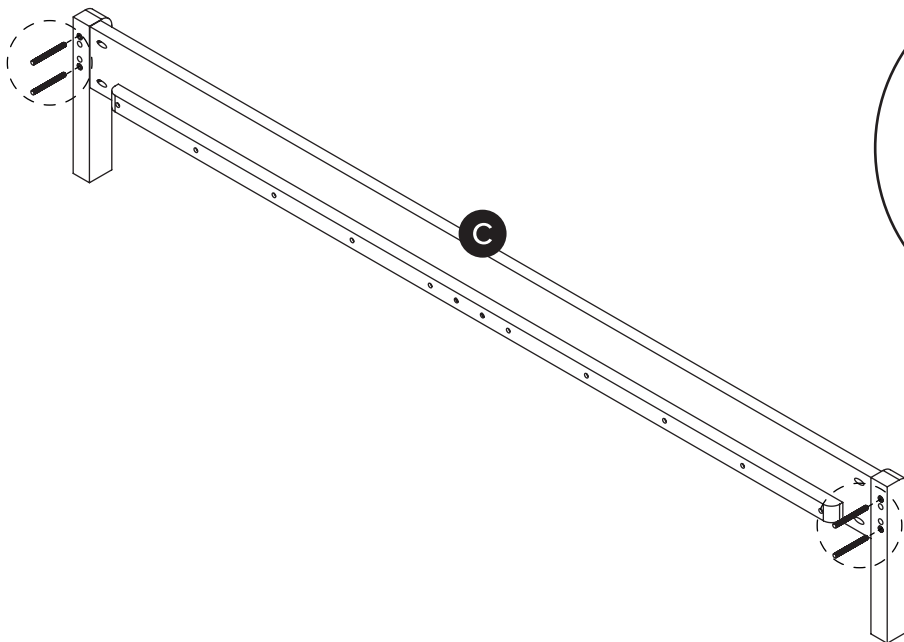


3

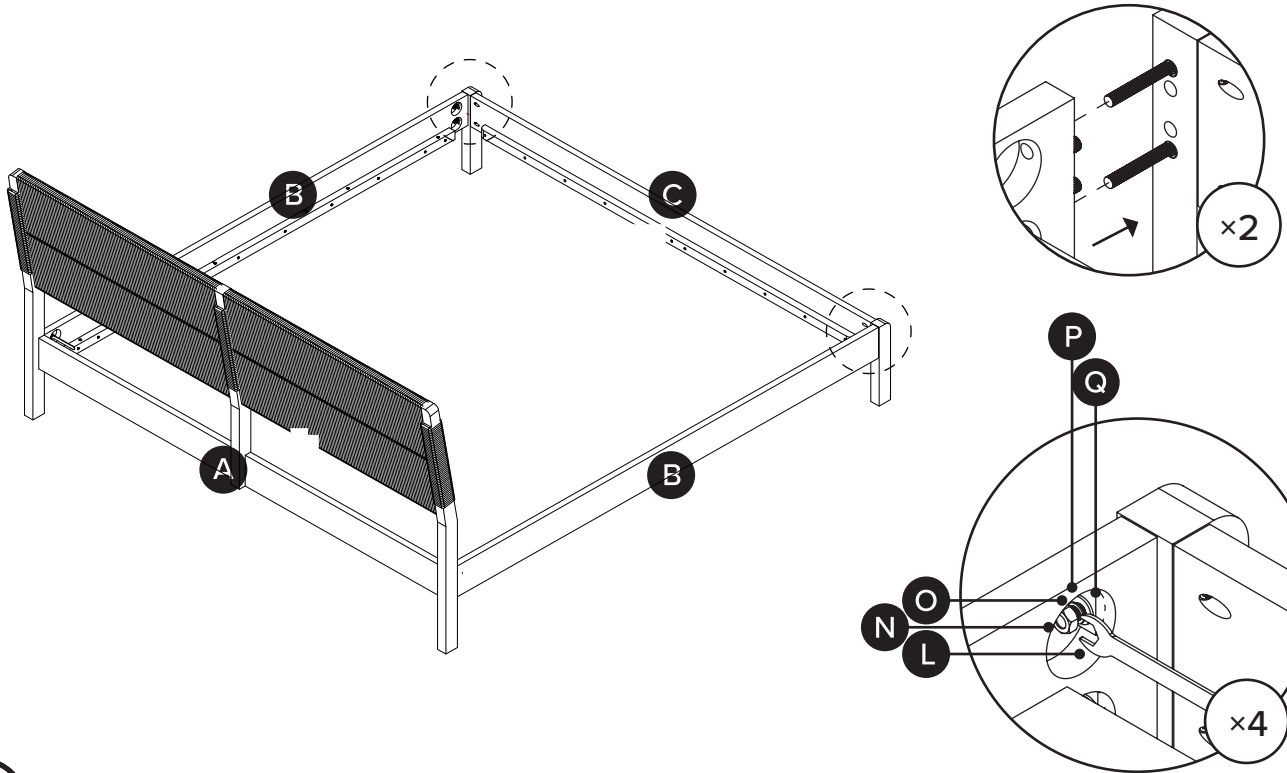
L



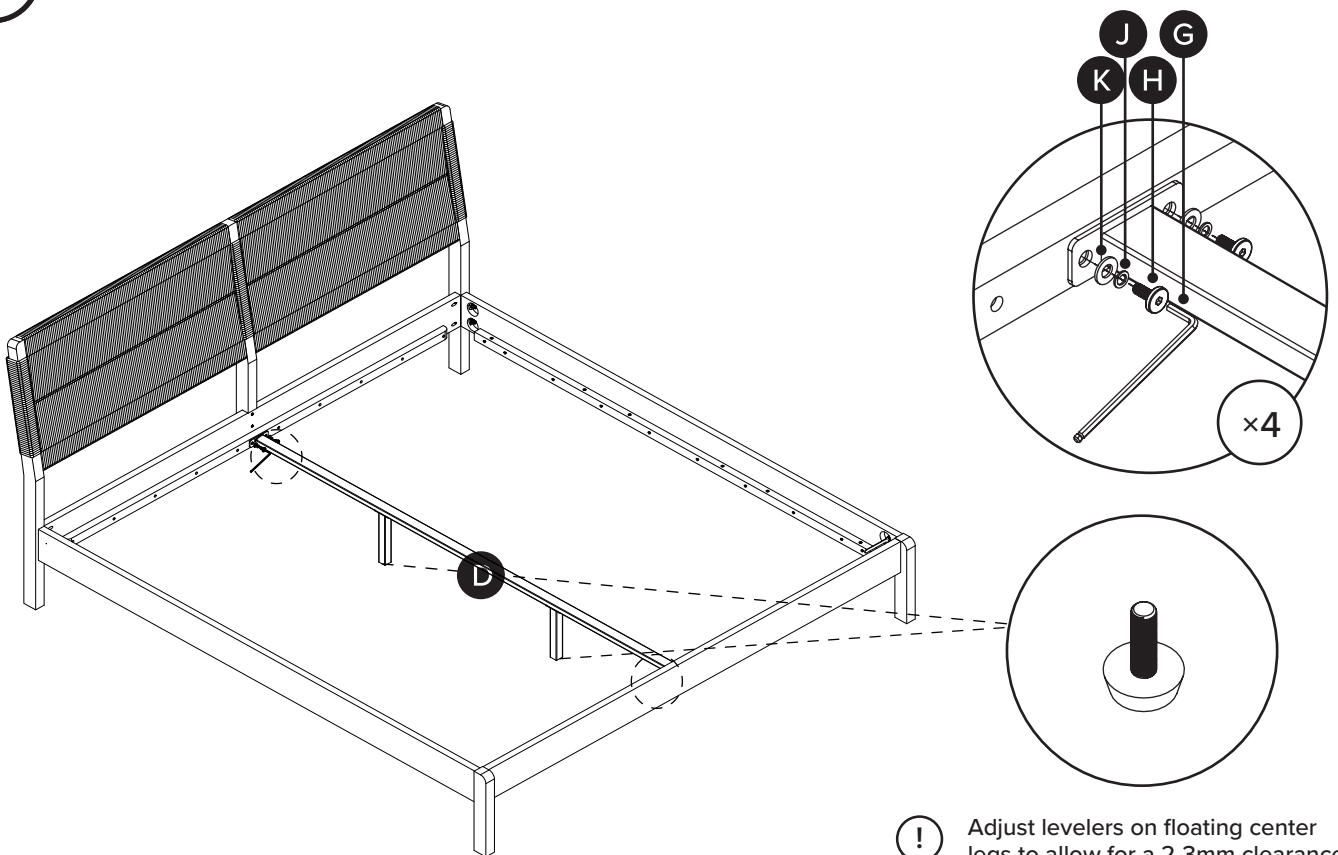
4



5



6



! Adjust levelers on floating center legs to allow for a 2-3mm clearance.

7

