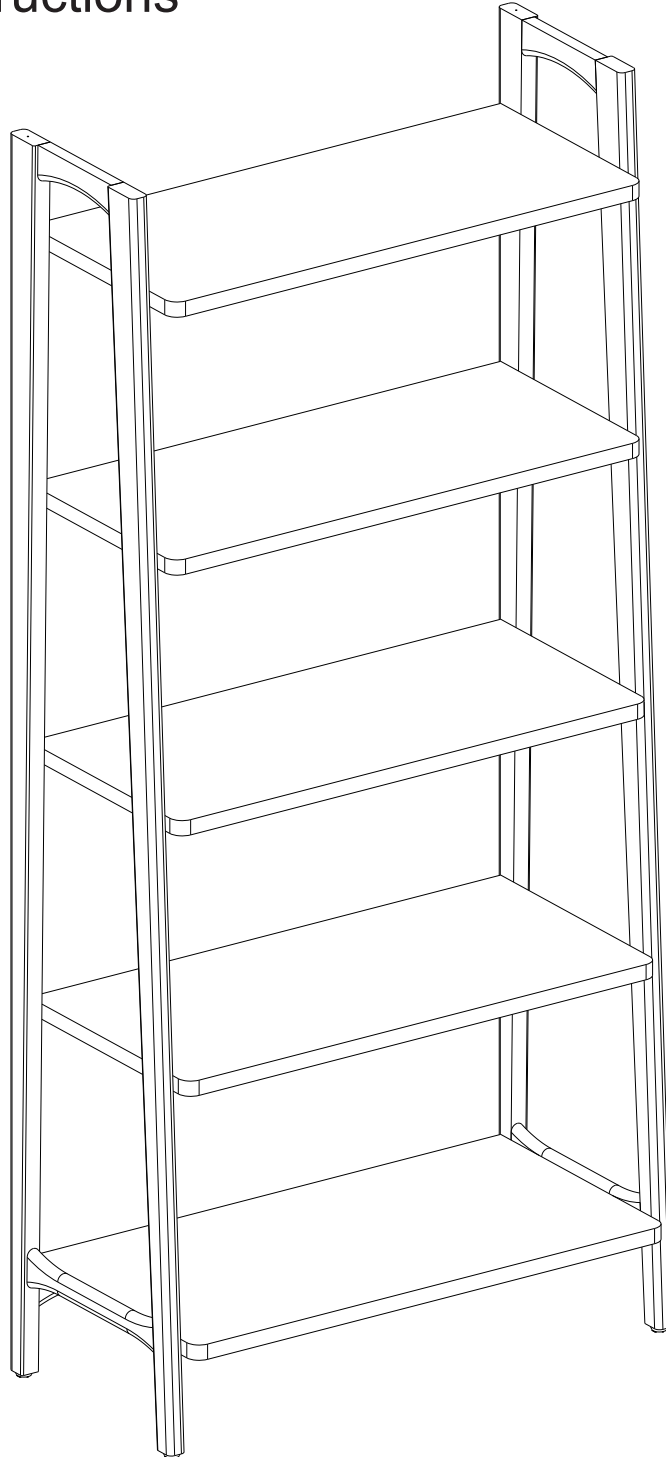


# ARTICLE.

VERSION 1.0

## Assembly Instructions



# KROSSA

70" BOOKCASE

## ASSEMBLY INSTRUCTIONS

Read these instructions carefully and keep for future reference. Refer to parts inventory for guidance, and ensure you have all pieces before starting.

When assembling, place all parts on a soft, clean, and flat surface such as a carpet to prevent scratches.

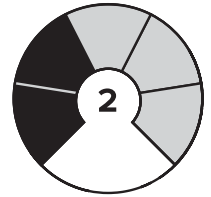
If you're having difficulty, our friendly Customer Care team is always here to help. Call us at **1.888.746.3455** during business hours, email [service@article.com](mailto:service@article.com) or chat live at [article.com](https://www.article.com).



TIME



# OF PEOPLE

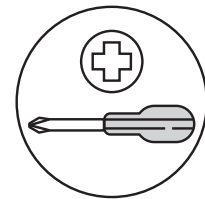


DIFFICULTY



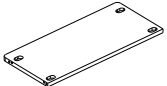
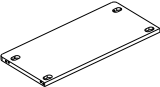
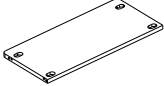
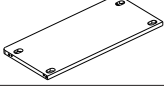
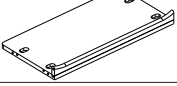

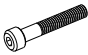



ANTI-TIP

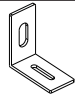
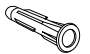



Installation Required



REQUIRED TOOL

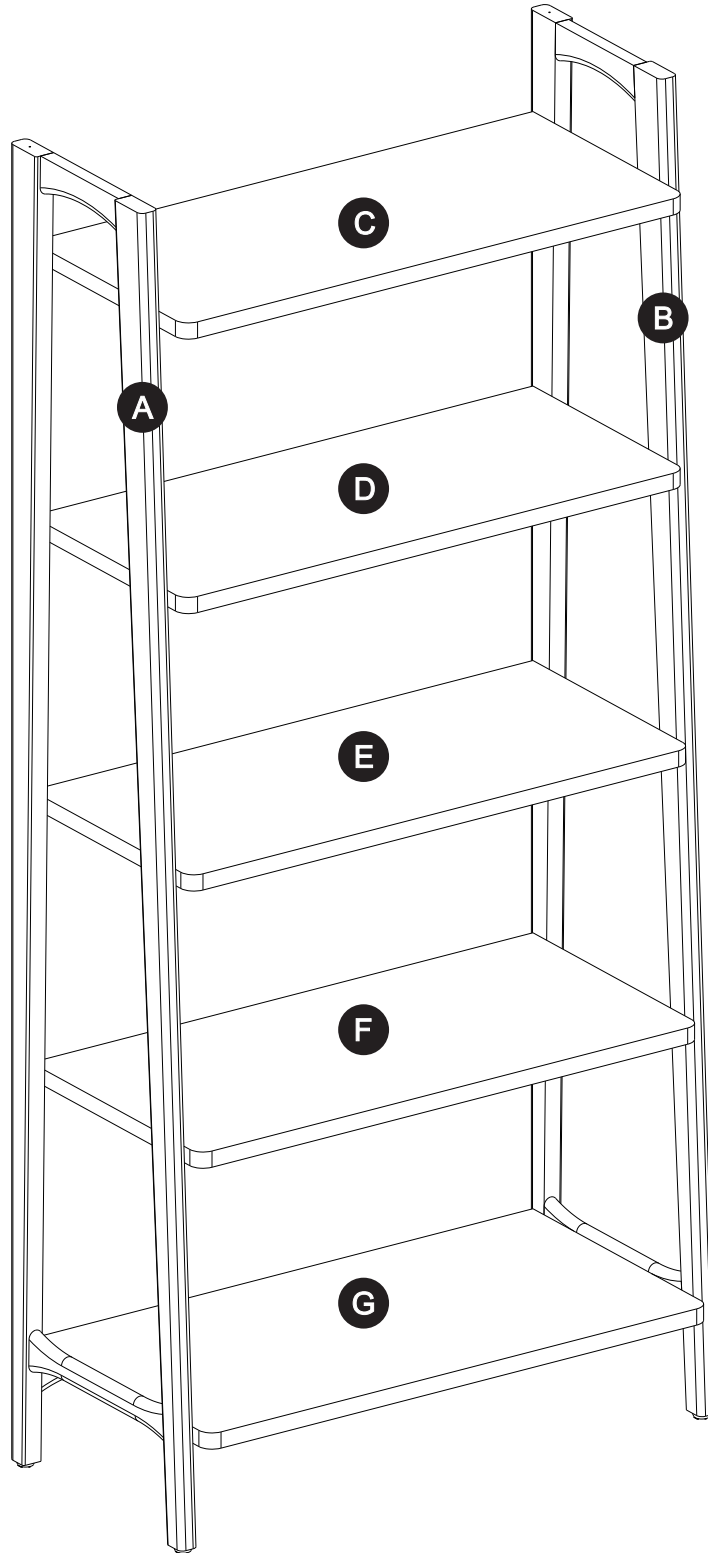
PARTS INVENTORY		
ID	DESCRIPTION	QTY
<b>A</b>	LEFT SIDE FRAME 	1
<b>B</b>	RIGHT SIDE FRAME 	1
<b>C</b>	TOP SHELF 	1
<b>D</b>	SECOND SHELF 	1
<b>E</b>	THIRD SHELF 	1
<b>F</b>	FOURTH SHELF 	1
<b>G</b>	LOWEST SHELF 	1
<b>H</b>	WASHER 	20
<b>I</b>	M6 x 35MM SOCKET BOLT 	20
<b>J</b>	ALLEN KEY 	2

**!** Hardware (M/N) to attach brackets to wall is designed for drywall. To attach this unit to another type of wall, consult with your local hardware store.

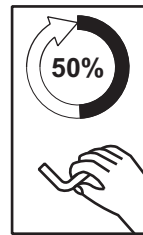
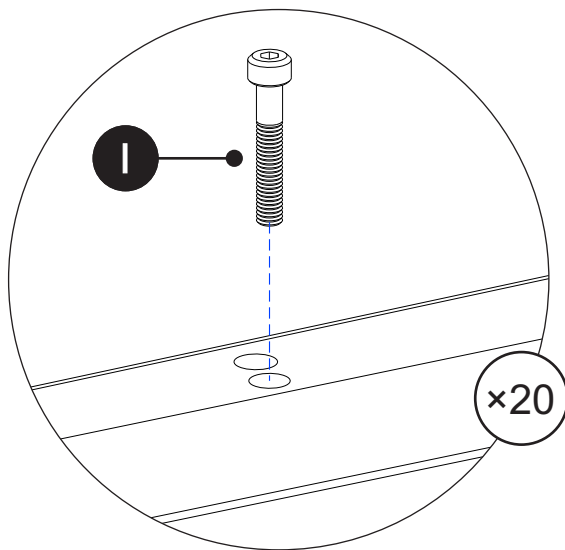
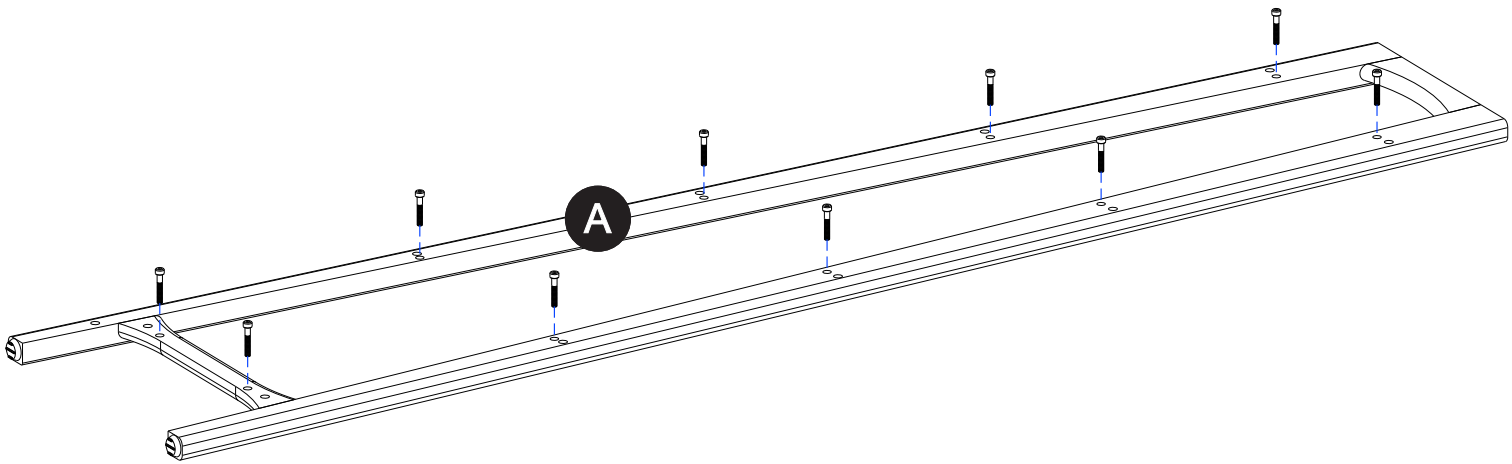
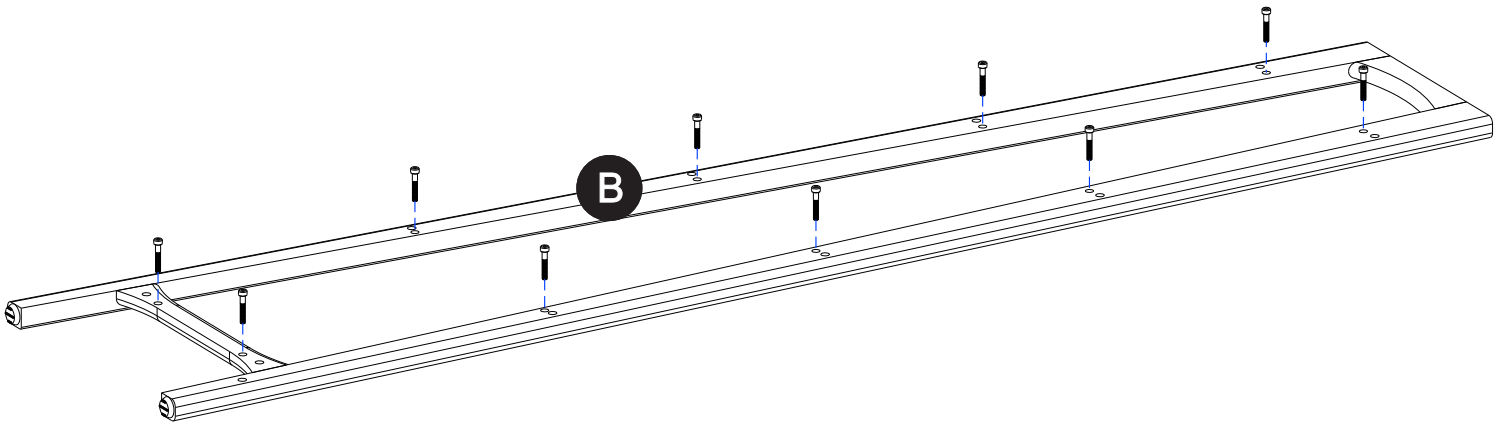
ANTI-TIP KIT INVENTORY		
ID	DESCRIPTION	QTY
<b>K</b>	BRACKET 	2
<b>L</b>	M8 x 50MM PLUG 	2
<b>M</b>	M6 x 70MM SCREW 	2
<b>N</b>	WASHER 	2
<b>O</b>	M4 x 20MM SCREW 	2



ASSEMBLED UNIT

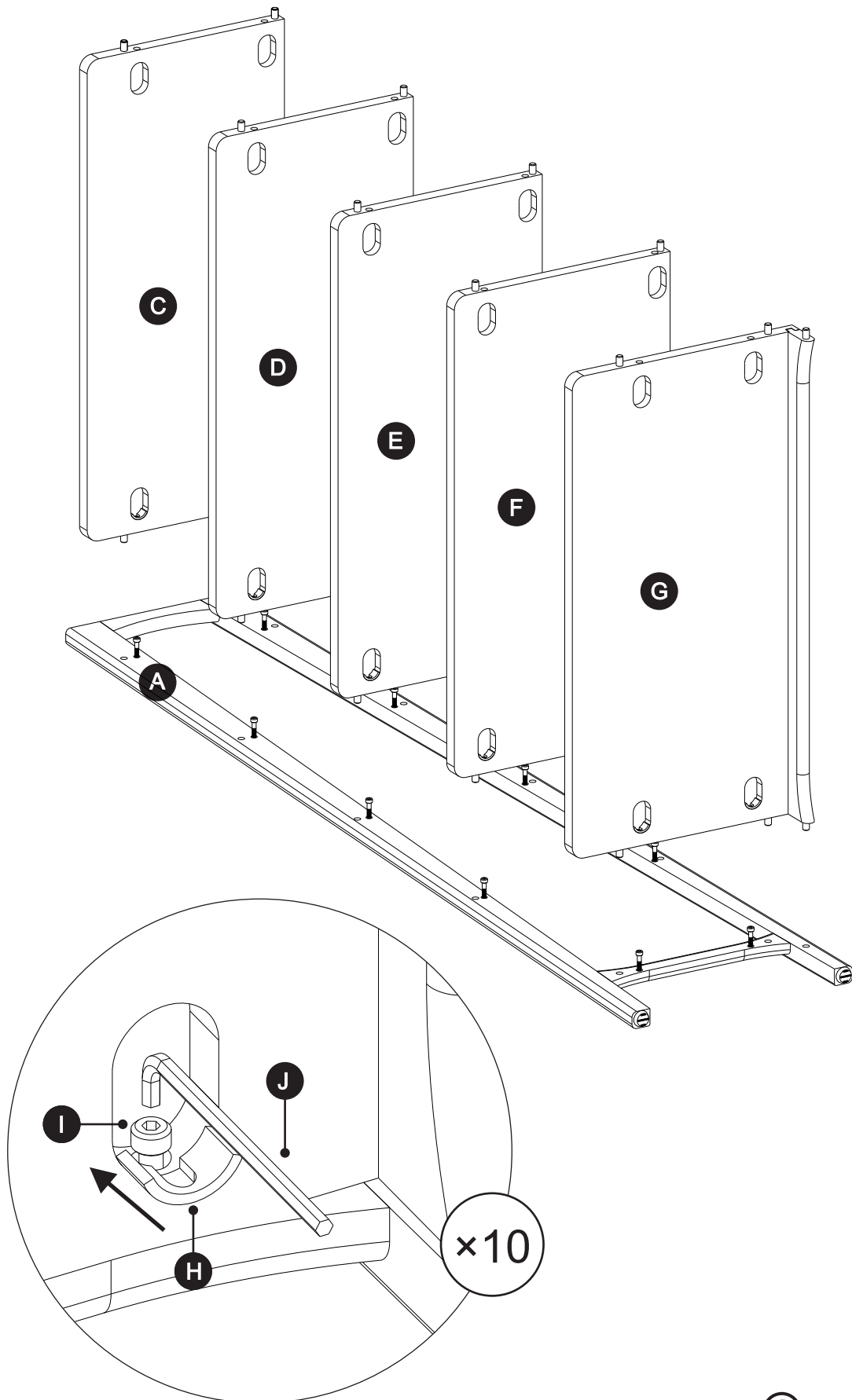


1



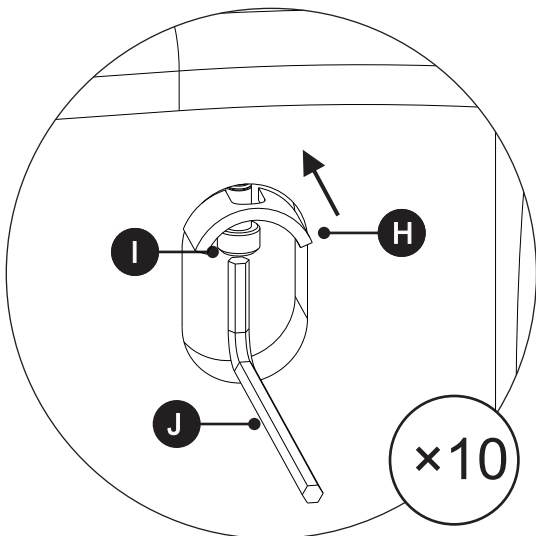
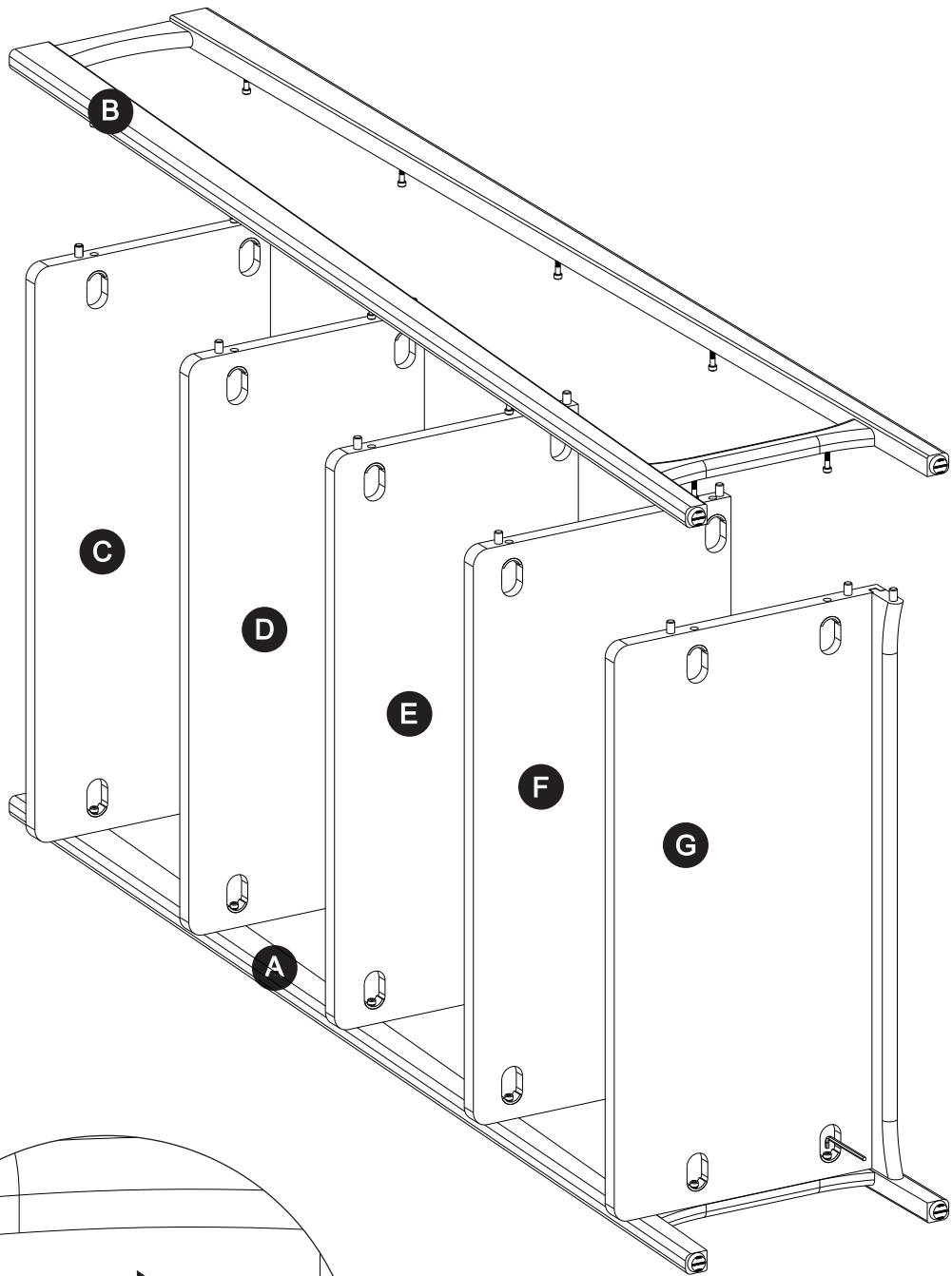
! Do not fully tighten bolts until all bolts are placed properly

2



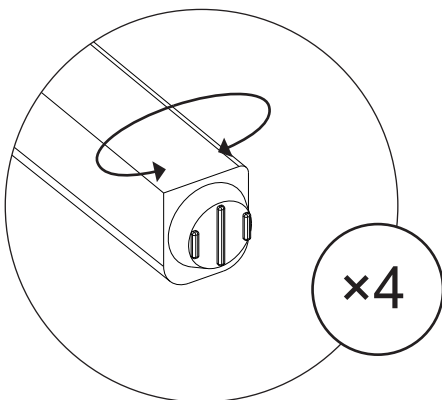
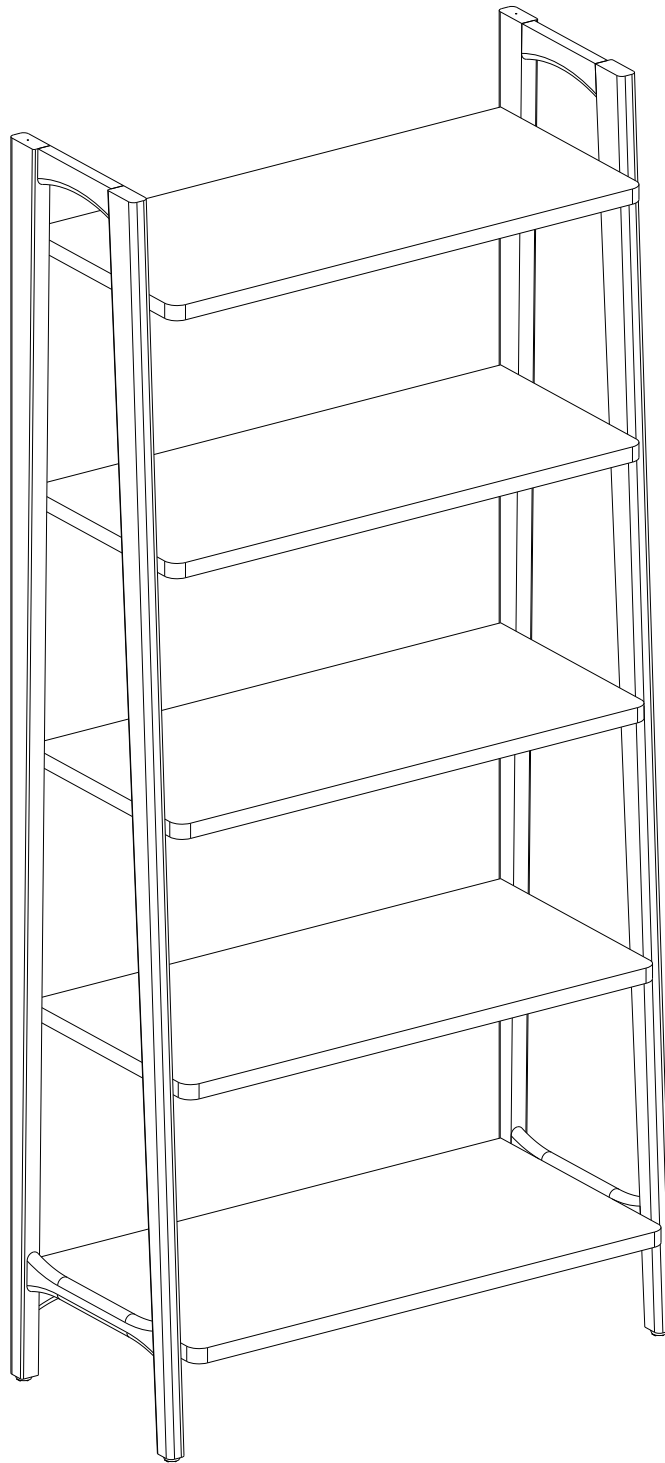
! Tighten all bolts 100%

3



⚠ Tighten all bolts 100%

4



! Adjust levelers on legs as needed.

**IMPORTANT !**

It is important that all bolts are re-tightened 2 weeks after assembly and once every 2 months in order to assure stability through-out the lifespan of this product.

ARTICLE.



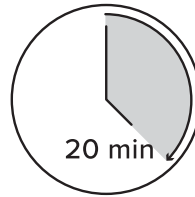
# ANTI-TIP RESTRAINT INSTALLATION

## ! WARNING!

Serious or fatal crushing injuries can occur from furniture tip-over. To help prevent tip-over:

- Install tip-over restraint provided.
- Do not set heavy objects on top of this product, unless the product is specifically designed to accommodate them.
- Never allow children to climb or hang on mirrors, shelves, consoles, or cabinets with doors and/or drawers.

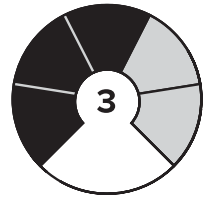
Use of tip-over restraints may only reduce but not eliminate, the risk of tip-over.



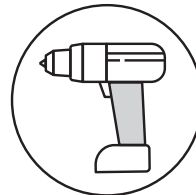
TIME



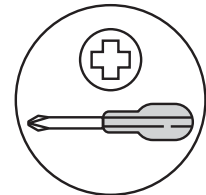
# OF PEOPLE



DIFFICULTY

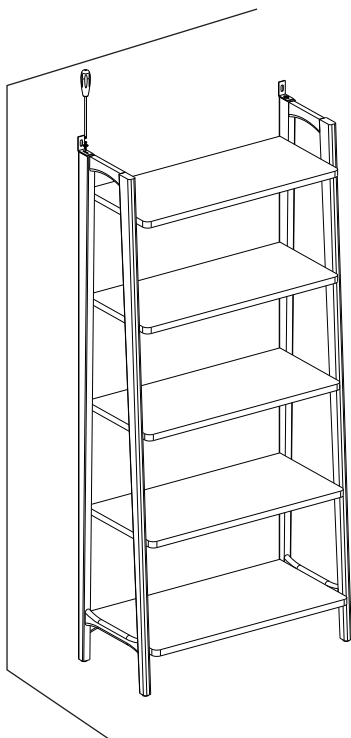


REQUIRED TOOL  
8MM / 5/16" DRILL BIT

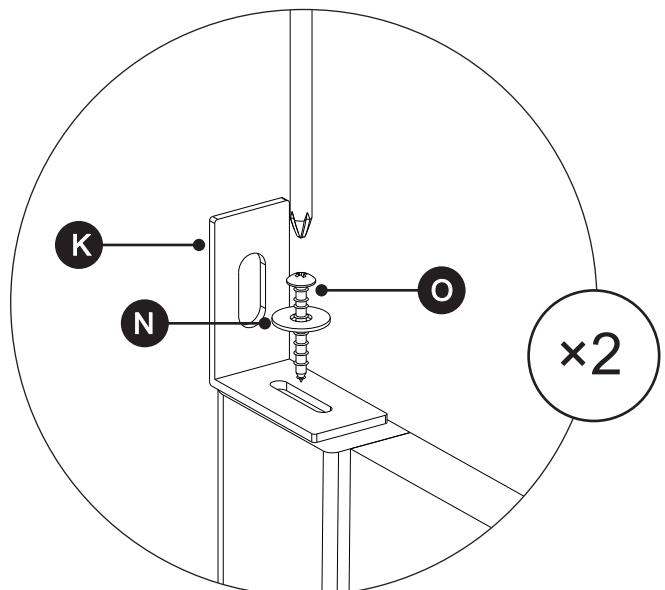


REQUIRED TOOL

# 1

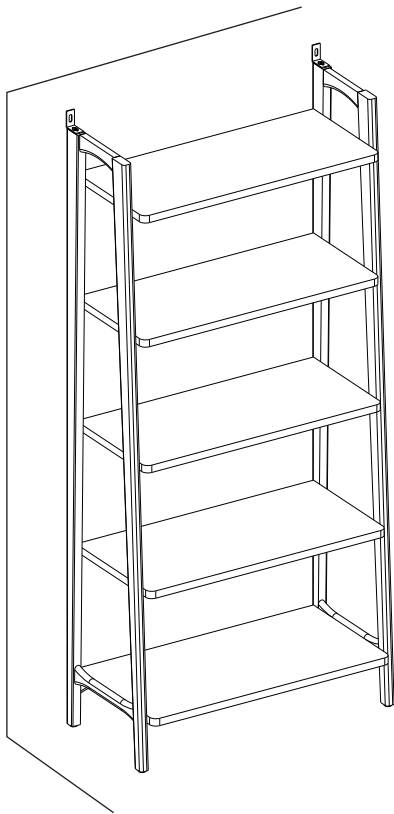


Attach two bracket (K) to the rearmost area on top of the unit

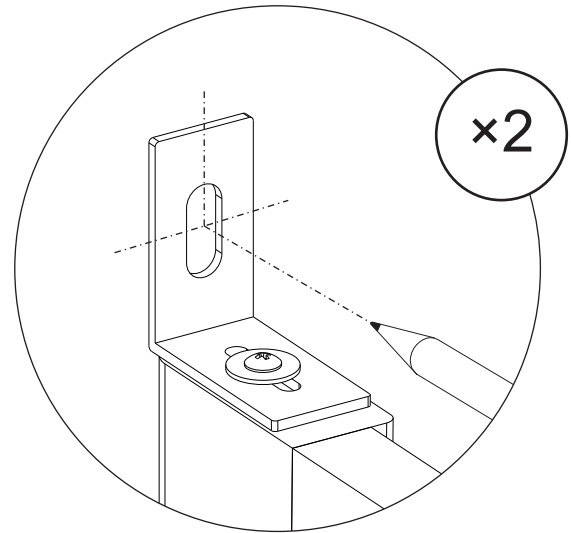




2



Place unit in desired location and mark on wall where holes should be drilled.



3

! Hardware (L/M) to attach brackets to wall is designed for drywall. To attach this unit to another type of wall, consult with your local hardware store.

Drill holes into drywall, insert wall plugs (L) and attach brackets to wall with screws (M)

