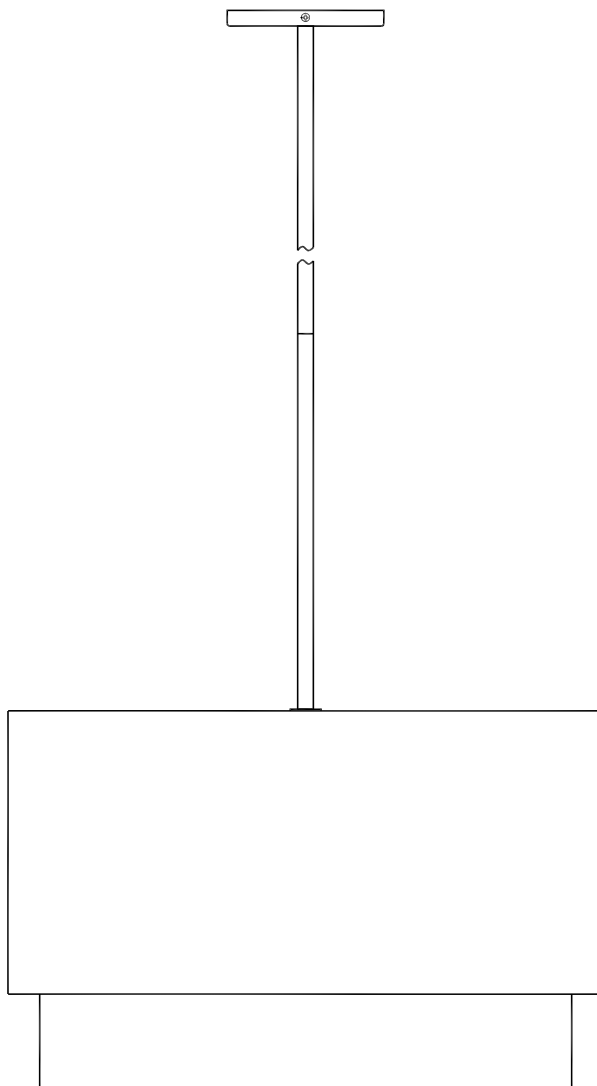


ARTICLE.

VERSION 1

Assembly Instructions



ZEBU ECRU

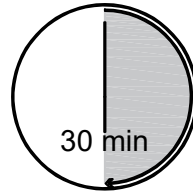
Pendant Lamp

ASSEMBLY INSTRUCTIONS

Read these instructions carefully and keep for future reference. Refer to parts inventory for guidance, and ensure you have all pieces before starting.

When assembling, place all parts on a soft, clean, and flat surface such as a carpet to prevent scratches.

If you're having difficulty, our friendly Customer Care team is always here to help. Call us at **1.888.746.3455** during business hours, email **service@article.com** or chat live at **article.com**.



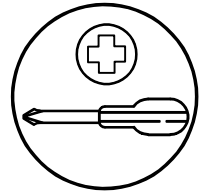
TIME



DIFFICULTY

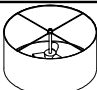




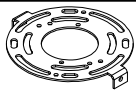
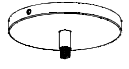
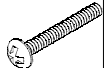





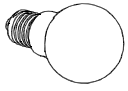
OF PEOPLE



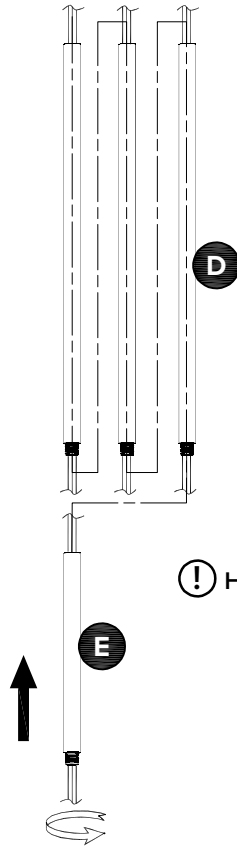
REQUIRED TOOL

! Consultation with a professional electrician is recommended for the installation of this pendant lamp.

PARTS INVENTORY			
ID	DESCRIPTION		QTY
A	LAMP TOP SHADE WITH SOCKETS		1
B	LAMP BOTTOM SHADE		1
C	DIFFUSER		1
D	METAL TUBES 12 INCH		3
E	METAL TUBES 6 INCH		1
F	MOUNTING BRACKET IRON ROUND		1
G	CANOPY		1
H	MOUNTING SCREWS 8/32x25mm		2
I	SHORT GREEN SCREW 8/32x8mm		1
K	WIRE NUT		3

PARTS INVENTORY CONT.			
ID	DESCRIPTION		QTY
L	SIDE SCREWS 8/32x20mm		2
M	BULBS E26		3

1



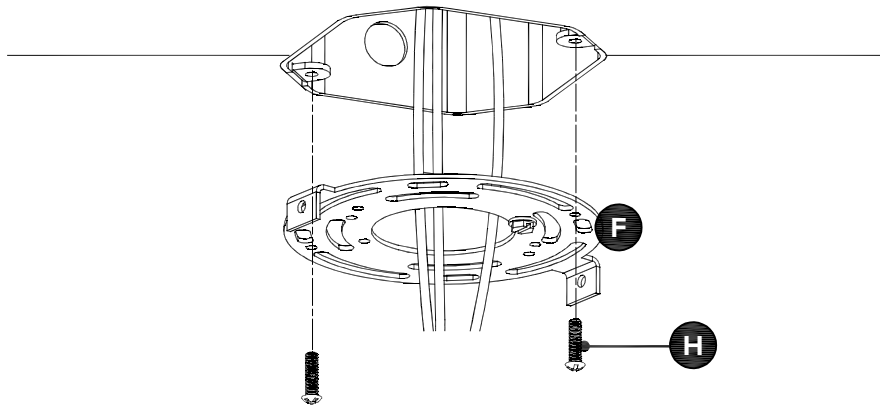
! Hold the wire to prevent twisting.

! Add/remove metal tubes (D)(E) when needed change length.

2

! Insert wire per metal tube from this side

!
CAUTION
Turn off power at main circuit pannel before starting installation.



! Thread wires through mounting bracket iron round (F) before attaching to junction box.

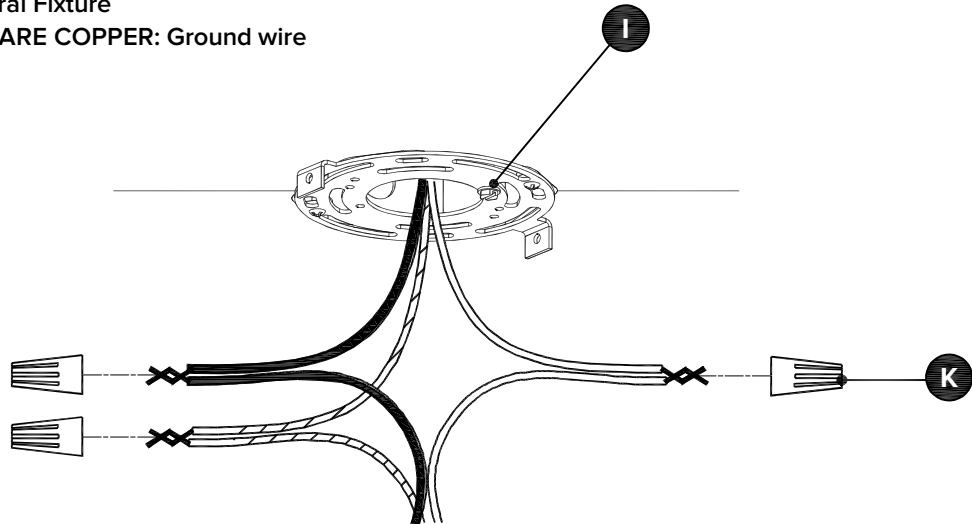
3

! Match up wires by color and attach with wire nuts (K).

BLACK: Hot Fixture

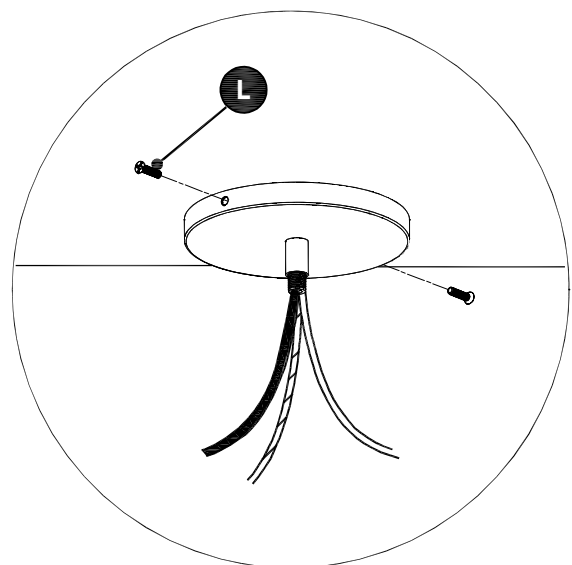
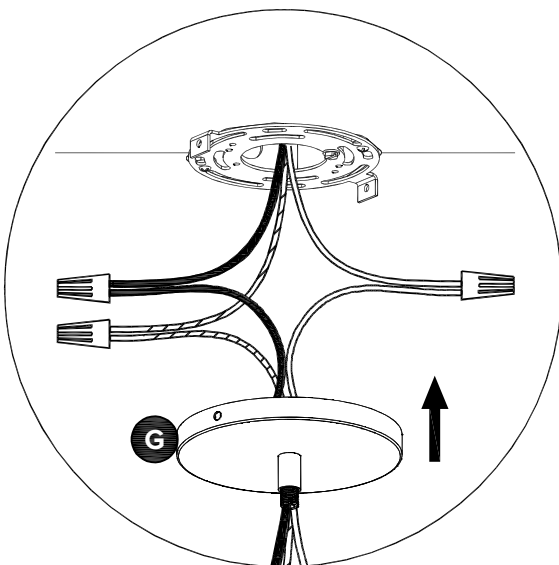
WHITE: Neutral Fixture

GREEN OR BARE COPPER: Ground wire

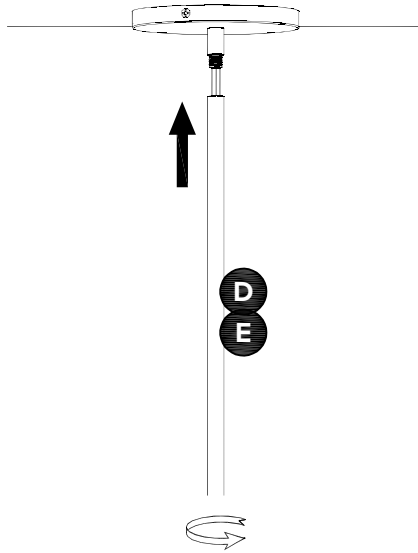


! If junction box does not have a green ground wire, attach ground wire from lamp to short green screw (I) on mounting bracket.

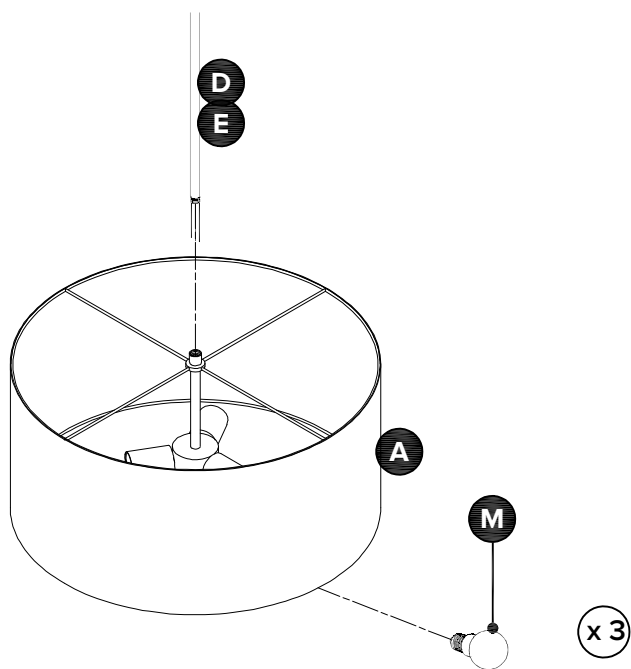
4



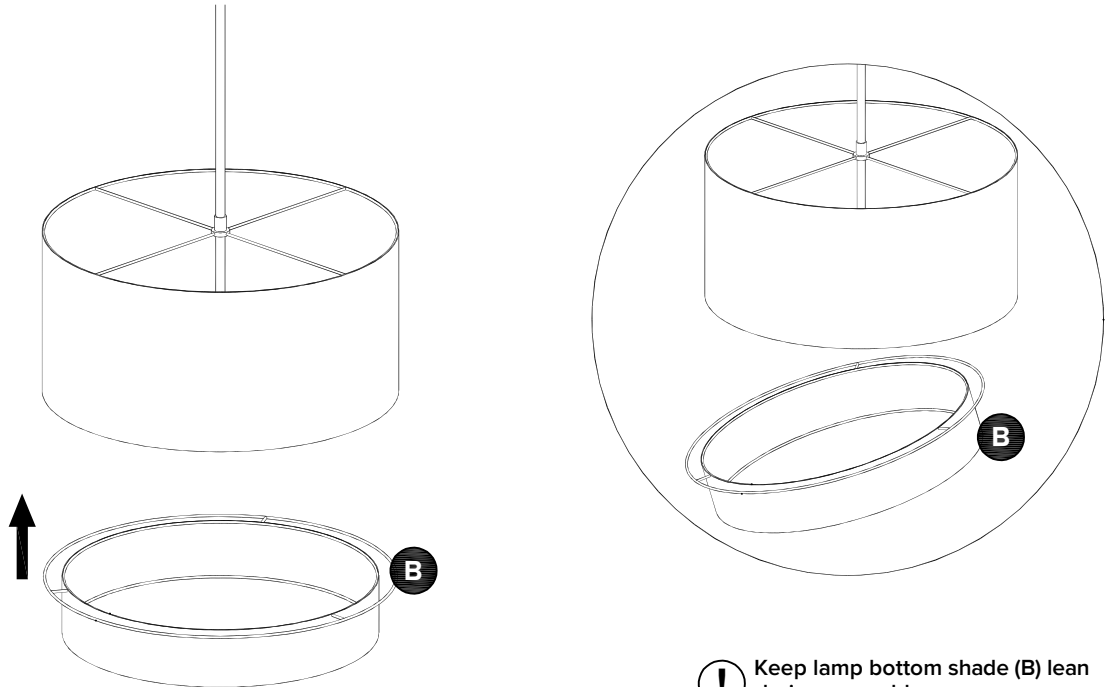
5



6

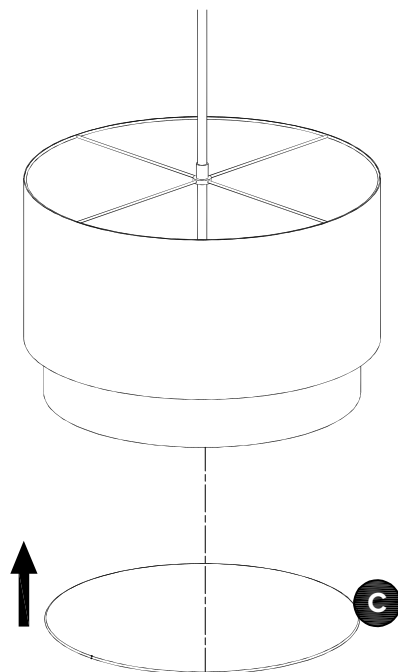


7



! Keep lamp bottom shade (B) lean during assembly.

8



! Please remove the plastic bag before placing diffuser (C) in shade.