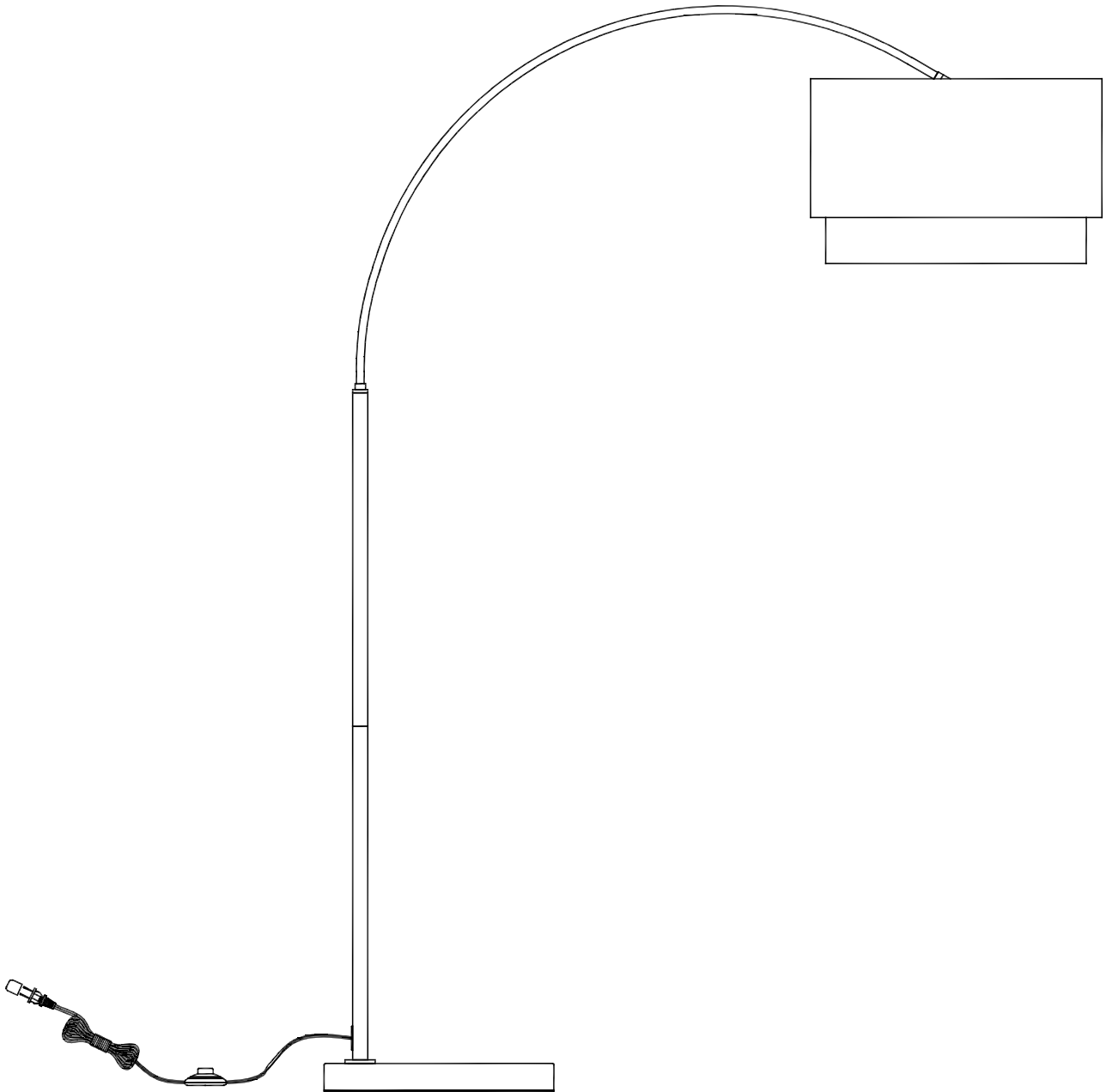


ARTICLE.

VERSION 1

Assembly Instructions



ZEBU ECRU

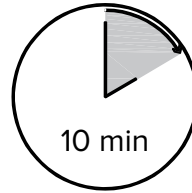
Floor Lamp

ASSEMBLY INSTRUCTIONS

Read these instructions carefully and keep for future reference. Refer to parts inventory for guidance, and ensure you have all pieces before starting.

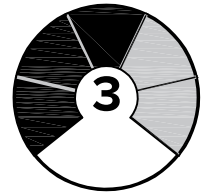
When assembling, place all parts on a soft, clean, and flat surface such as a carpet to prevent scratches.

If you're having difficulty, our friendly Customer Care team is always here to help. Call us at **1.888.746.3455** during business hours, email **service@article.com** or chat live at **article.com**.

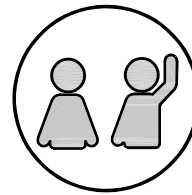


10 min

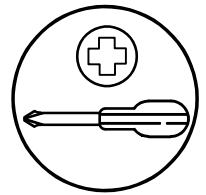
TIME







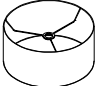




DIFFICULTY

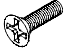


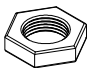




OF PEOPLE

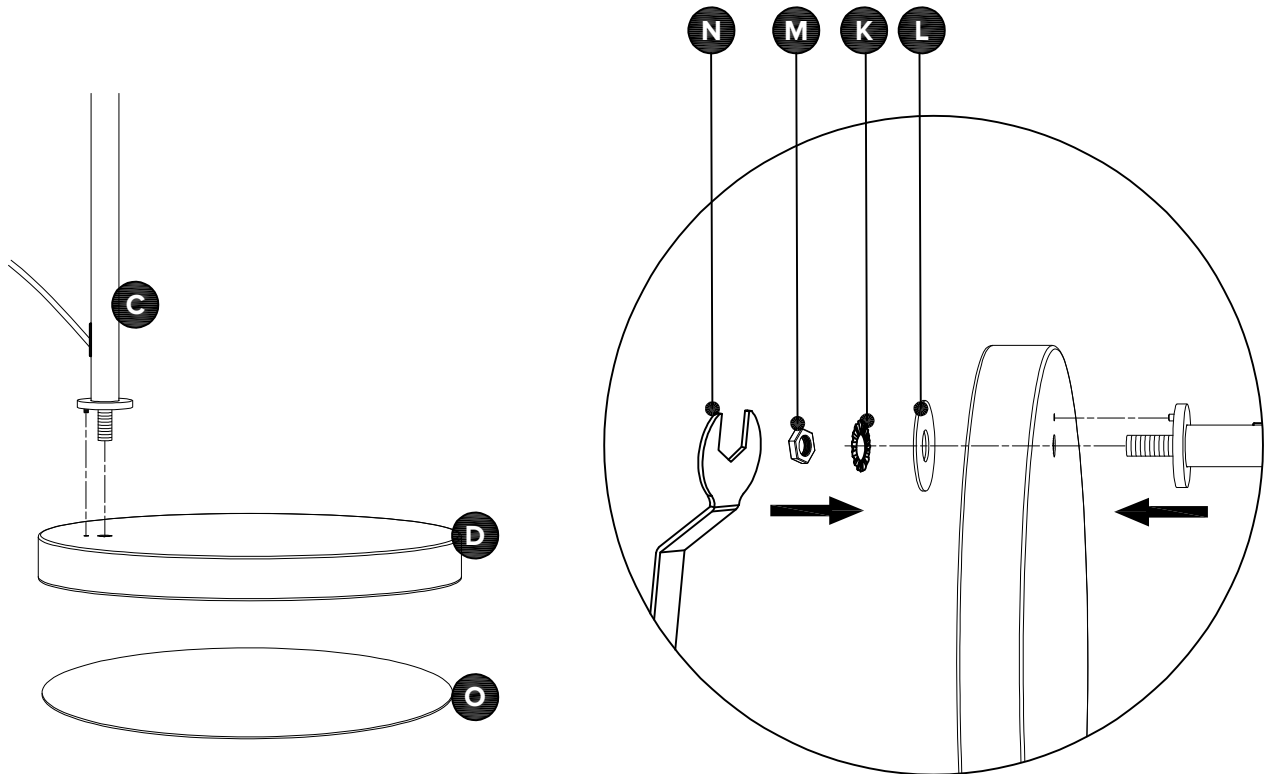


REQUIRED TOOL

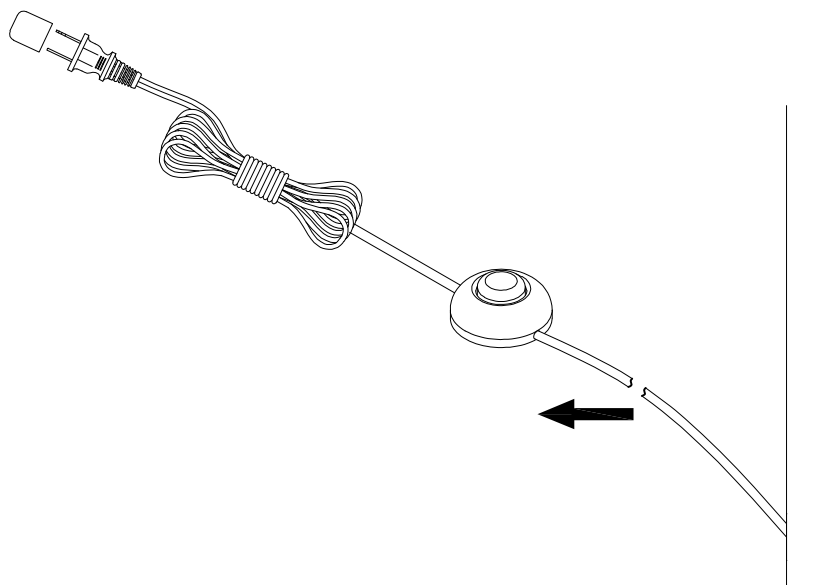
PARTS INVENTORY		
ID	DESCRIPTION	QTY
A	LAMP TOP SEGMENT WITH SOCKET 	1
B	LAMP MIDDLE SEGMENT 	1
C	LAMP BOTTOM SEGMENT 	1
D	BASE 	1
E	LAMP TOP SHADE 	1
F	LAMP BOTTOM SHADE 	1
G	DIFFUSER 	1
H	SOCKET RING (PRE-INSTALLED) 	1
I	BULB 	1

PARTS INVENTORY CONT.		
ID	DESCRIPTION	QTY
J	SCREWS 8/32x8mm 	4
K	WASHER 20mm 	1
L	FLAT WASHER 39mm 	1
M	NUT 19mm 	1
N	WRENCH 	1
O	FELT PAD 	1

1

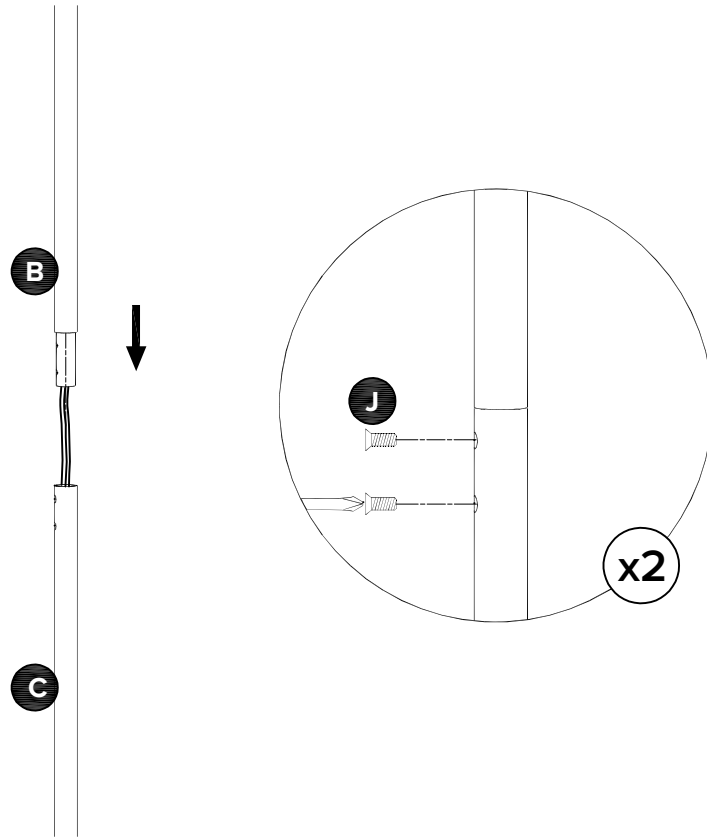


2

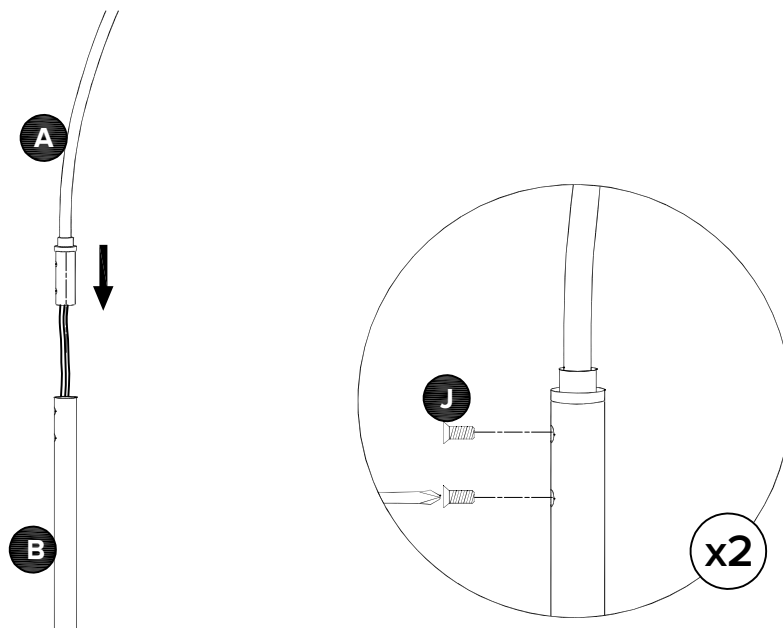


! Pull the cord until segment (A)(B)(C) are connected.

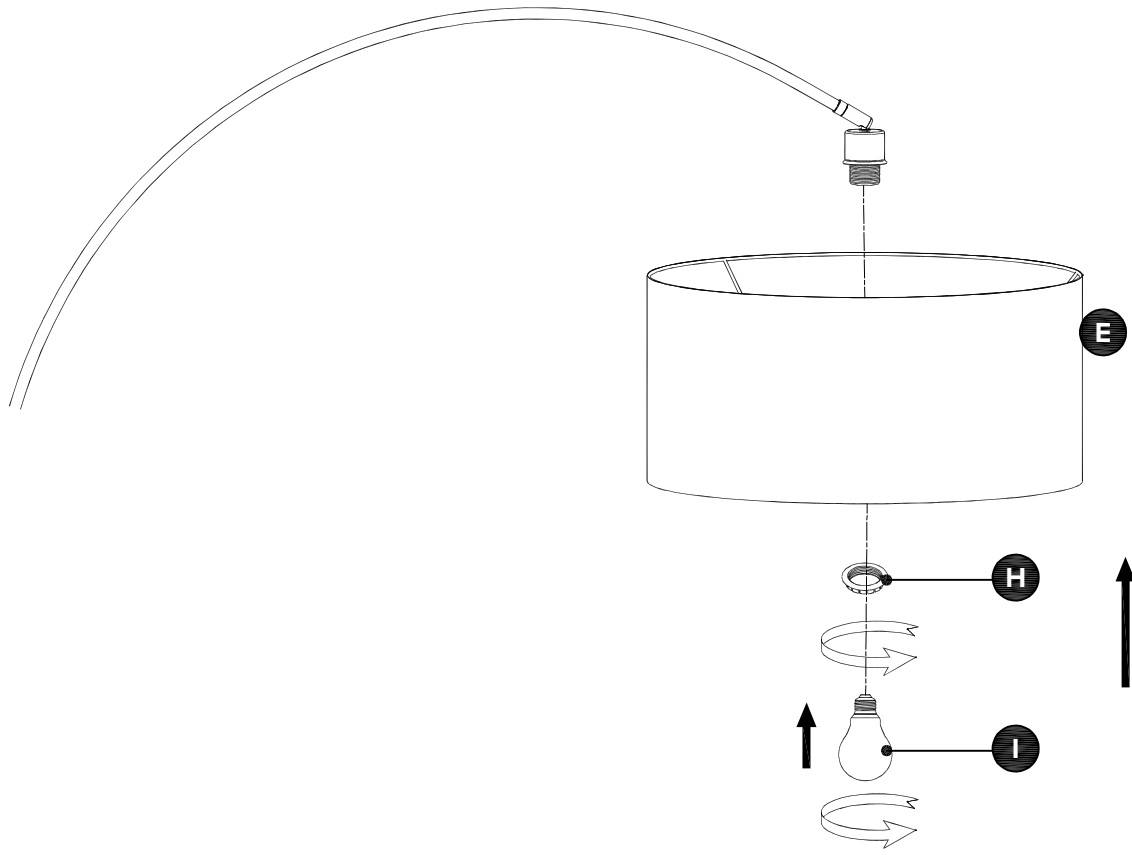
3



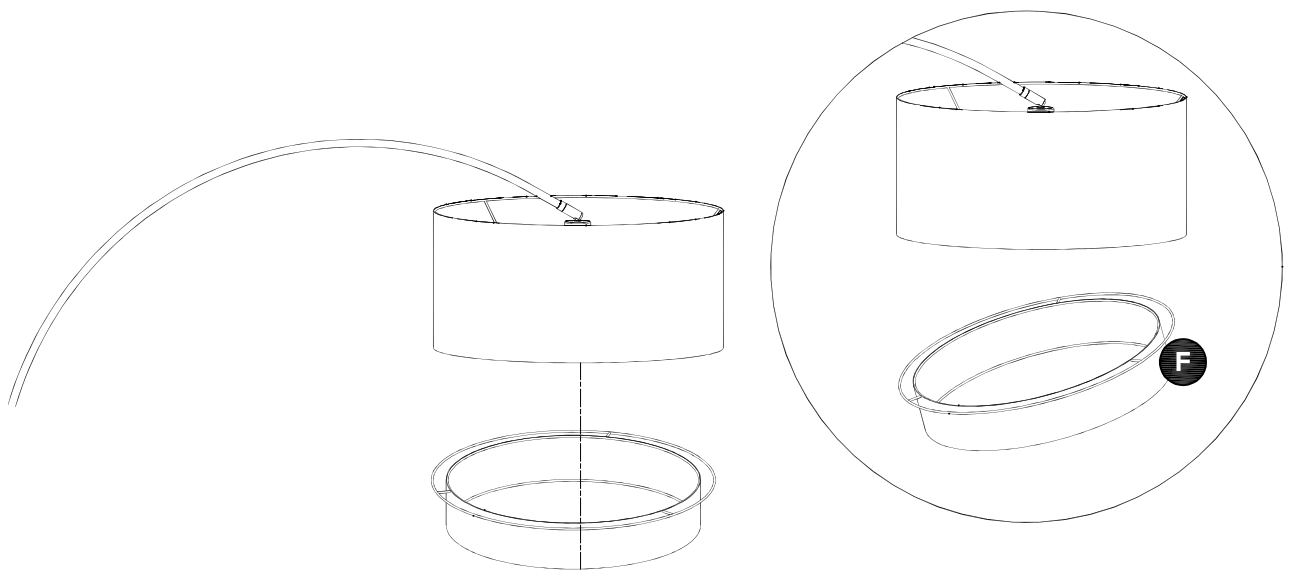
4



5

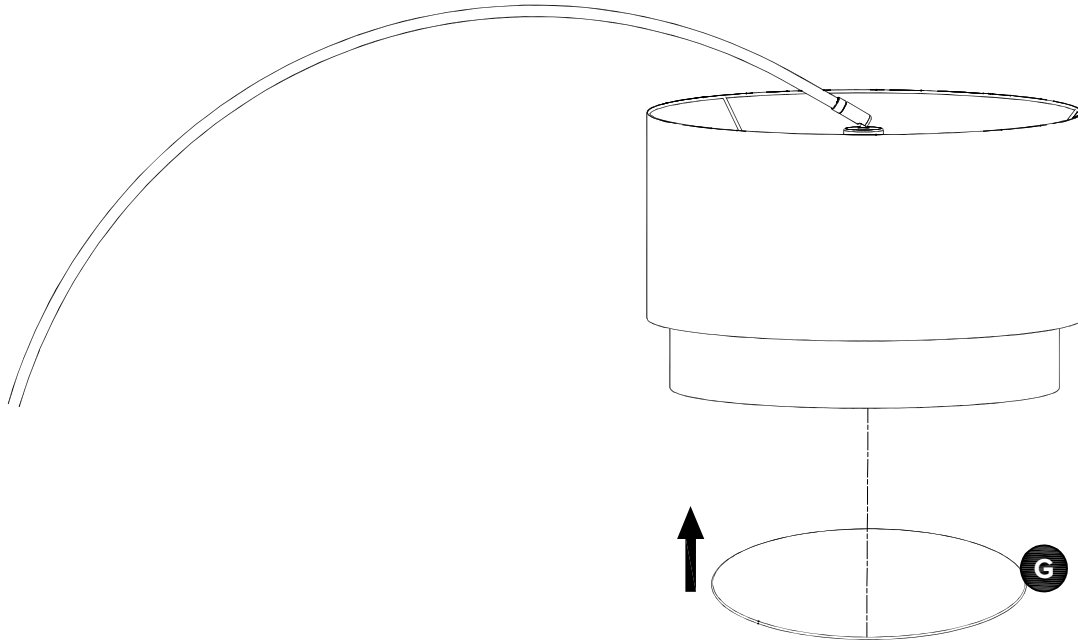


6



! Keep lamp bottom shade (F) lean during assembly.

7



⚠ Please remove the plastic bag before placing diffuser (G) in shade.