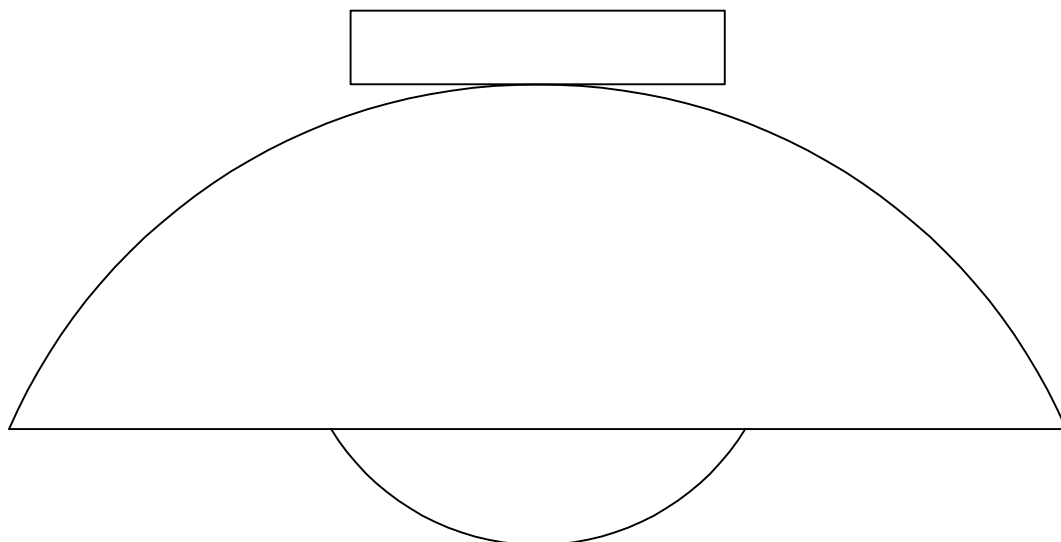


# ARTICLE.

VERSION 1

## Assembly Instructions



# GEMMA

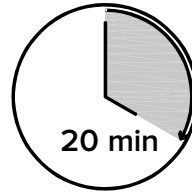
Flushmount

## ASSEMBLY INSTRUCTIONS

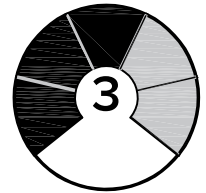
Read these instructions carefully and keep for future reference. Refer to parts inventory for guidance, and ensure you have all pieces before starting.

When assembling, place all parts on a soft, clean, and flat surface such as a carpet to prevent scratches.

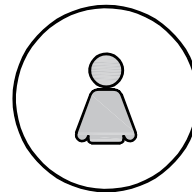
If you're having difficulty, our friendly Customer Care team is always here to help. Call us at **1.888.746.3455** during business hours, email **service@article.com** or chat live at **article.com**.



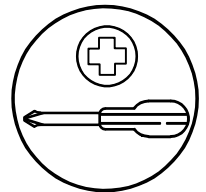
**TIME**



**DIFFICULTY**




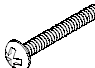





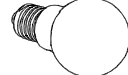
**# OF PEOPLE**



**REQUIRED TOOL**

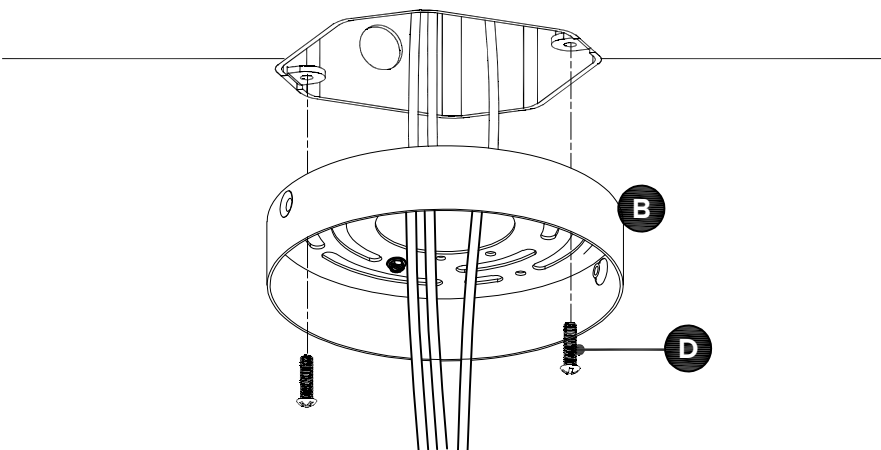
**!** Consultation with a professional electrician is recommended for the installation of this flush lamp.

PARTS INVENTORY			
ID	DESCRIPTION		QTY
<b>A</b>	LAMP BODY		1
<b>B</b>	MOUNTING BRACKET IRON ROUND (PRE-INSTALLED)		1
<b>C</b>	GLASS SHADE		1
<b>D</b>	MOUNTING SCREWS 8/32x25mm		2
<b>E</b>	SHORT GREEN SCREW 8/32x8mm (PRE-INSTALLED)		1
<b>F</b>	WIRE NUT		3

PARTS INVENTORY CONT.			
ID	DESCRIPTION		QTY
<b>G</b>	SIDE SCREWS 8/32x20mm (PRE-INSTALLED)		2
<b>H</b>	BULBS E26		1

1

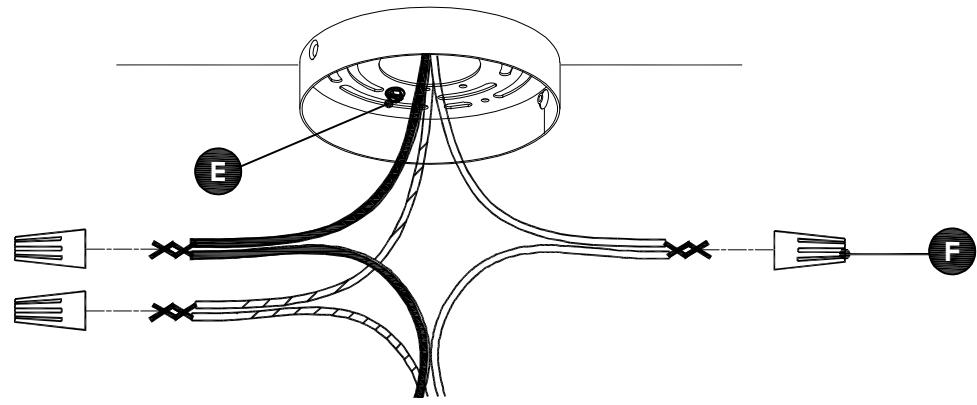
**CAUTION**  
Turn off power at main circuit pannel before starting installation.



! Thread wires through mounting bracket iron round (B) before attaching to junction box.

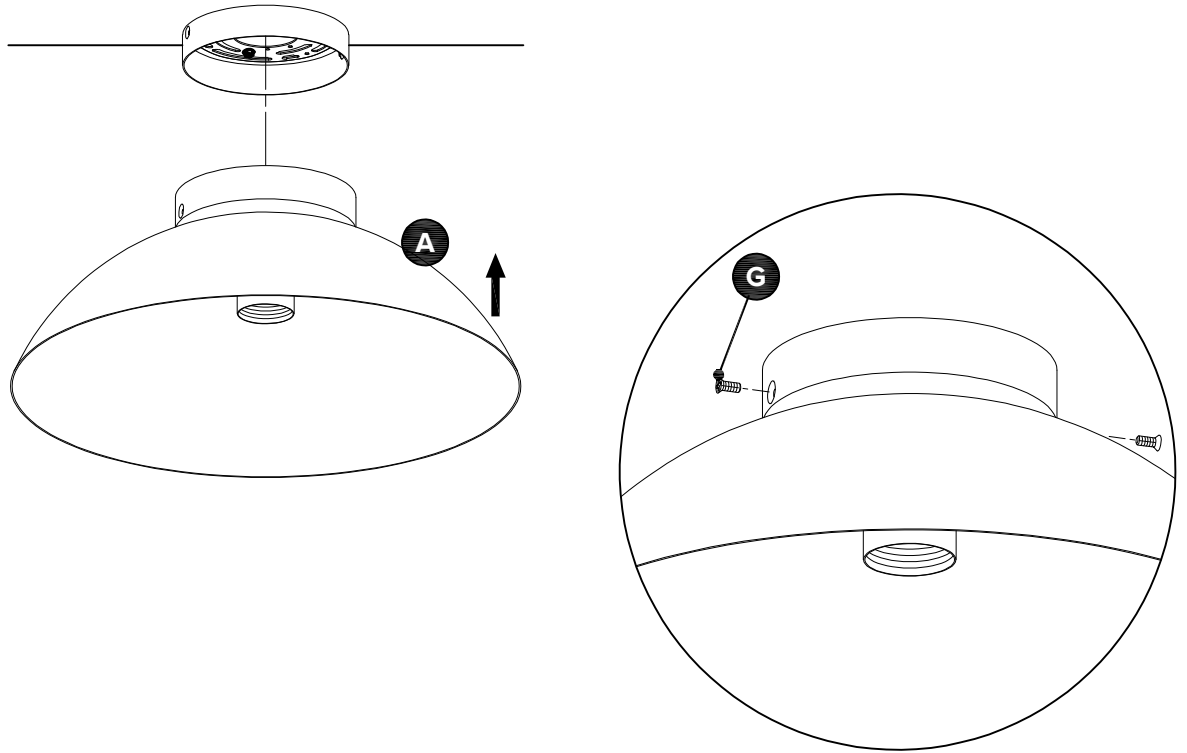
2

! Match up wires by color and attach with wire nuts (F).  
BLACK: Hot Fixture  
WHITE: Neutral Fixture  
GREEN OR BARE COPPER: Ground Wire



! If junction box does not have a green ground wire, attach ground wire from lamp to short green screw (E) on mountingbracket.

3



4

