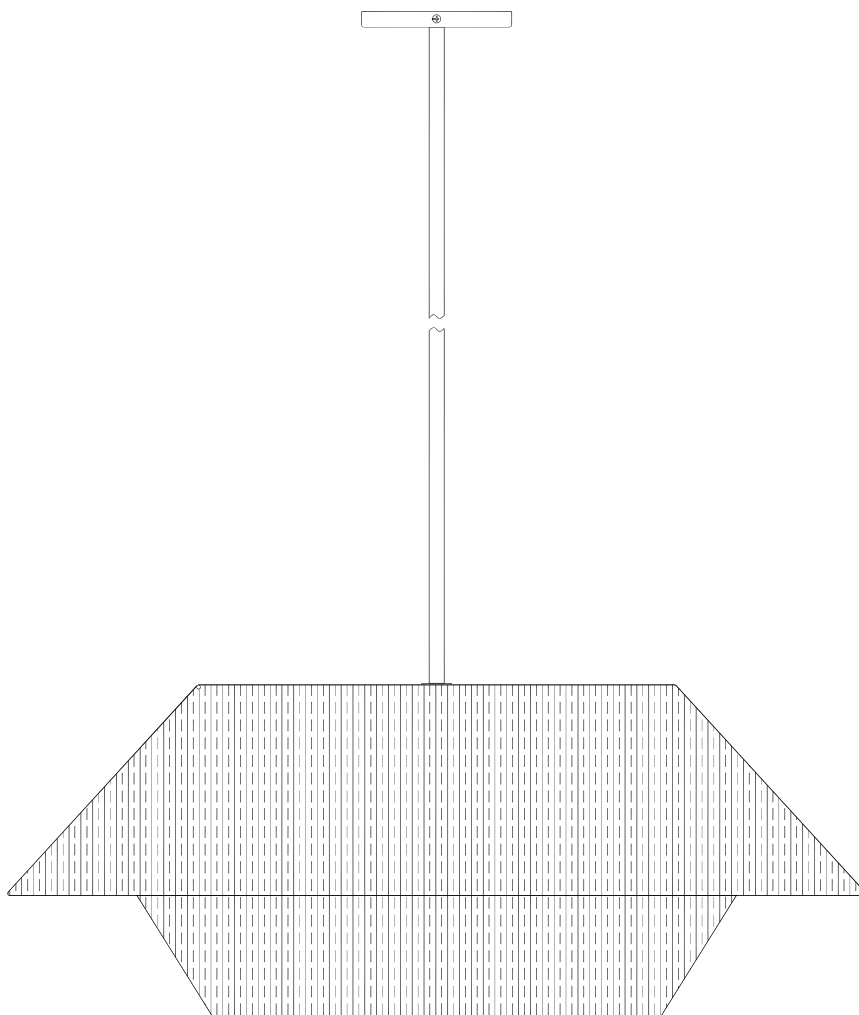


# ARTICLE.

VERSION 1

## Assembly Instructions



# GAVI

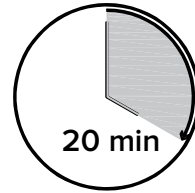
Chandelier

## ASSEMBLY INSTRUCTIONS

Read these instructions carefully and keep for future reference. Refer to parts inventory for guidance, and ensure you have all pieces before starting.

When assembling, place all parts on a soft, clean, and flat surface such as a carpet to prevent scratches.

If you're having difficulty, our friendly Customer Care team is always here to help. Call us at **1.888.746.3455** during business hours, email **service@article.com** or chat live at **article.com**.



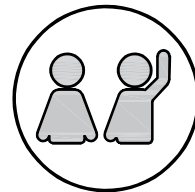
20 min

**TIME**

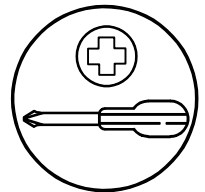


4

**DIFFICULTY**




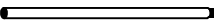
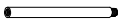
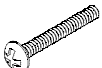


**# OF PEOPLE**




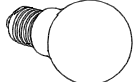


**REQUIRED TOOL**

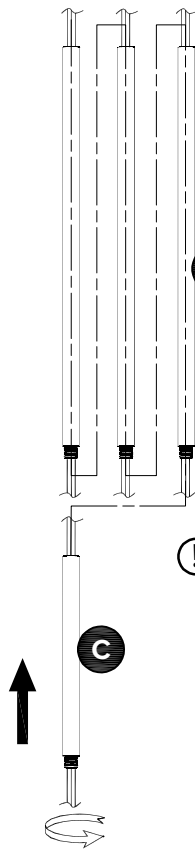


Consultation with a professional electrician is recommended for the installation of this chandelier lamp.

PARTS INVENTORY		
ID	DESCRIPTION	QTY
<b>A</b>	LAMP SHADE WITH SOCKETS 	1
<b>B</b>	METAL TUBES 12 INCH 	3
<b>C</b>	METAL TUBES 6 INCH 	1
<b>D</b>	MOUNTING SCREWS 8/32x25mm 	2
<b>E</b>	SHORT GREEN SCREW 8/32x25mm 	1
<b>F</b>	WIRE NUT 	3

PARTS INVENTORY CONT.		
ID	DESCRIPTION	QTY
<b>G</b>	SIDE SCREWS 8/32x20mm 	2
<b>H</b>	MOUNTING BRACKET IRON ROUND 	1
<b>I</b>	CANOPY 	1
<b>J</b>	BULBS E26 	3

1



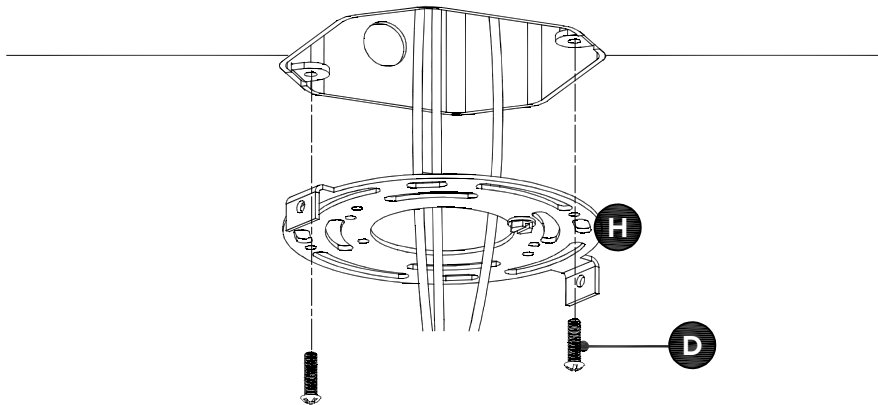
! Add/remove metal tubes (B)(C) when needed change lenght.

! Hold the wire to prevent twisting.

2

! Insert wire per metal tube from this side

**!**  
**CAUTION**  
Turn off power at main circuit pannel  
before starting installation.



! Thread wires through mounting bracket iron round (H) before attaching to junction box.

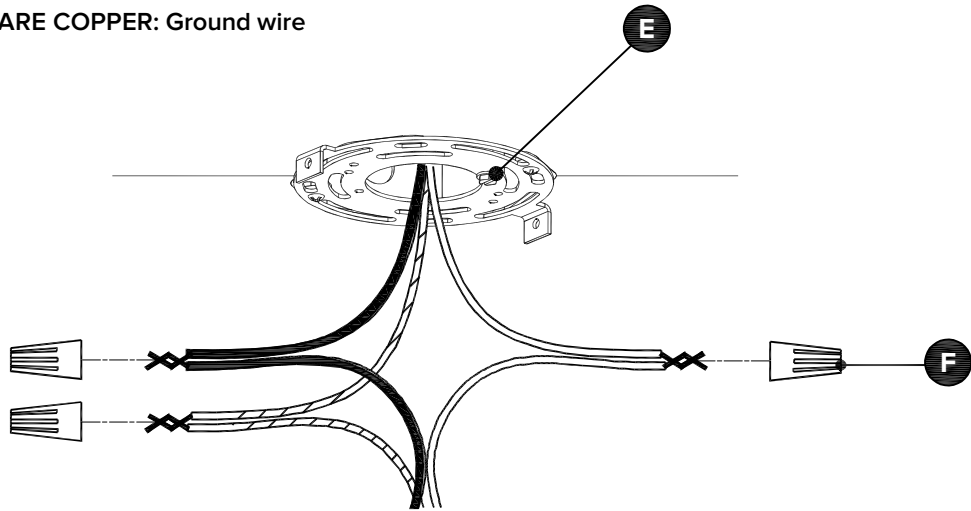
3

! Match up wires by color and attach with wire nuts (F).

BLACK: Hot Fixture

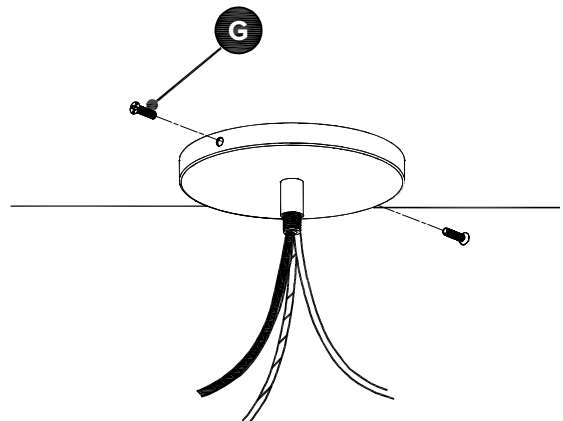
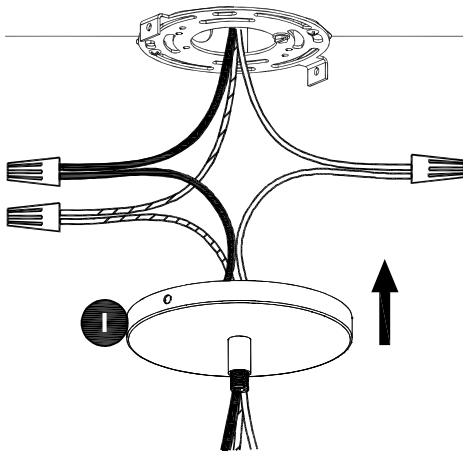
WHITE: Neutral Fixture

GREEN OR BARE COPPER: Ground wire



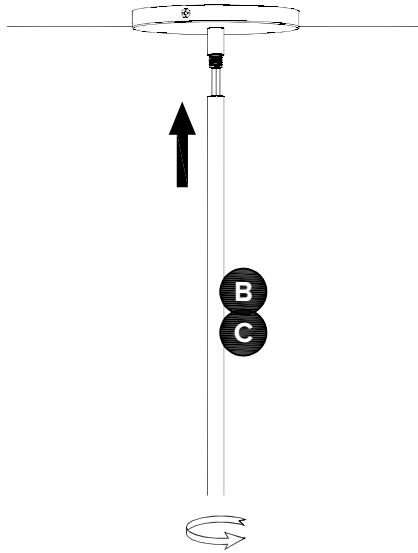
If junction box does not have a green ground wire, attach ground wire from lamp to short green screw (E) on mounting bracket.

4



! Align one side first then tighten 50% then align other side and fully tighten.

5



6

