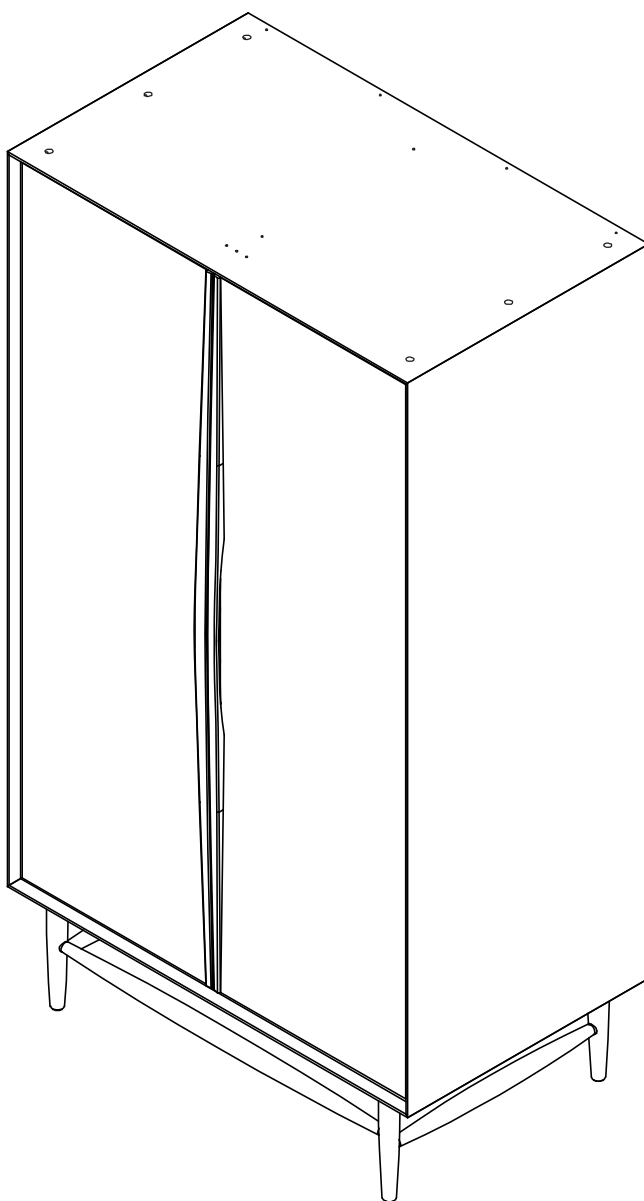


ARTICLE.

VERSION 1.0

Assembly Instructions



LENIA

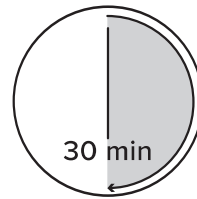
Armoire

ASSEMBLY INSTRUCTIONS

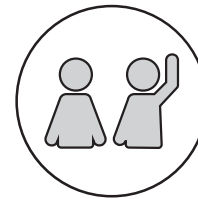
Read these instructions carefully and keep for future reference. Refer to parts inventory for guidance, and ensure you have **all** pieces before starting.

When assembling, place **all** parts on a soft, clean, and flat surface such as a carpet to prevent scratches.

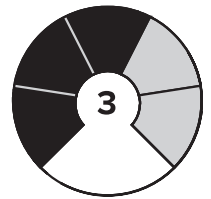
If you're having difficulty, our friendly Customer Care team is always here to help. Call us at **1.888.746.3455** during business hours, email service@article.com or chat live at [article.com](https://www.article.com).



TIME



OF PEOPLE

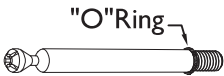

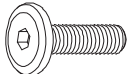
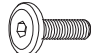



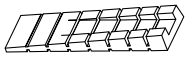


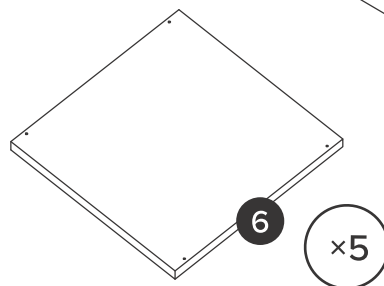
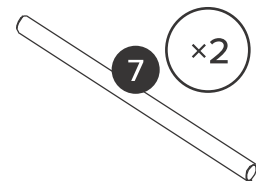
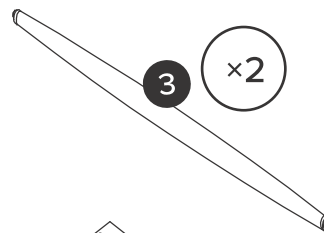
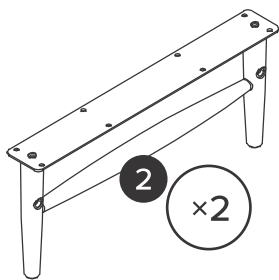
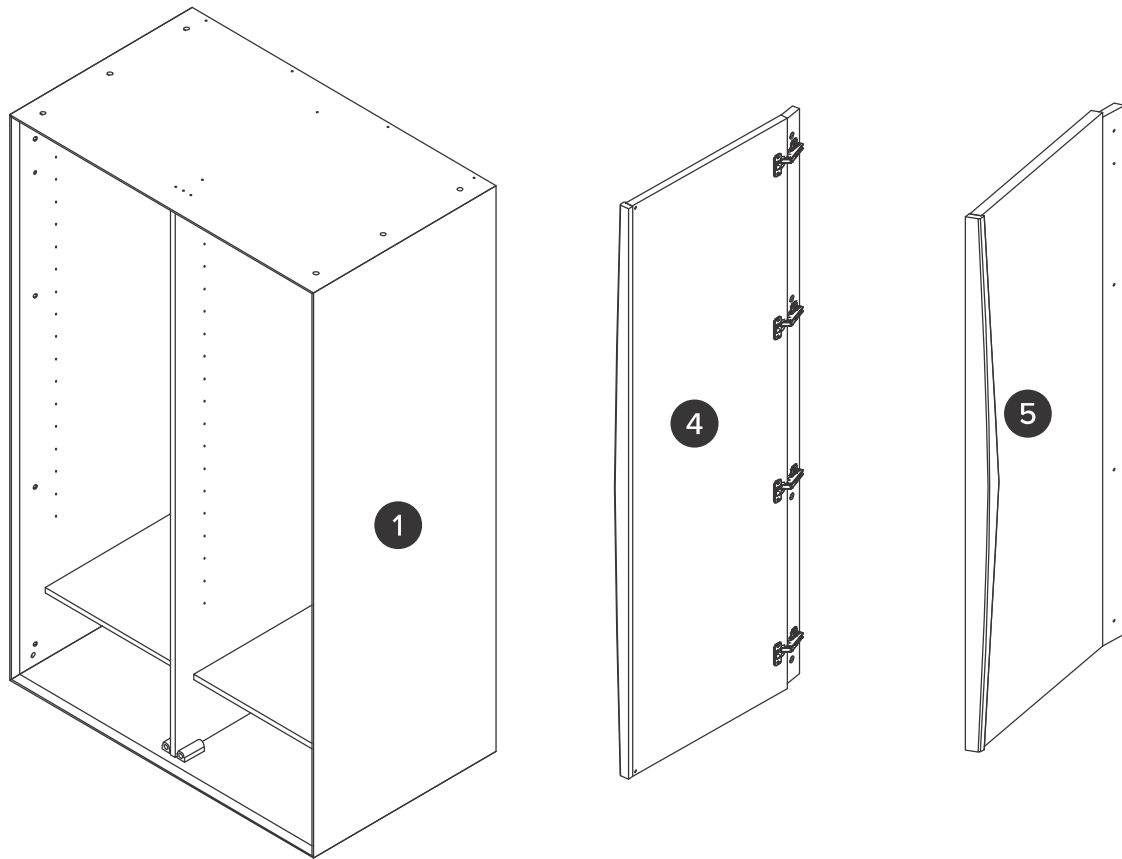
DIFFICULTY



Hardware may loosen over time, check the bolts regularly and tighten if necessary.

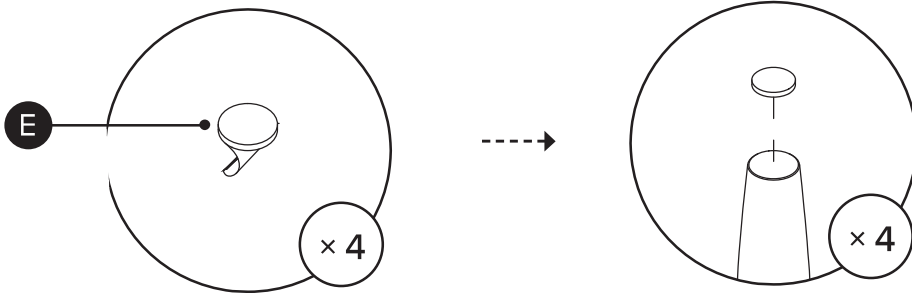
PARTS INVENTORY		
ID	DESCRIPTION	QTY
1	WARDROBE BODY	1
2	LEG	2
3	STRETCHER	2
4	LEFT DOOR	1
5	RIGHT DOOR	1
6	SHELF	5
7	HANGER RAIL	2

HARDWARE LIST		
ID	DESCRIPTION	QTY
A	COMPRESSION FITTING ANCHOR 	4
B	M8 x 8MM SCREW 	4
C	M8 BOLT 	16
D	M6 BOLT 	8
E	FELT PAD 	4
F	ALLEN KEY 	1
G	SHELF PIN 	20
H	WEDGE LEVELER 	2

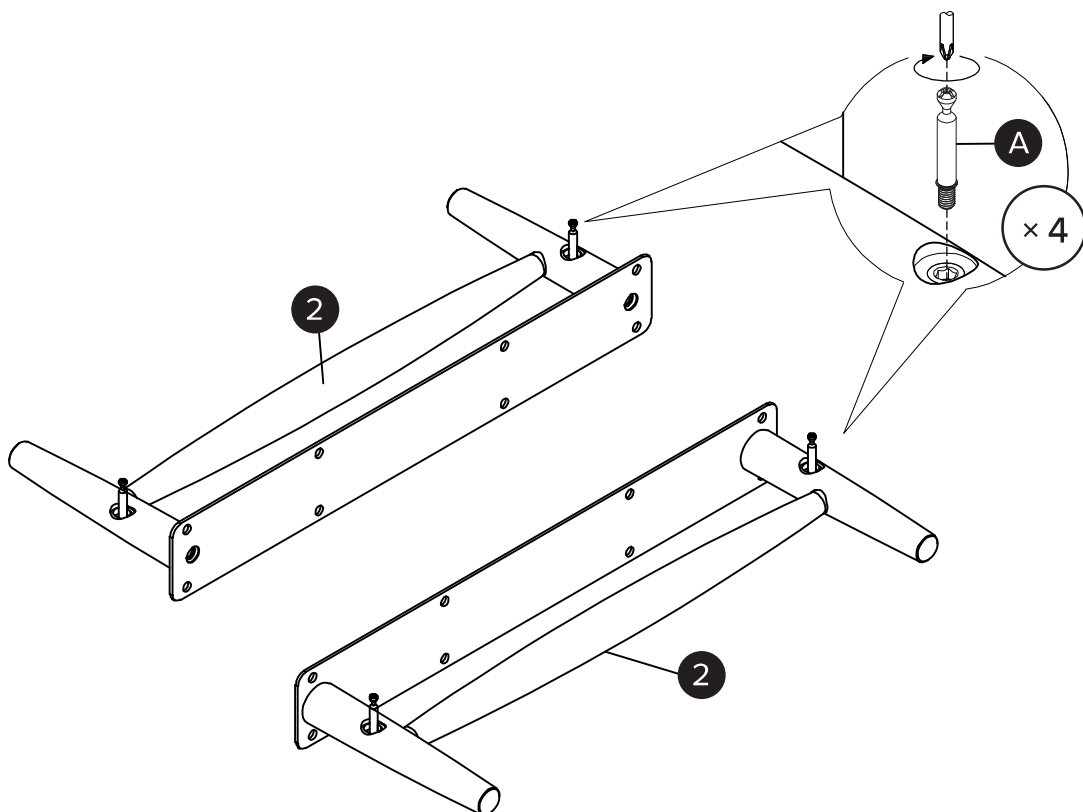




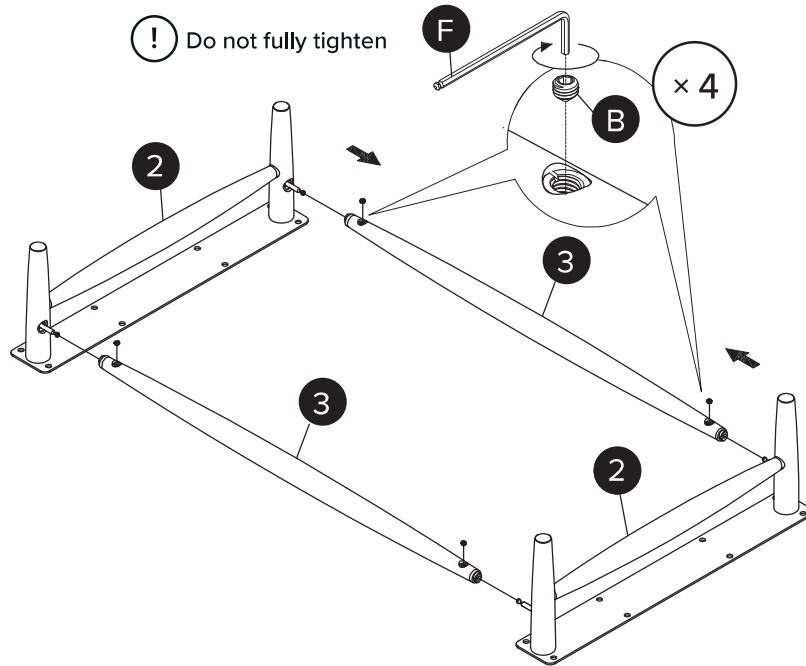
1



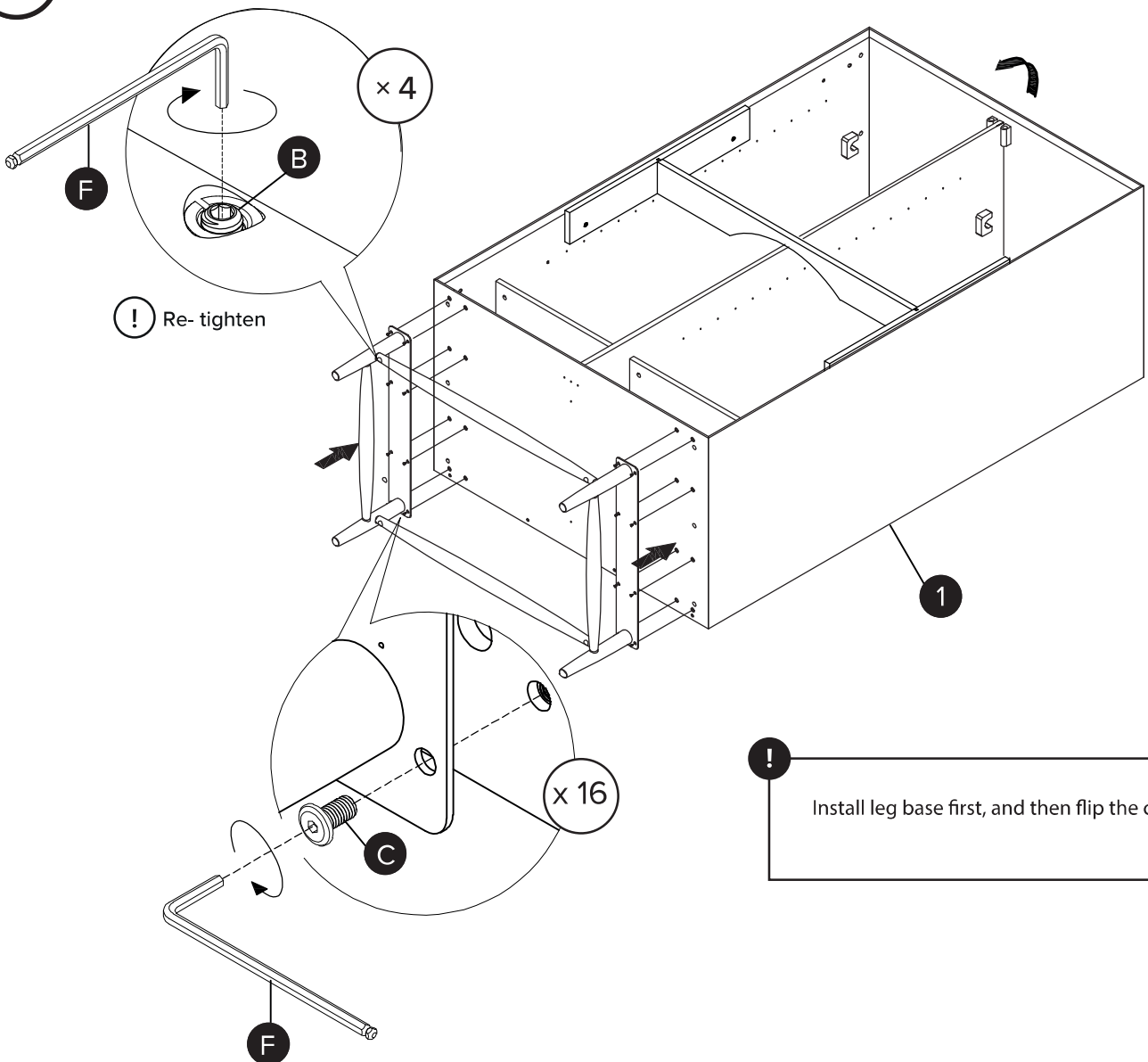
2



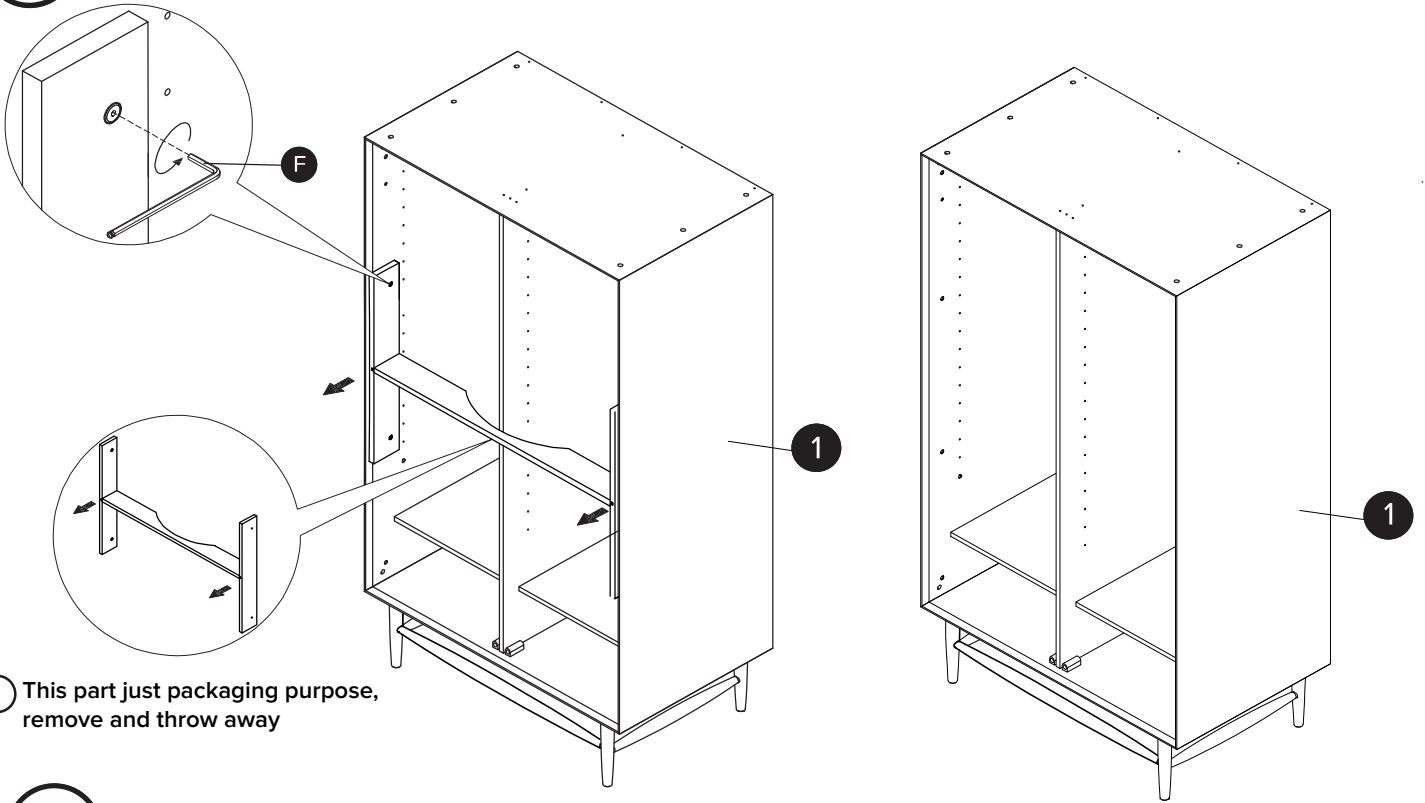
3



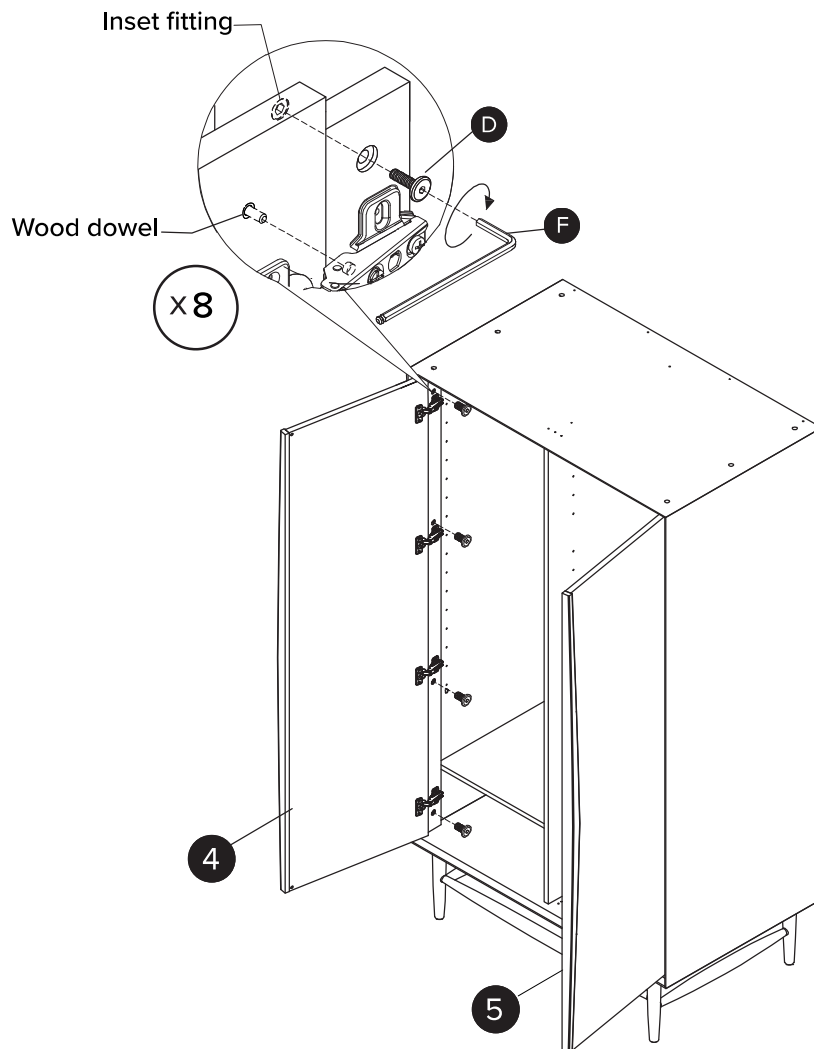
4



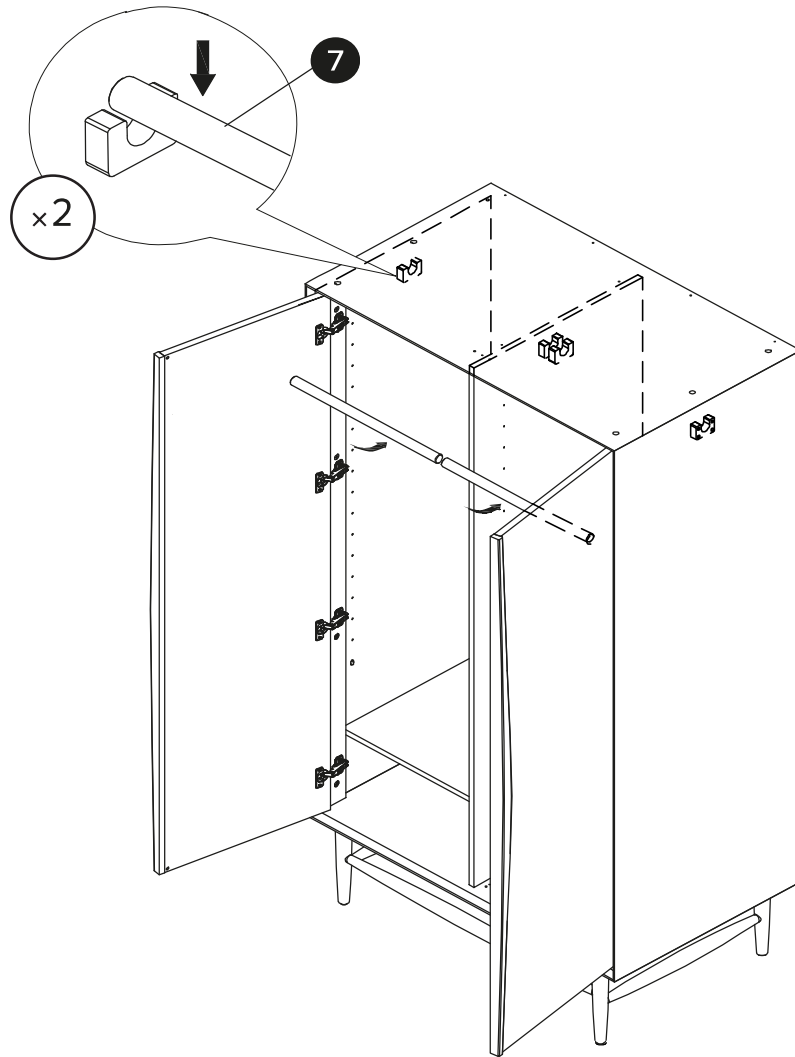
5



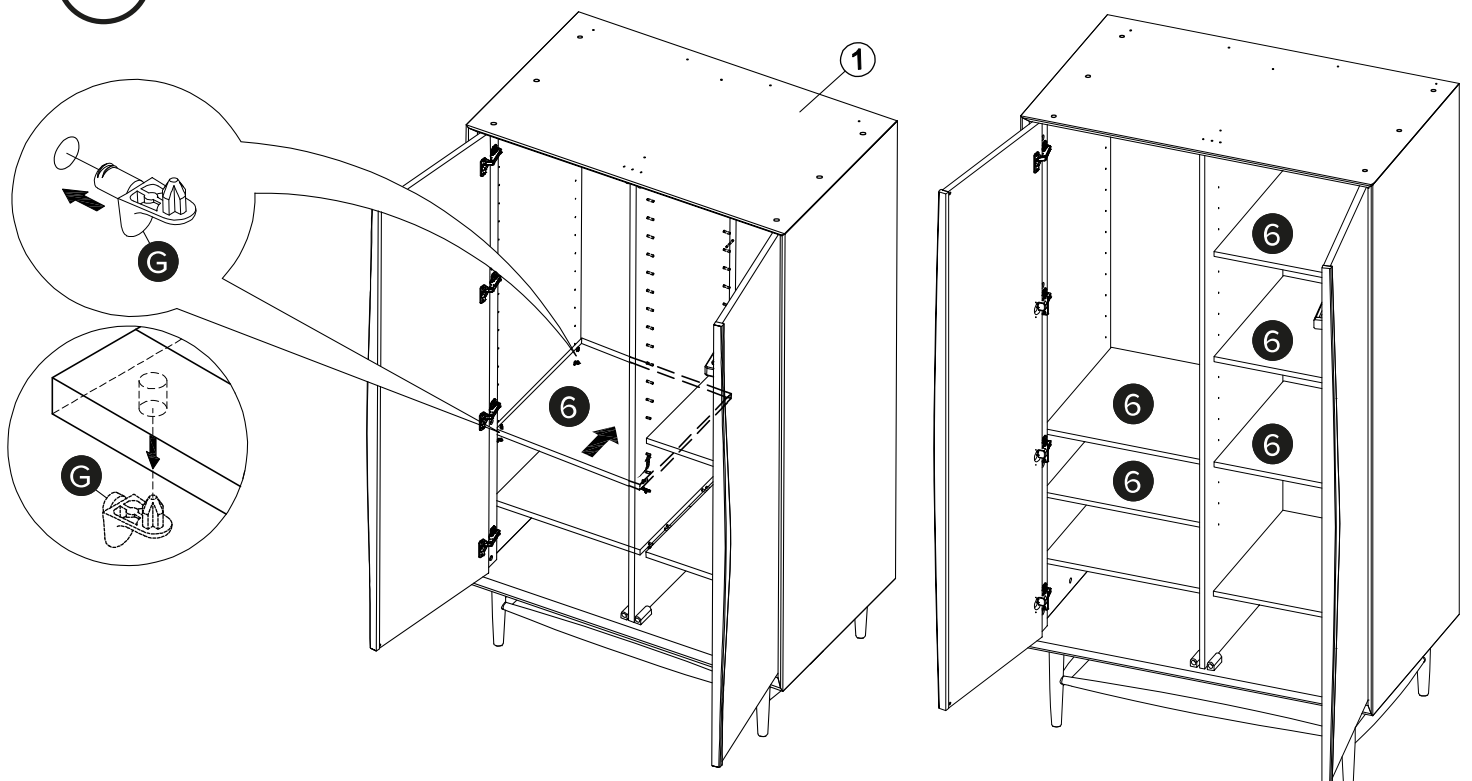
6



7



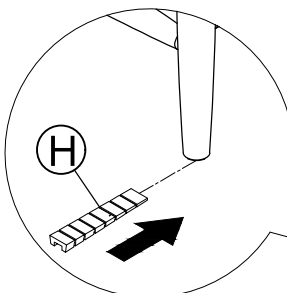
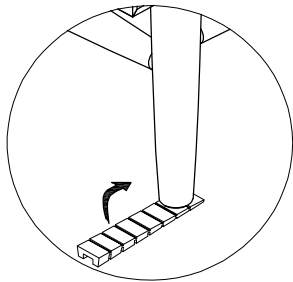
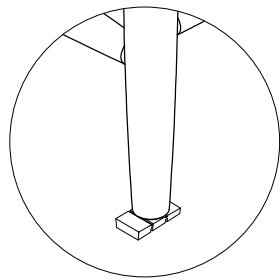
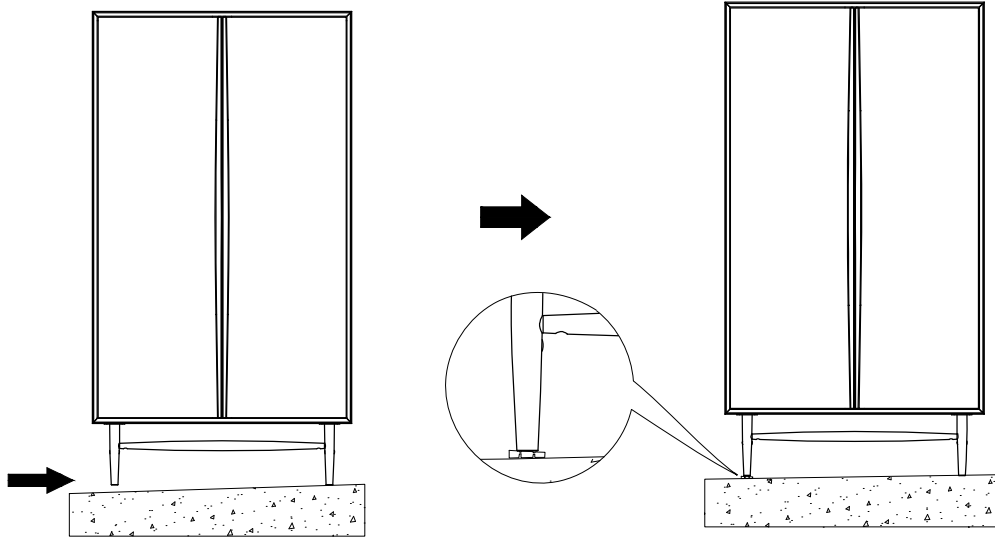
8



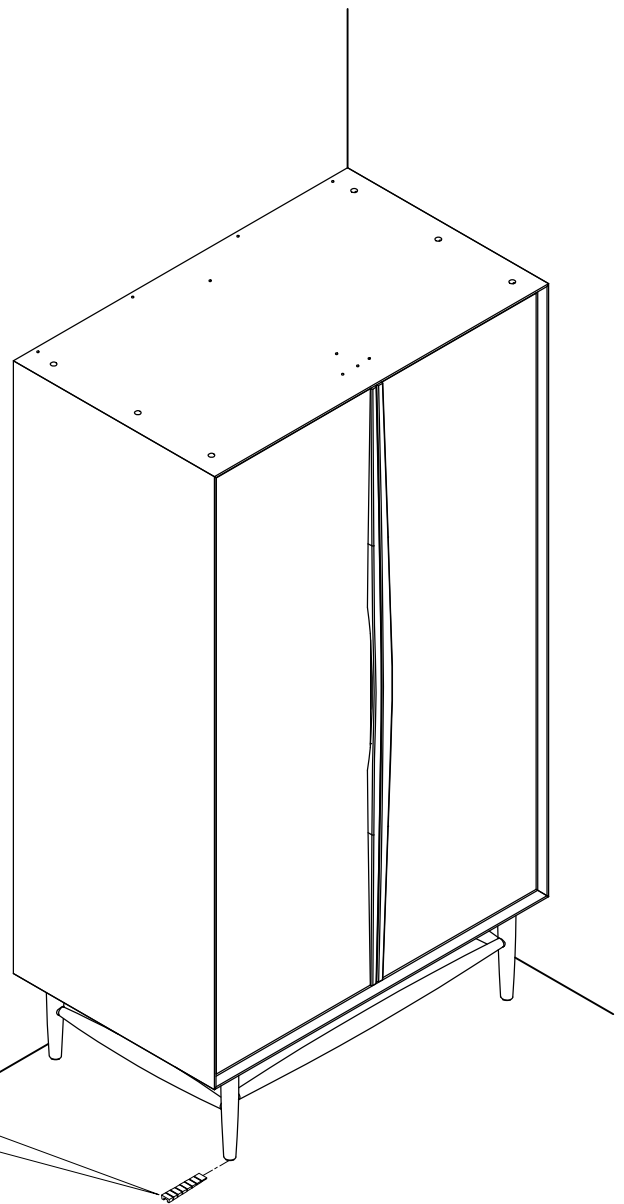
9



(H) x 2



! Insert the wedge until the gap is filled





ANTI-TIP RESTRAINT INSTALLATION

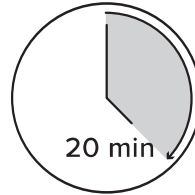
WARNING!

Children have died from furniture tipover.
To reduce the risk of furniture tipover:

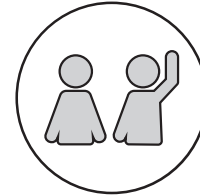
- ALWAYS install tipover restraint provided.
- NEVER put a TV on this product.
- NEVER allow children to stand, climb or hang on drawers, doors, or shelves.
- NEVER open more than one drawer at a time.
- Place heaviest items in the lower drawers.

Attaching furniture to wall with anti-tip kits:

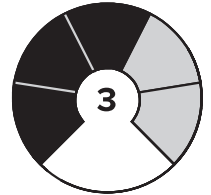
- Determine where the piece is to be placed and mark location on the wall for the mounting bracket screw holes. They should be placed approximately below the top on the back piece of furniture.
- Drill the hole and use the appropriate wall plug that is suitable for your walls composition.
- Attach the mounting bracket vertically to the wall using appropriate fastener, through the holes in the bracket and 2 wall plugs that are suitable to your wall and then tighten securely.
- Next using the short screws attach the 2nd bracket to the back of the piece of furniture's top.
- Lace the nylon strap down through the brackets. Slide the thin end of the strap through the receiving end on the nylon strap. Pull to tighten the piece of furniture snug against the wall.



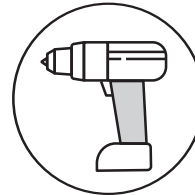
TIME



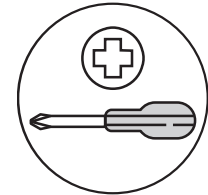
OF PEOPLE




DIFFICULTY

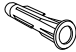
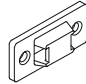


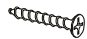


REQUIRED TOOL
8MM / 5/16" DRILL BIT



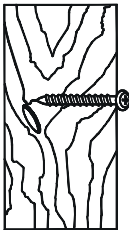
REQUIRED TOOL

 To prevent injury and property damage from unexpected tipping of furniture, we highly recommend installation of the anti-tip kit included with this product.

PARTS INVENTORY		
ID	DESCRIPTION	QTY
A	M8 × 51MM PLUG 	4
B	MOUNTING PLATE 	4
C	NYLON STRAP 	2
D	M4 × 17MM SCREW 	4
E	M6 × 70MM SCREW 	4

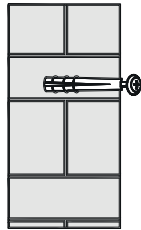
i

Wood



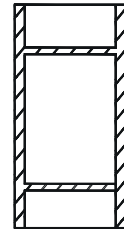
If fixing to wood make sure that is not chipboard as screws can easily pull away from the core structure.

Brick or Masonry



Use an appropriate wall plug provided you are sure your wall is sound.

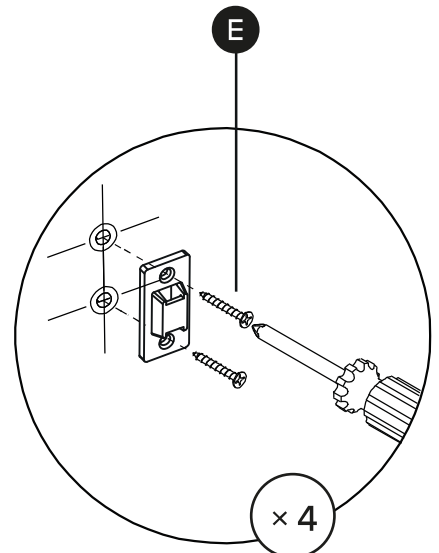
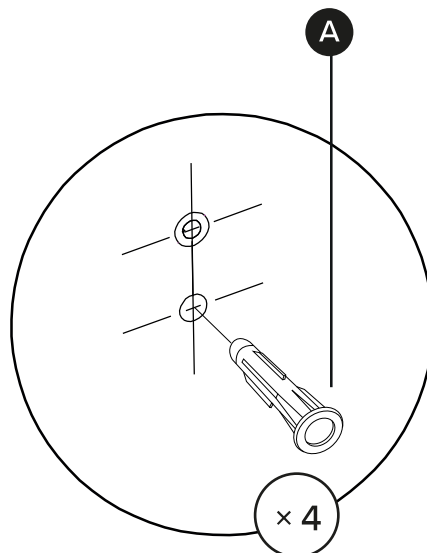
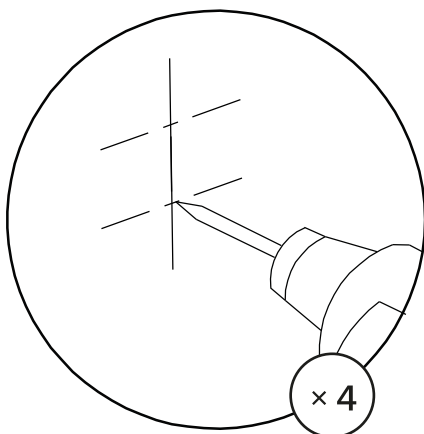
Cavity Wall



Special toggle wall plugs are needed. Seek expert advice.

1

! Before drilling check wall for hidden pipes and cables.



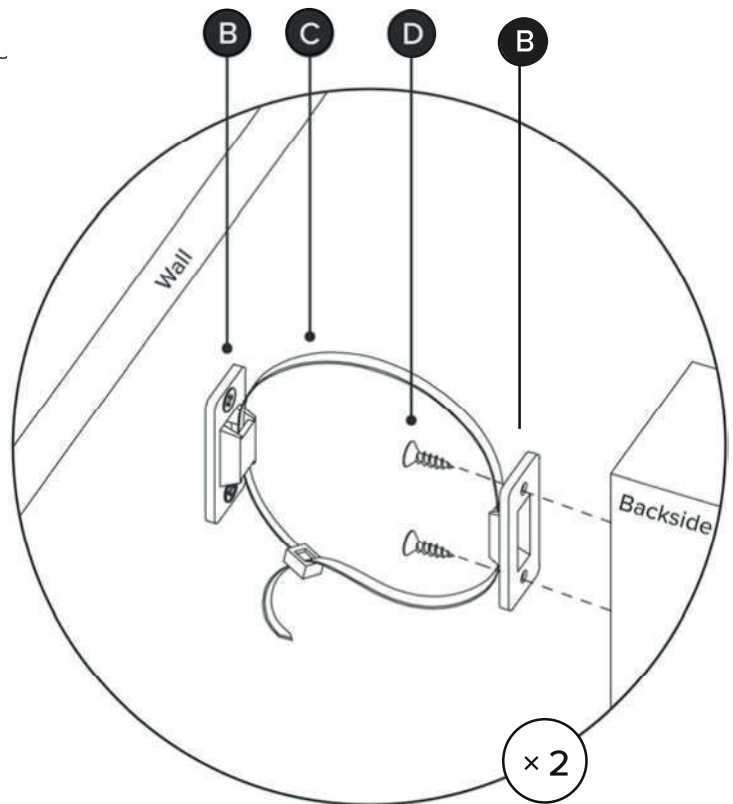
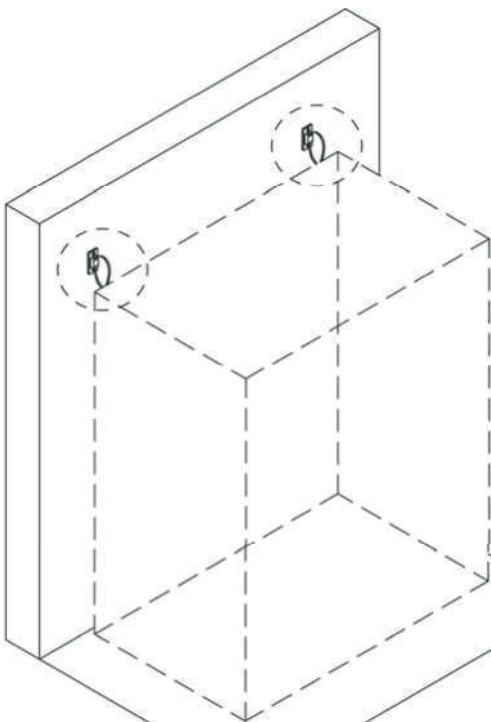
Drill holes in wall using 8mm / 5/16" drill bit.

2

!

CARE INSTRUCTIONS :

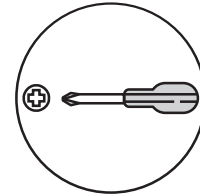
1. Hardware may loosen overtime. Periodically check that all connections are tight and re-tighten as necessary.
2. Wipe with a soft, dry cloth. To protect finish, avoid the use of chemicals and household cleaner.



Pull strap down until it snap-locks.

DOOR ADJUSTMENT INSTRUCTIONS

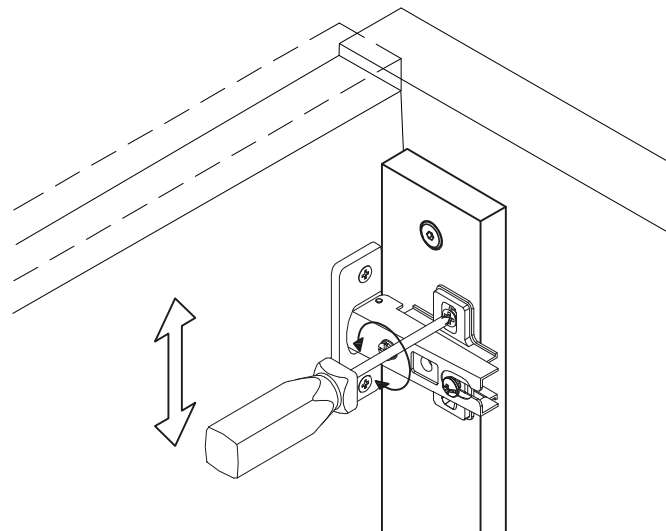
! During shipping, the doors of your cabinet may have shifted slightly. This can easily be corrected by tightening a few screws. Always start by adjusting the top hinge on the affected door.



REQUIRED TOOL

FIX A CROOKED DOOR

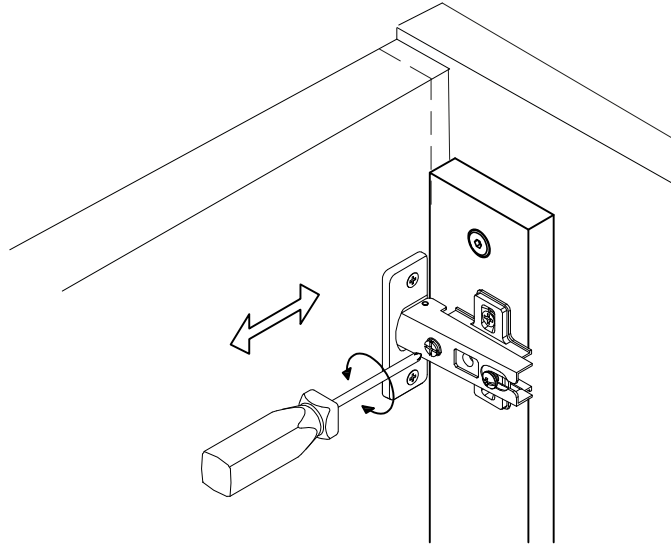
! If the door is crooked, adjust hinge(s) up or down:



ARTICLE.

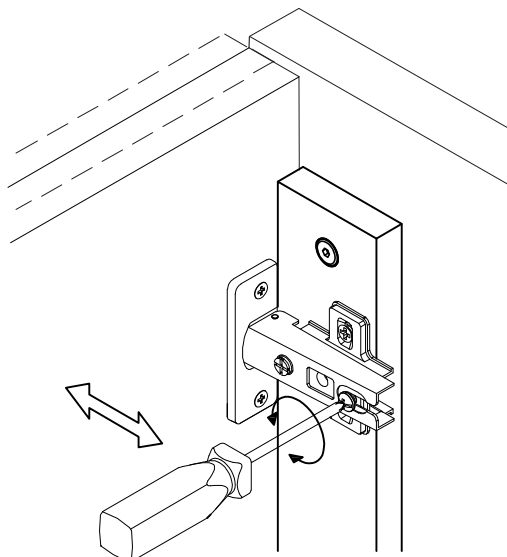
SIDEWAYS ADJUSTMENT

⚠ If the door needs adjustment side to side:



DEPTH ADJUSTMENT

⚠ If the door needs adjustment forward or backward:



ARTICLE.

If you're having difficulty, our friendly Customer Care team is always here to help. Call us at **1.888.746.3455** during business hours, email service@article.com or chat live at article.com.