

ARTICLE.

VERSION 1.0

Assembly Instructions



LENIA

Twin Spindle Bed

ASSEMBLY INSTRUCTIONS

Read these instructions carefully and keep for future reference. Refer to parts inventory for guidance, and ensure you have all pieces before starting.

When assembling, place all parts on a soft, clean, and flat surface such as a carpet to prevent scratches.

If you're having difficulty, our friendly Customer Care team is always here to help. Call us at **1.888.746.3455** during business hours, email service@article.com or chat live at [article.com](https://www.article.com).



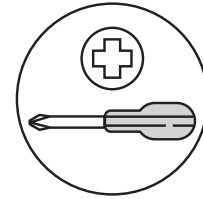
TIME



DIFFICULTY



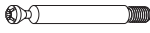




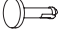
OF PEOPLE

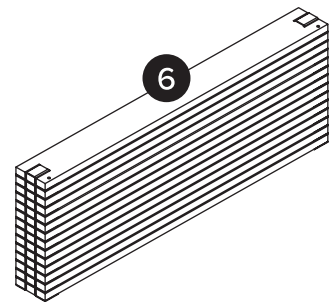
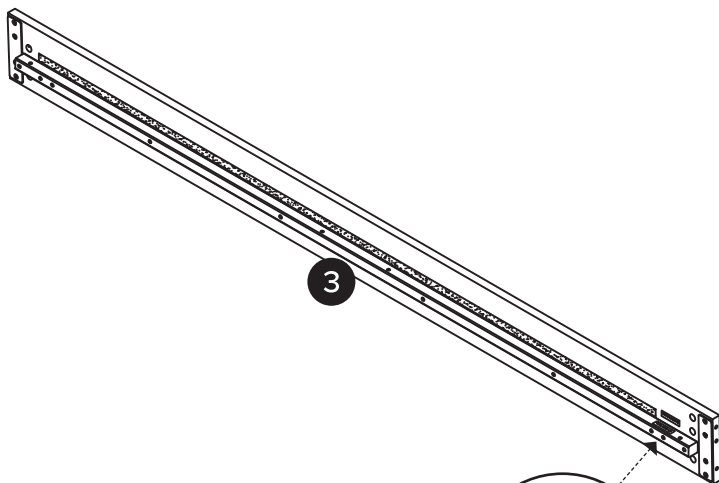
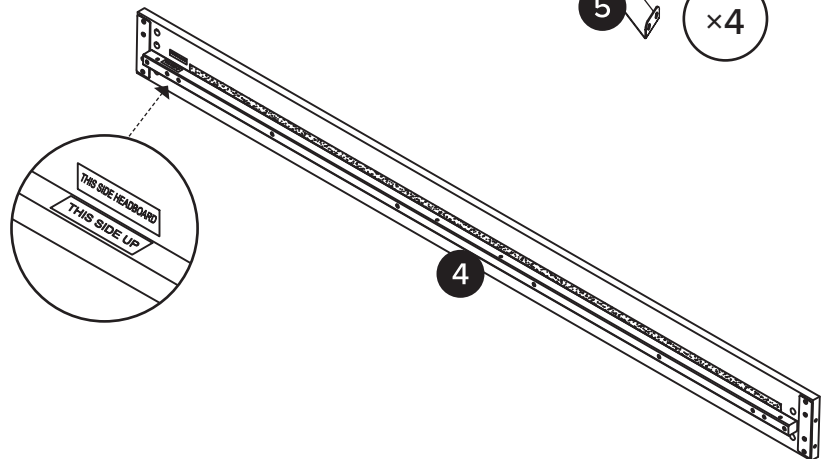
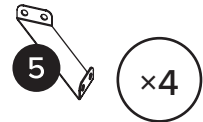
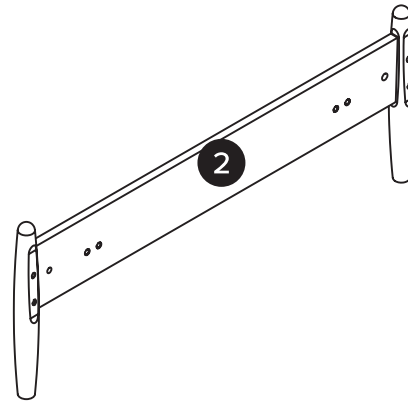
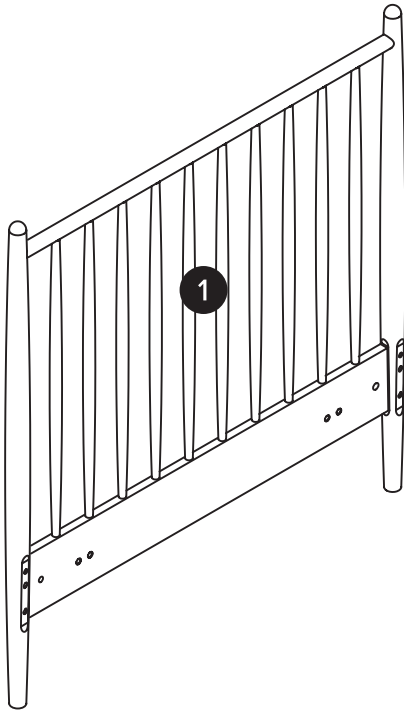


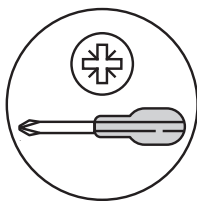
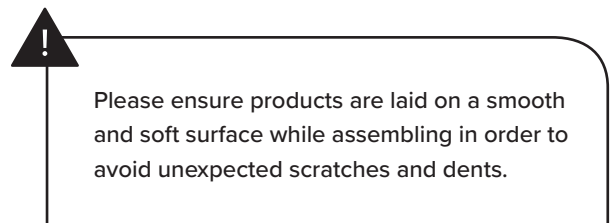
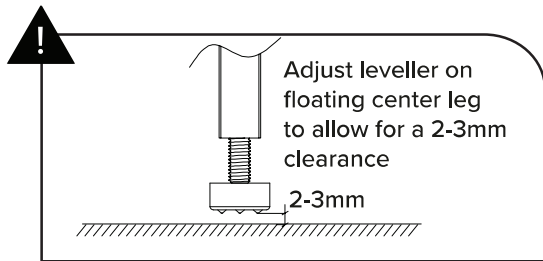
REQUIRED TOOL
Pozidriv screwdriver

! Structural integrity is warranted only if all fasteners are properly installed & tightened, and the bed is moved only per instructions.

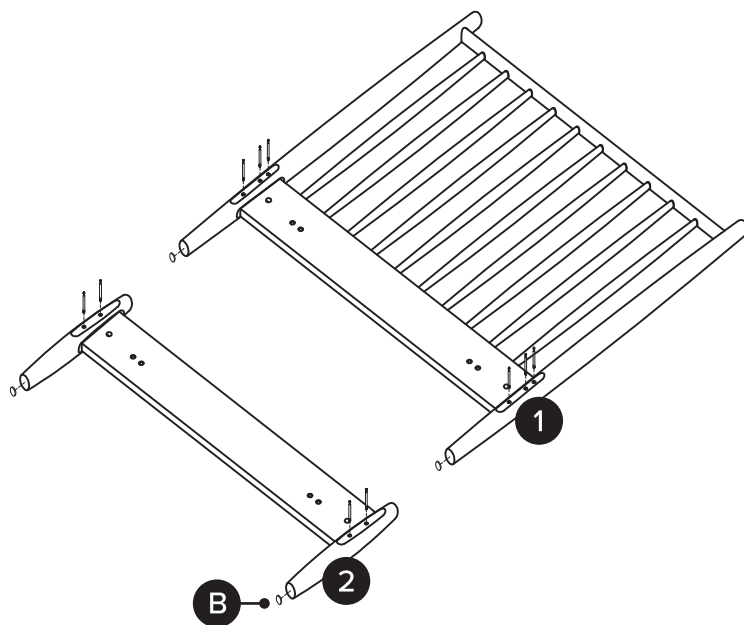
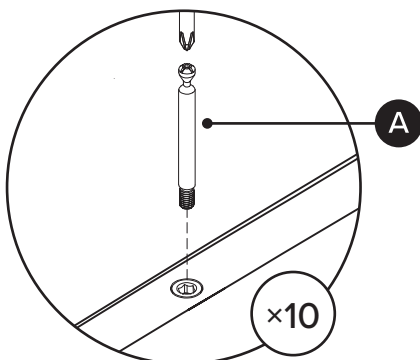
PARTS INVENTORY		
ID	DESCRIPTION	QTY
1	HEADBOARD	1
2	FOOTBOARD	1
3	LEFT SIDE RAIL	1
4	RIGHT SIDE RAIL	1
5	CORNER BRACKET	4
6	SLATS	1

PARTS INVENTORY CONT.		
ID	DESCRIPTION	QTY
A	COMPRESSION FITTING ANCHOR 	10
B	FELT STICK 	4
C	M6 x 12MM BOLT 	16
D	ALLEN KEY 	1
E	M8 x 8MM SCREWS 	10
F	PLUG 	6

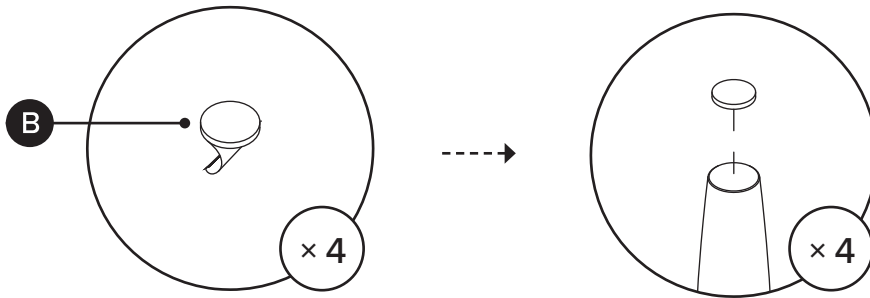




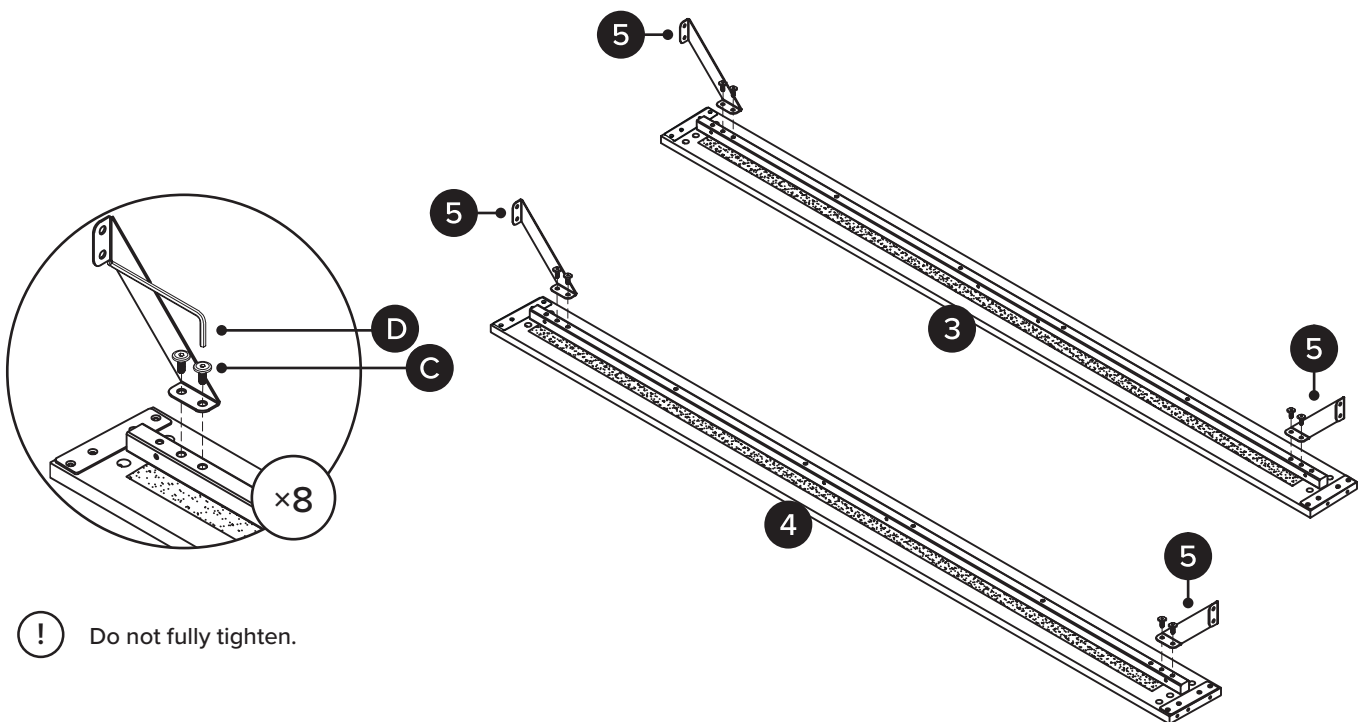
! NOT using power tool, only using the recommended hand tools.



1B

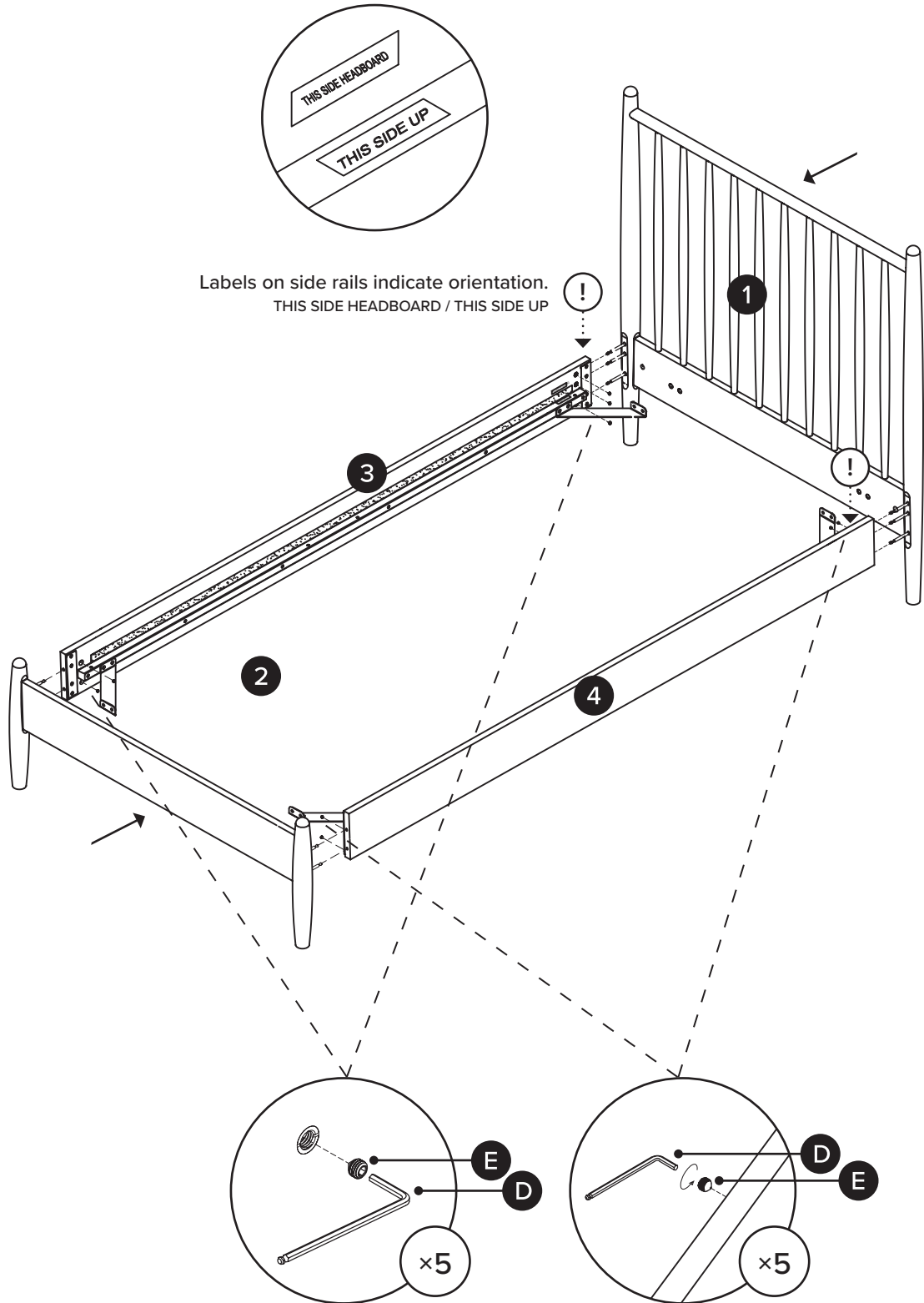


2



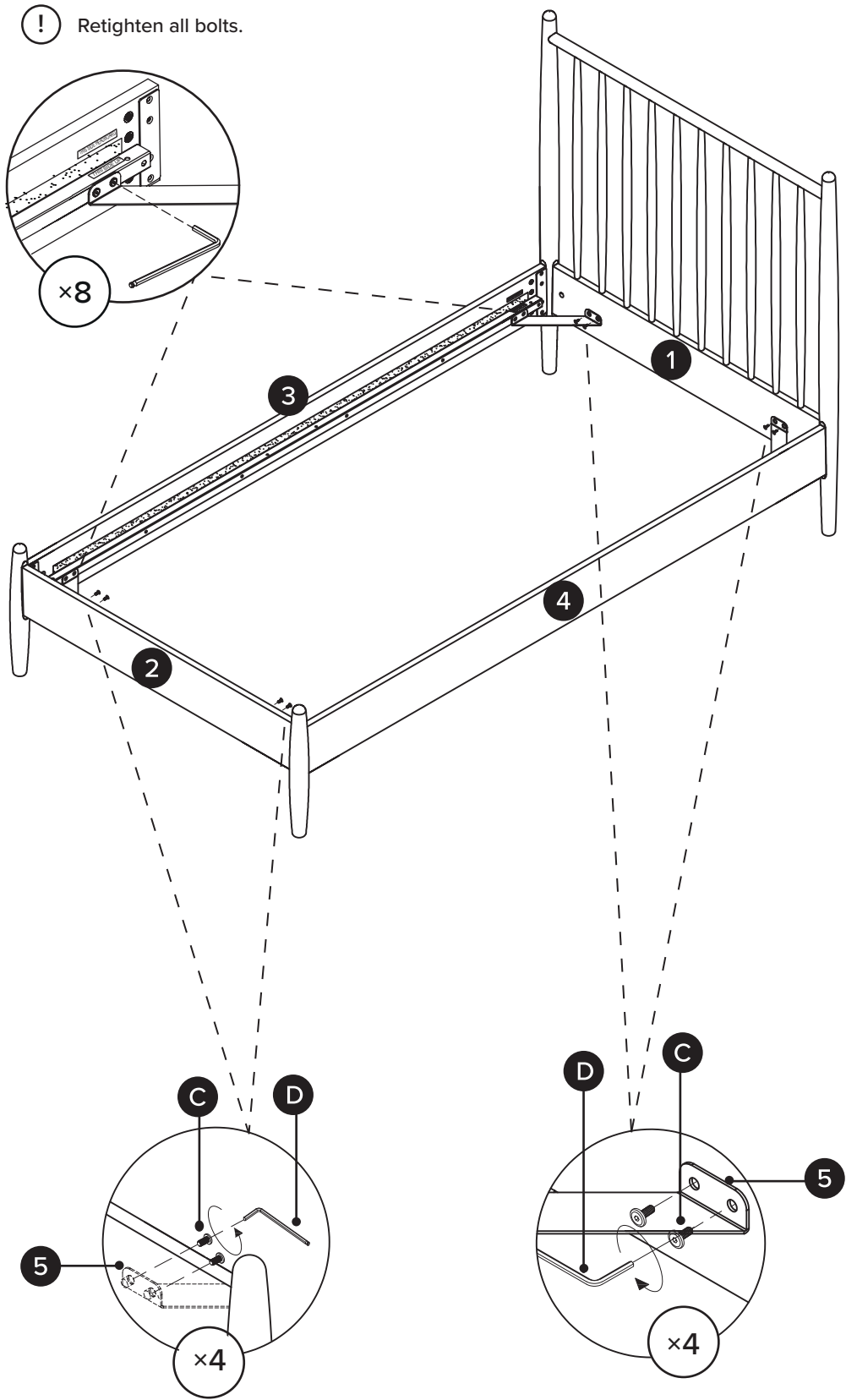
! Do not fully tighten.

3A

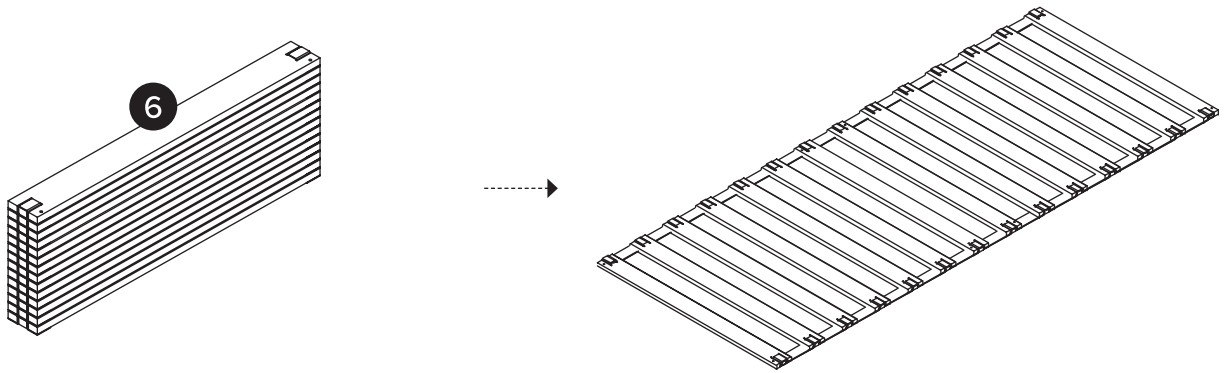


3B

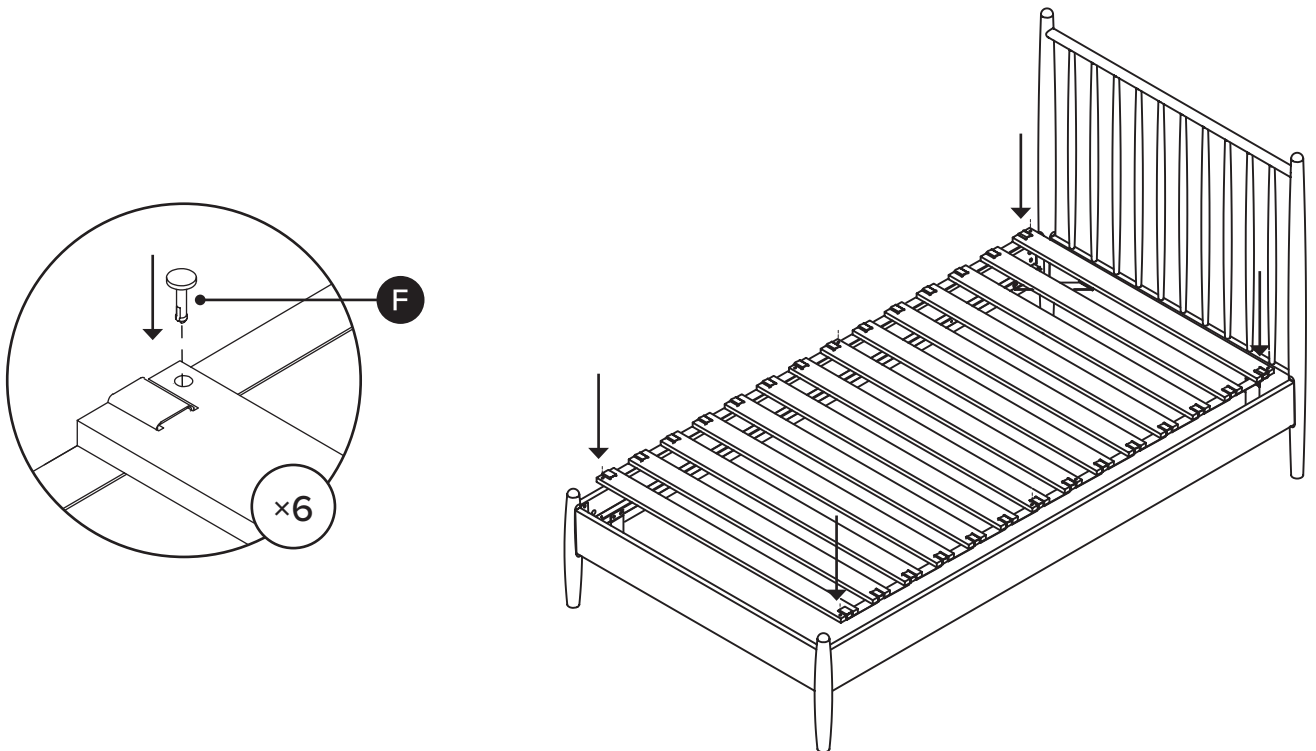
! Retighten all bolts.



6



7



8

