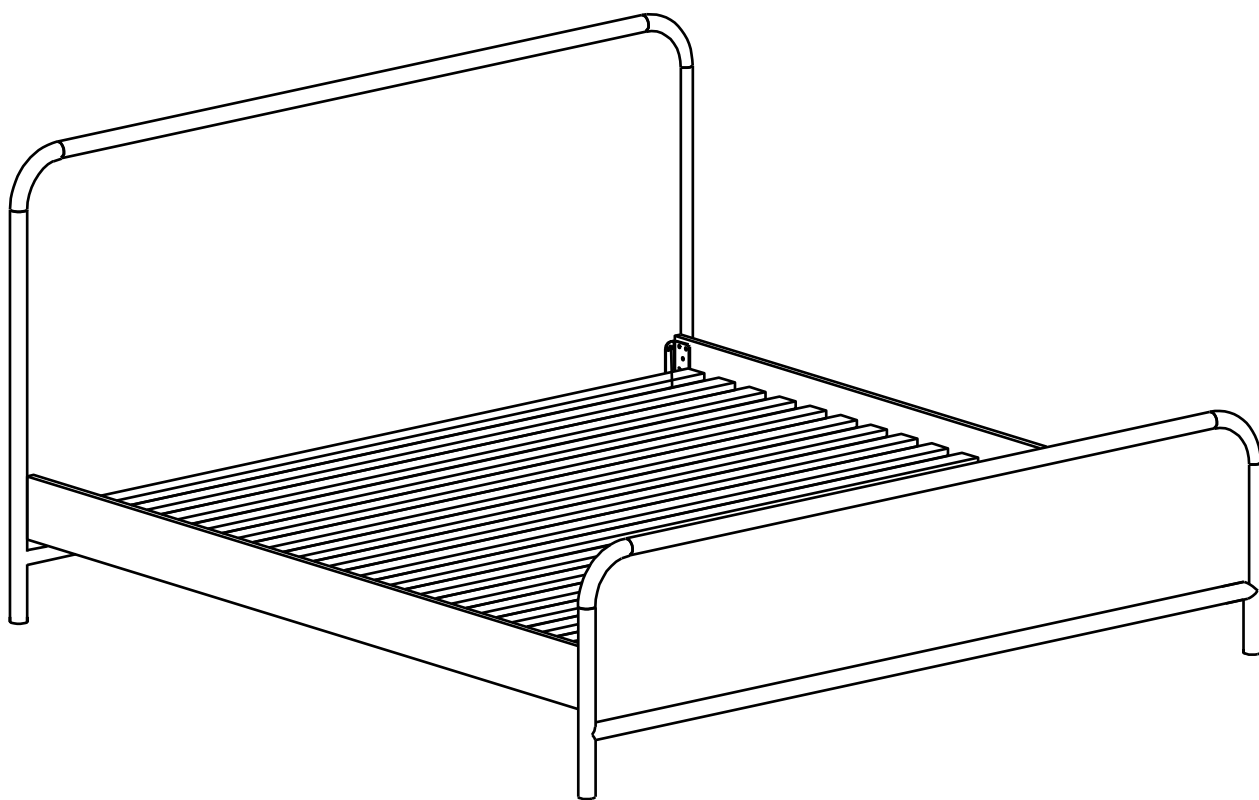


# ARTICLE.

VERSION 2.0

## Assembly Instructions



# FAYDRA

Twin Bed

## ASSEMBLY INSTRUCTIONS

Read these instructions carefully and keep for future reference. Refer to parts inventory for guidance, and ensure you have all pieces before starting.

When assembling, place all parts on a soft, clean, and flat surface such as a carpet to prevent scratches.

If you're having difficulty, our friendly Customer Care team is always here to help. Call us at 1.888.746.3455 during business hours, email [service@article.com](mailto:service@article.com) or chat live at [article.com](https://www.article.com).



TIME



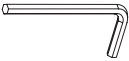







# OF PEOPLE



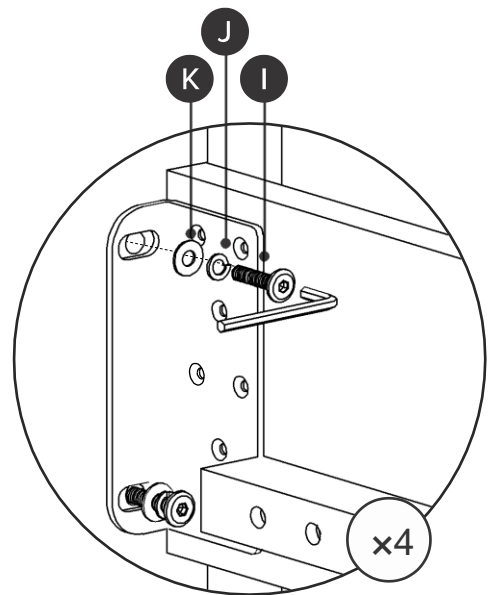
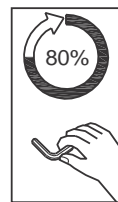
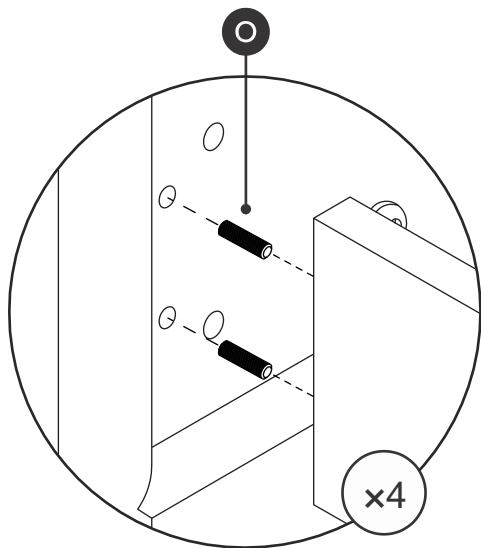
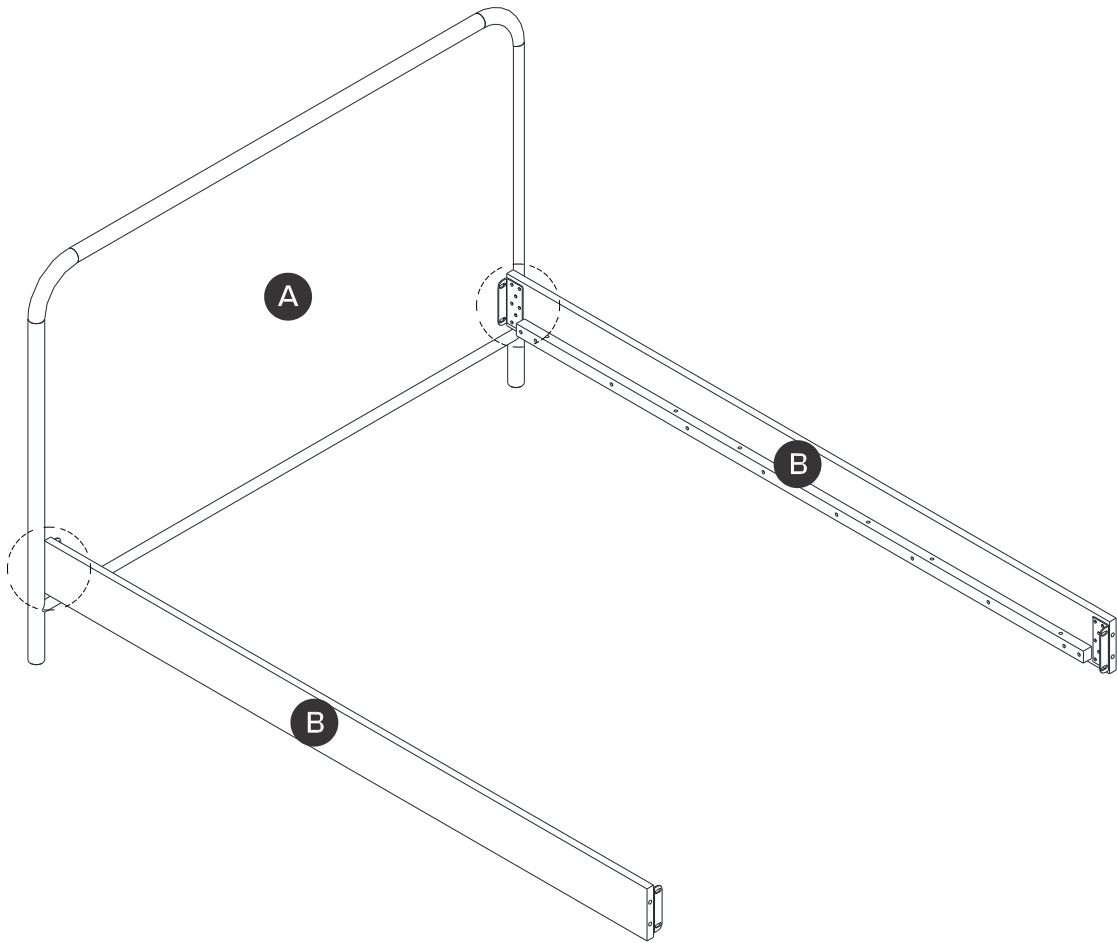
DIFFICULTY



PARTS INVENTORY		
ID	DESCRIPTION	QTY
<b>A</b>	HEADBOARD	1
<b>B</b>	SIDE FRAME	2
<b>C</b>	FOOTBOARD	1
<b>D</b>	SLATS	3

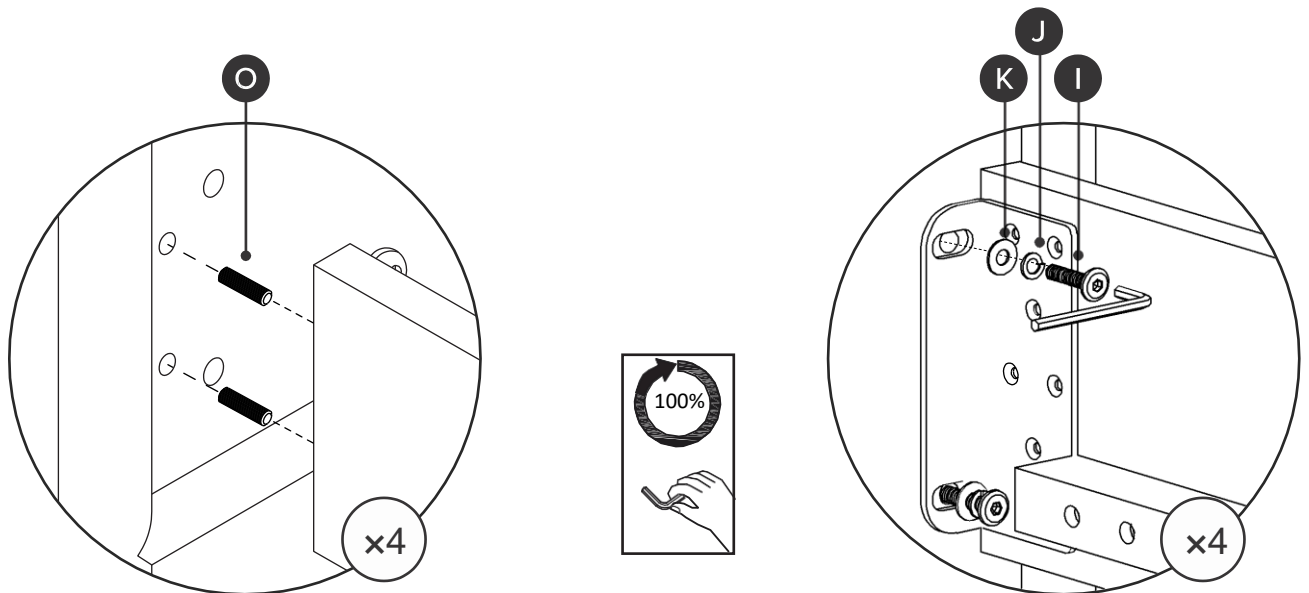
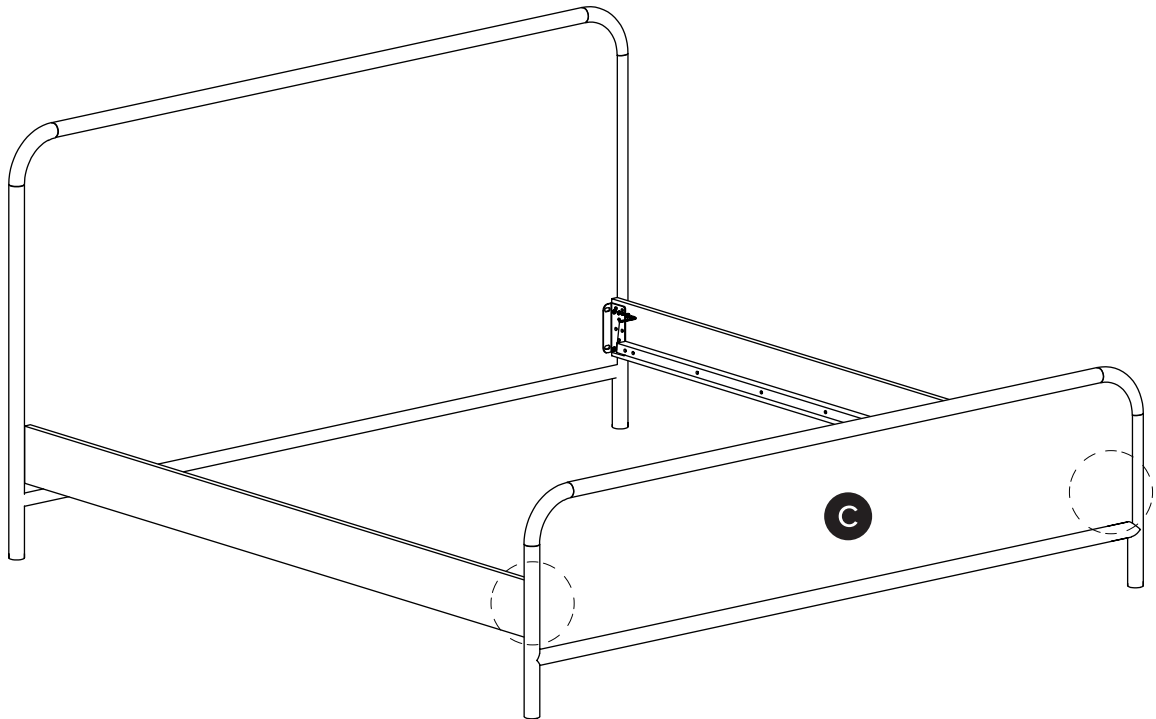
PARTS INVENTORY CONT.		
ID	DESCRIPTION	QTY
<b>G</b>	ALLEN KEY 	1
<b>I</b>	M8 x 20MM BOLT 	8
<b>J</b>	M8 LOCK WASHER 	8
<b>K</b>	M8 WASHER 	8
<b>L</b>	M6 x 35MM BOLT 	12
<b>M</b>	M6 LOCK WASHER 	12
<b>N</b>	M6 WASHER 	12
<b>O</b>	WOOD DOWEL 	8

1



! Do not fully tighten bolts.

2



! Fully tighten all bolts on each corners.

3

