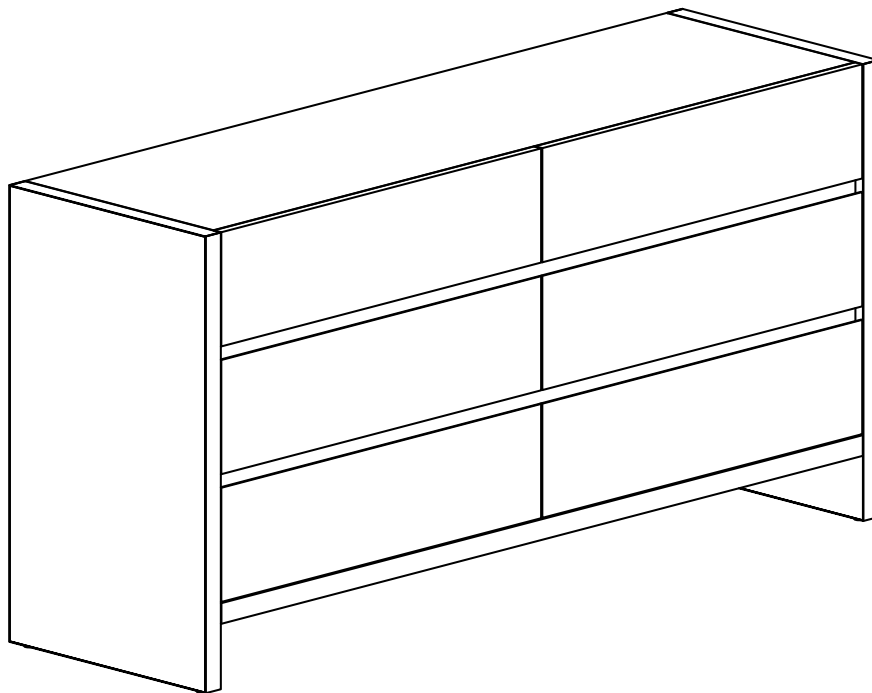


# ARTICLE.

VERSION 1.0

## Assembly Instructions



# LEIF

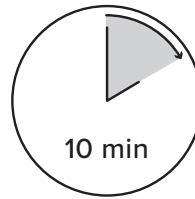
6 Drawer Double Dresser

### ASSEMBLY INSTRUCTIONS

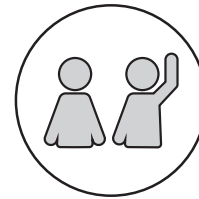
Read these instructions carefully and keep for future reference. Refer to parts inventory for guidance, and ensure you have all pieces before starting.

When assembling, place all parts on a soft, clean, and flat surface such as a carpet to prevent scratches.

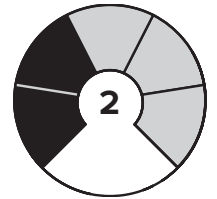
If you're having difficulty, our friendly Customer Care team is always here to help. Call us at **1.888.746.3455** during business hours, email [service@article.com](mailto:service@article.com) or chat live at [article.com](https://www.article.com).



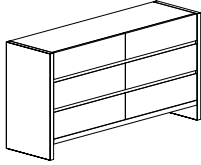
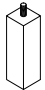
TIME



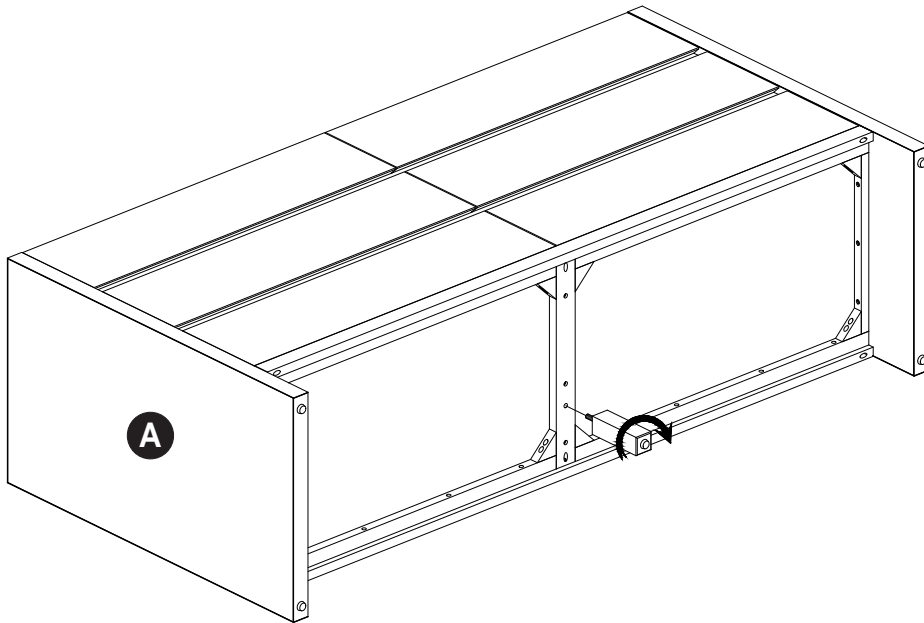
# OF PEOPLE



DIFFICULTY

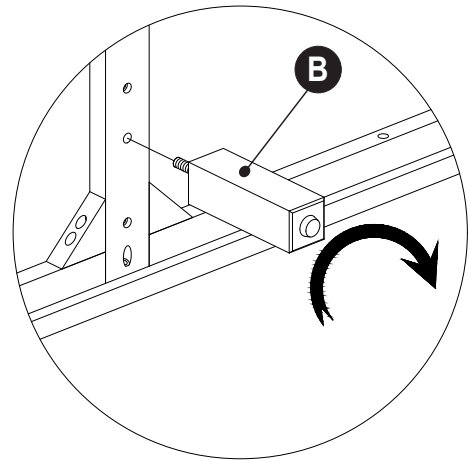
PARTS INVENTORY		
ID	DESCRIPTION	QTY
A	DRESSER 	1
B	MIDDLE LEG 	1

1

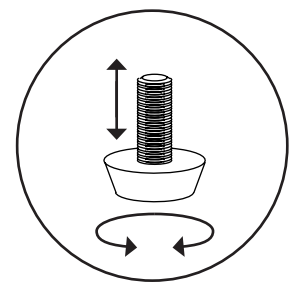
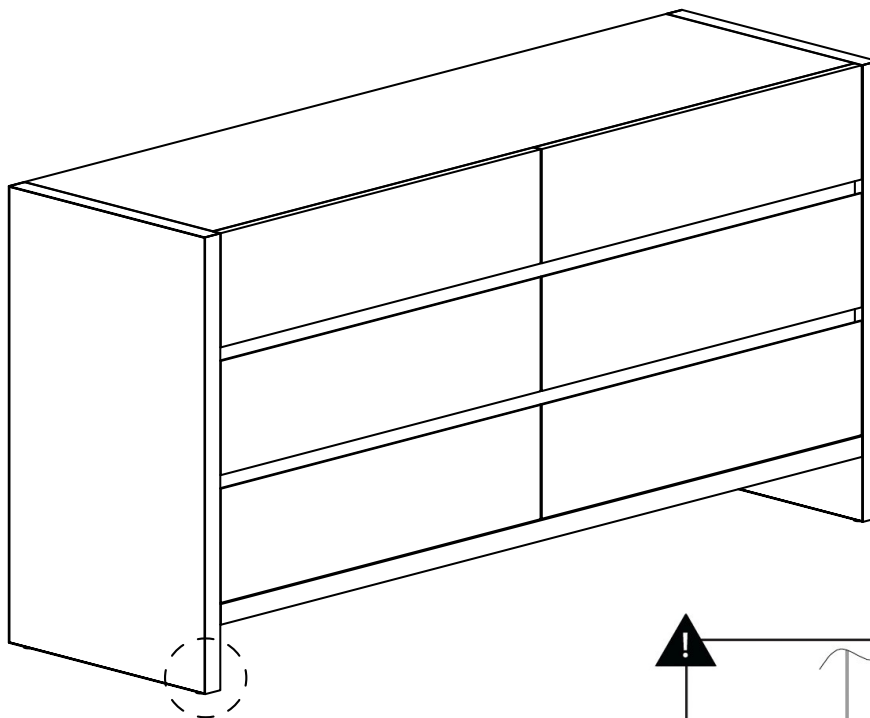


**!**  
**CAUTION!**  
Please take care when lifting, this dresser is very heavy! Do not drag when moving, must be lifted to prevent damaging the legs!

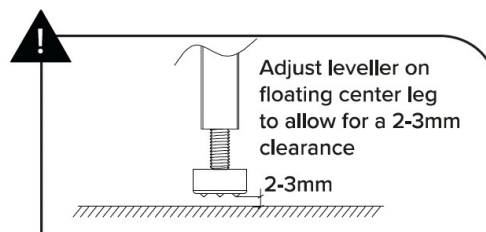
**!** Two people are needed for this step. Make sure to place dresser down on a soft protected surface.



2



**!** Adjust levelers as needed.



**!** Adjust leveller on floating center leg to allow for a 2-3mm clearance

2-3mm

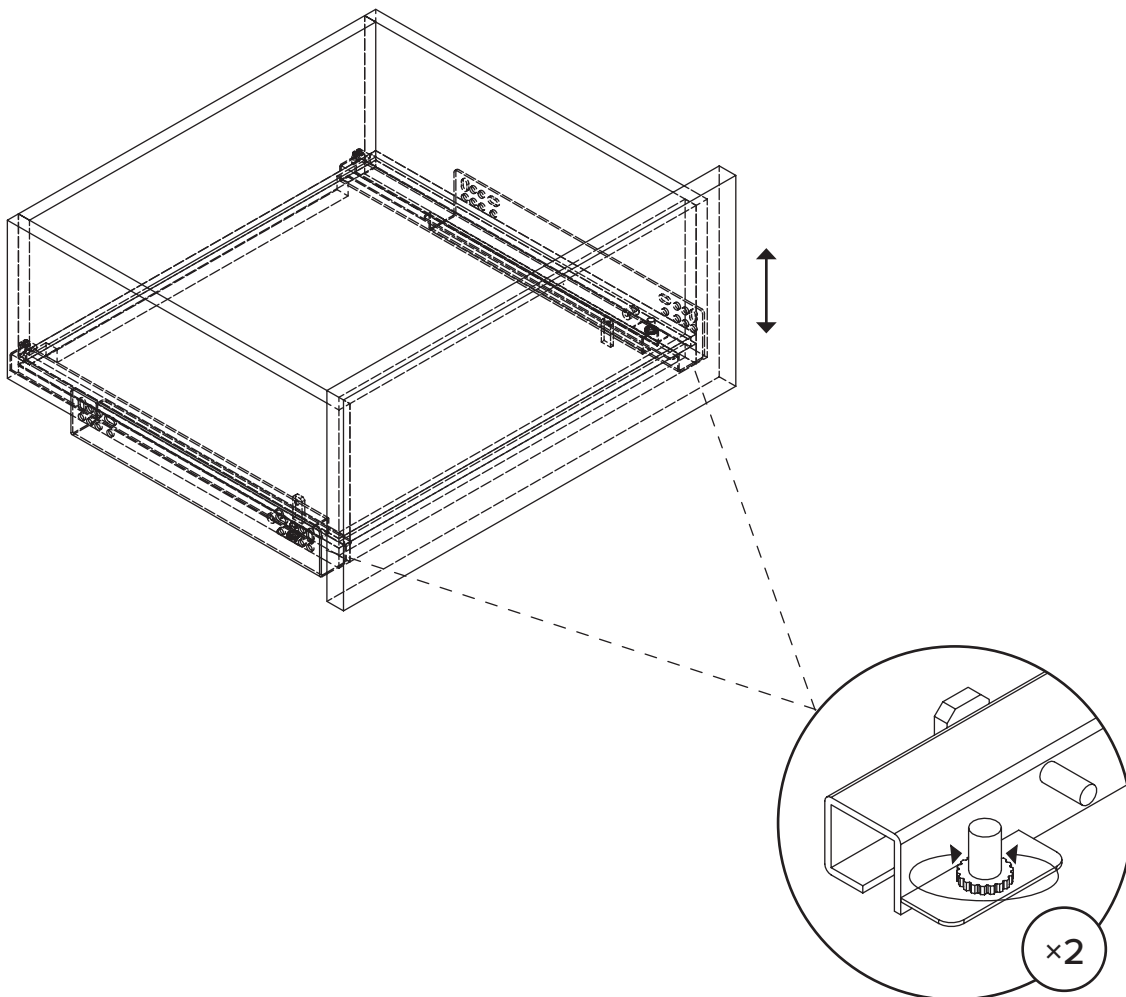
# SOFT CLOSING DRAWERS

## ADJUSTMENT INSTRUCTIONS

If you're having difficulty, our friendly Customer Care team is always here to help. Call us at **1.888.746.3455** during business hours, email [service@article.com](mailto:service@article.com) or chat live at [article.com](https://www.article.com).

### FIXED A CROOKED DRAWER

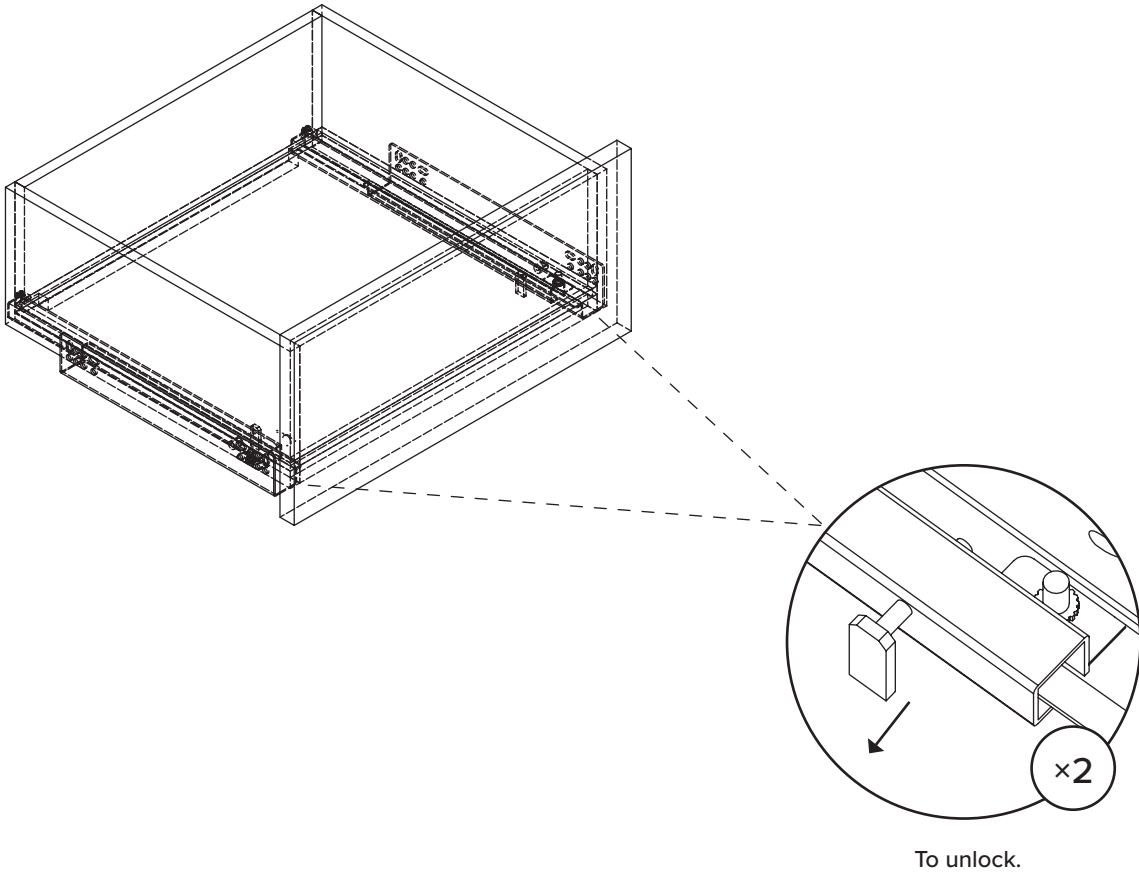
---



Adjust levelers on either side of drawer as needed to straighten drawer.

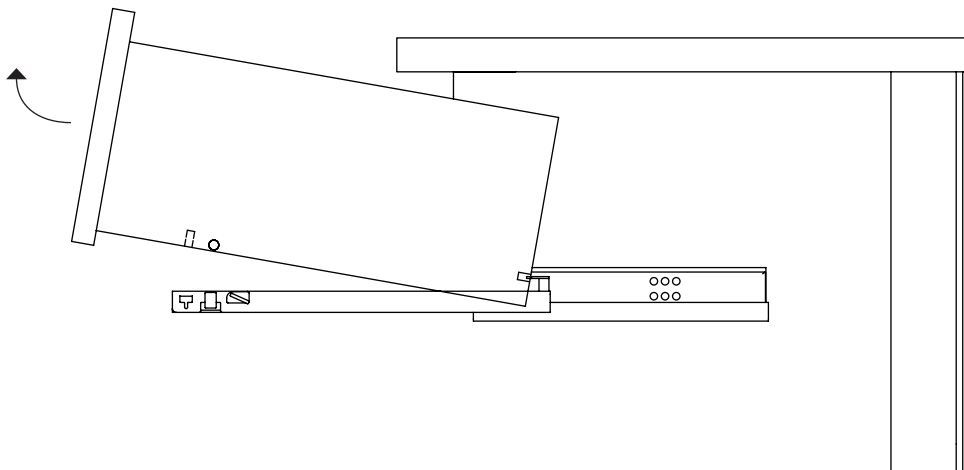
1 REMOVE DRAWER

---

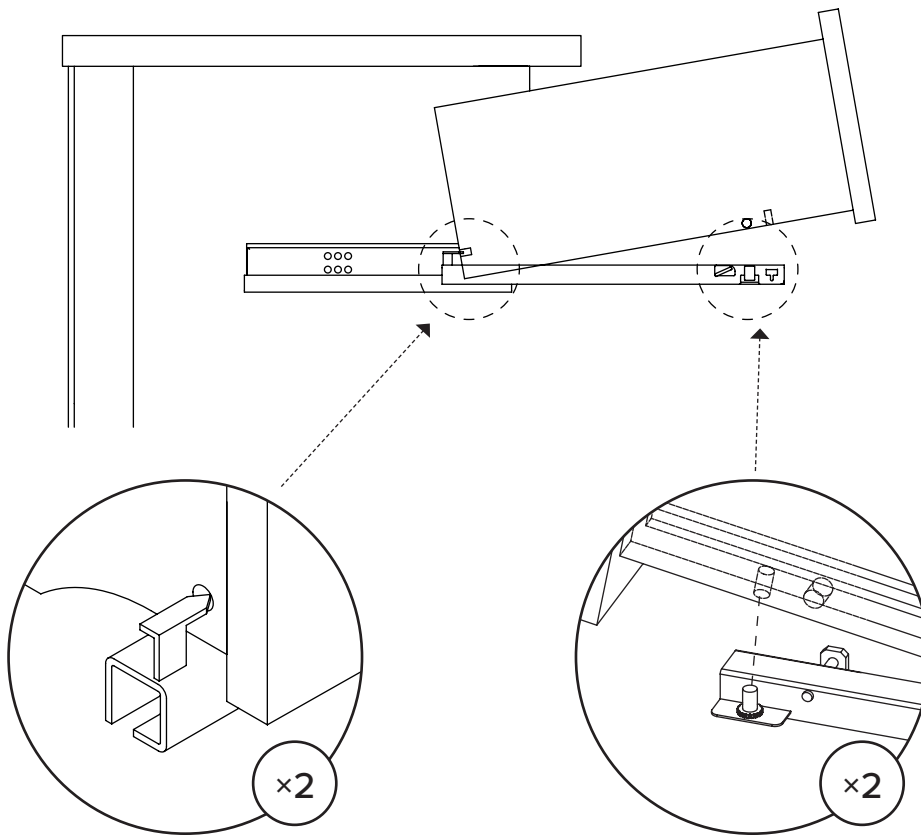


2

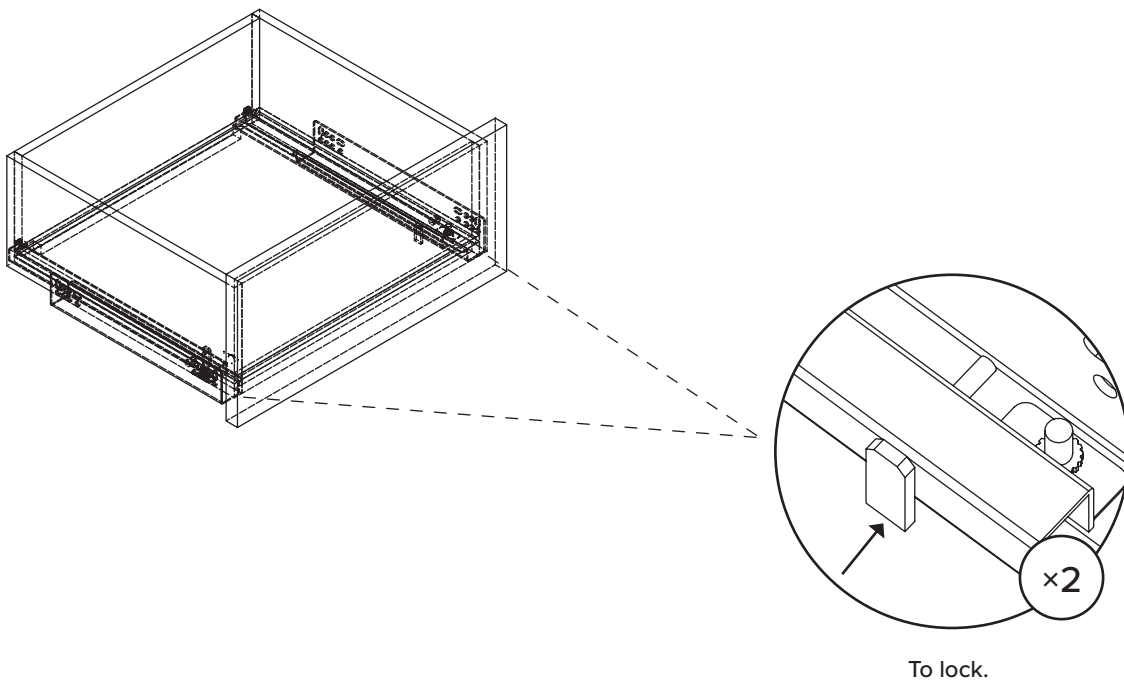
---



1 — INSTALL DRAWER



2



# ARTICLE.

1010 Raymur Ave.  
Vancouver, BC V6A 3T2



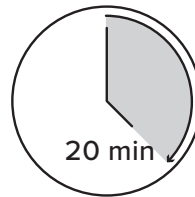
## ANTI-TIP RESTRAINT INSTALLATION

### **WARNING!**

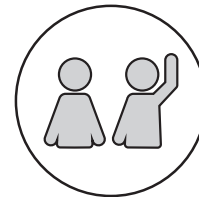
Serious or fatal crushing injuries can occur from furniture tip-over. To help prevent tip-over:

- Install tip-over restraint provided.
- Do not set heavy objects on top of this product, unless the product is specifically designed to accommodate them.
- Never allow children to climb or hang on mirrors, shelves, consoles, or cabinets with doors and/or drawers.

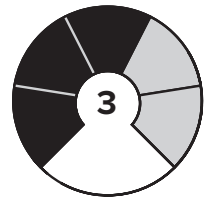
Use of tip-over restraints may only reduce but not eliminate, the risk of tip-over.



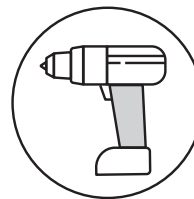
TIME



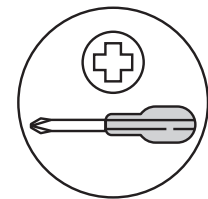
# OF PEOPLE




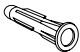



DIFFICULTY



REQUIRED TOOL  
8MM / 5/16" DRILL BIT



REQUIRED TOOL

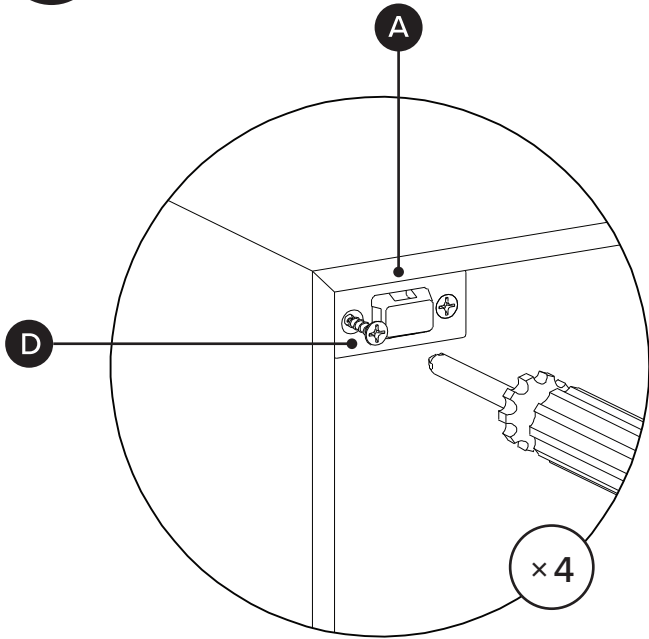
PARTS INVENTORY		
ID	DESCRIPTION	QTY
<b>A</b>	BRACKET 	4
<b>B</b>	M8 × 51MM PLUG 	4
<b>C</b>	M6 × 70MM SCREW 	4
<b>D</b>	M4 × 20MM SCREW 	4
<b>E</b>	STRAP 	2



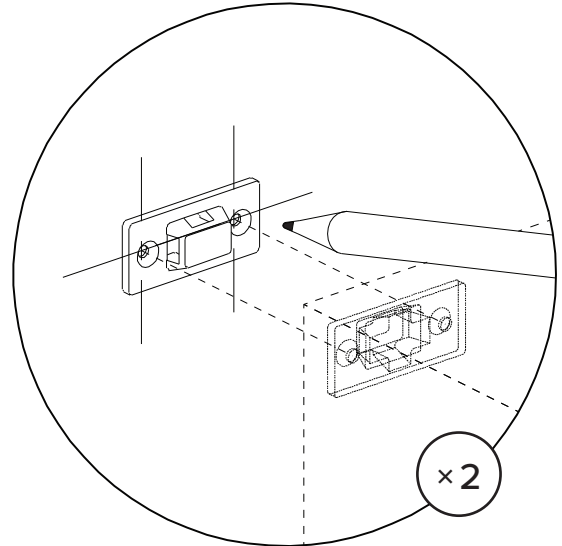
Hardware (B/C) to attach brackets to wall is designed for drywall. To attach this unit to another type of wall, consult with your local hardware store.

1

2

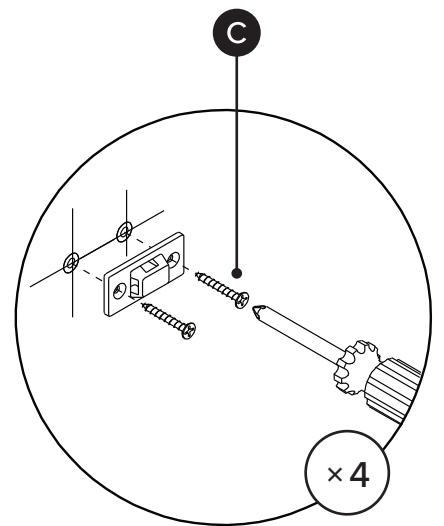
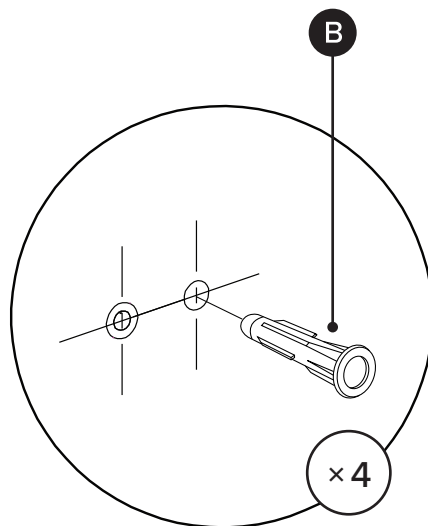
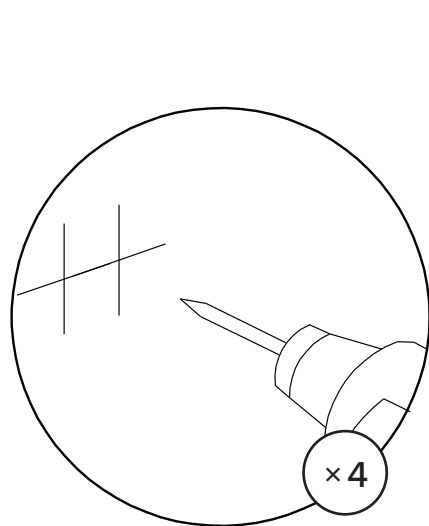


Attach pair of brackets to top corners of the back of the unit.



Mark on wall where second pair of brackets should be placed.

3

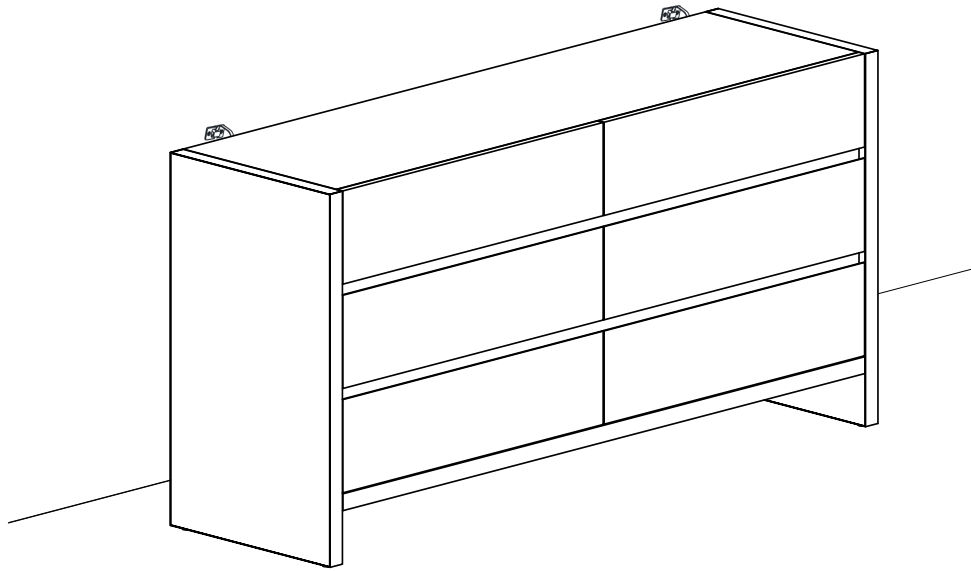


Drill holes in wall using 8mm / 5/16" drill bit.

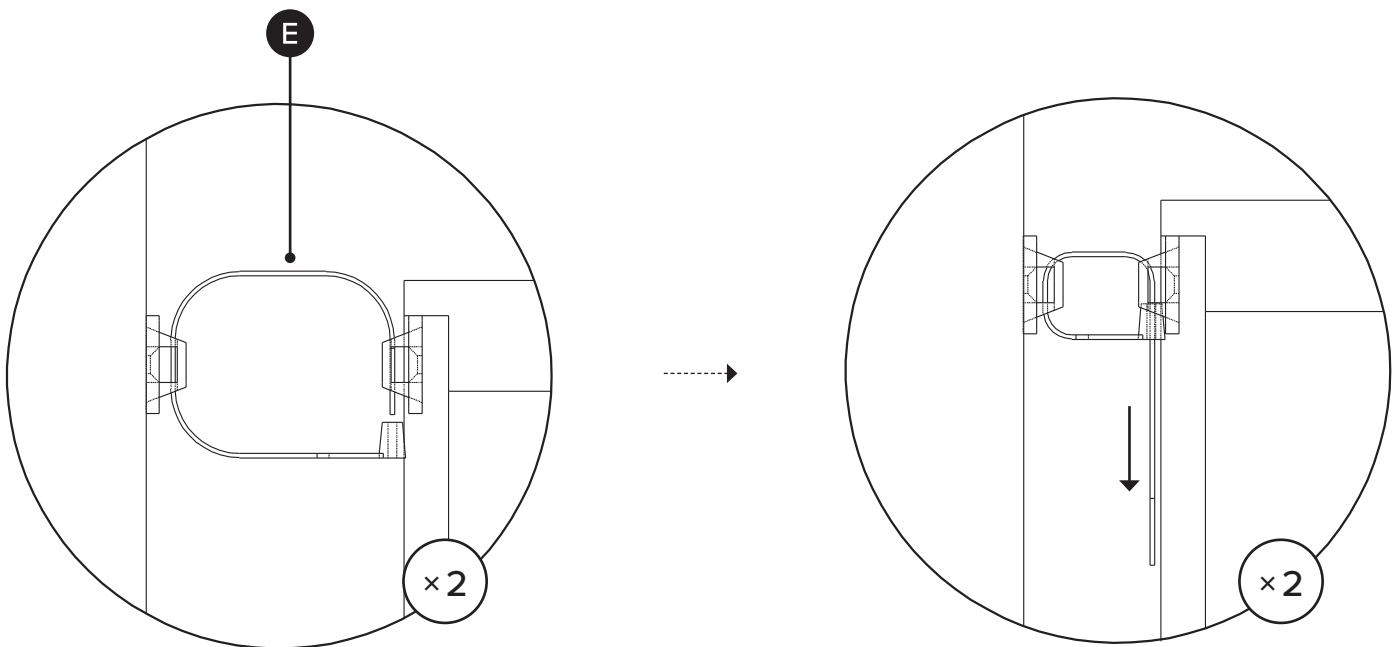


4A

Align brackets on unit with brackets on wall.



4B



Pull strap down until it snap-locks.