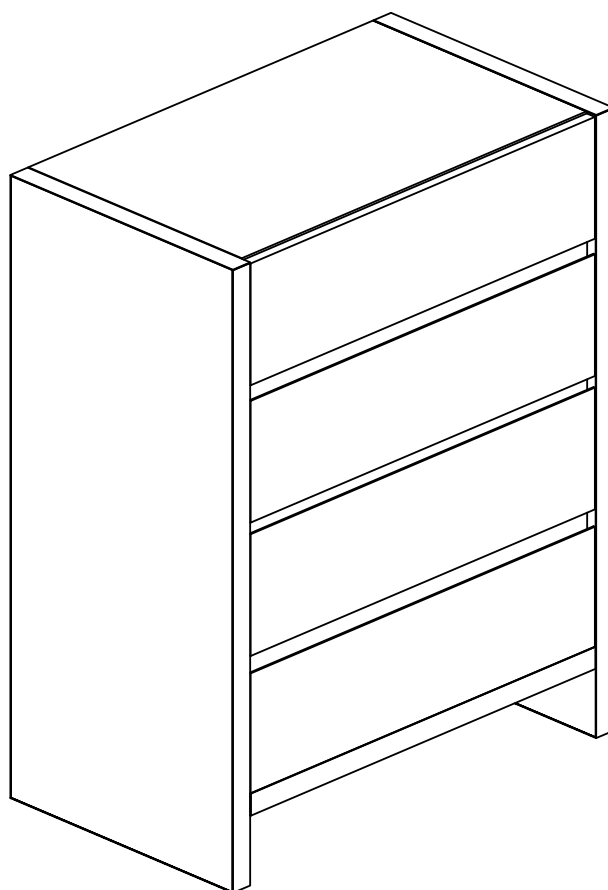


ARTICLE.

VERSION 1.0

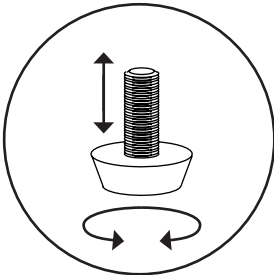
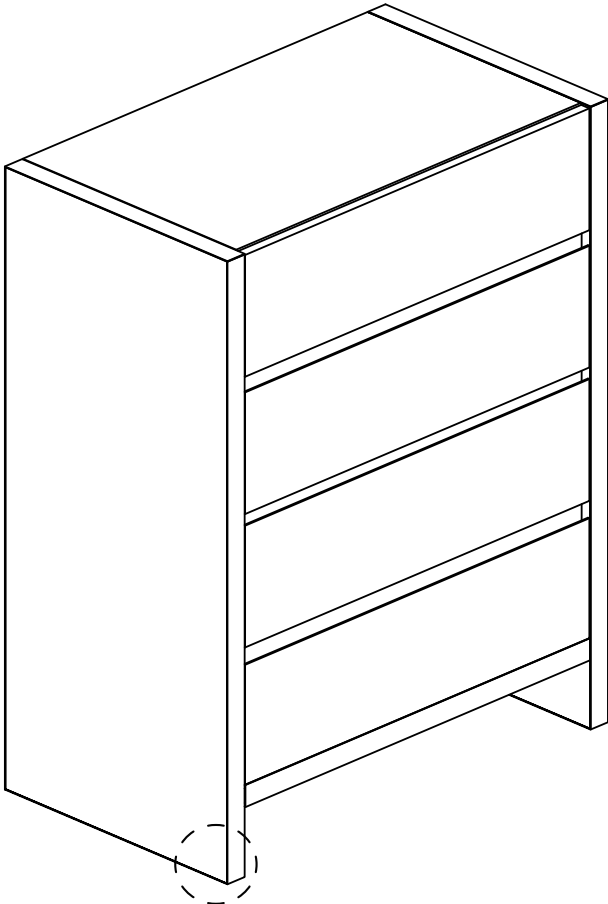
Assembly Instructions



LEIF

4 Drawer Dresser

1



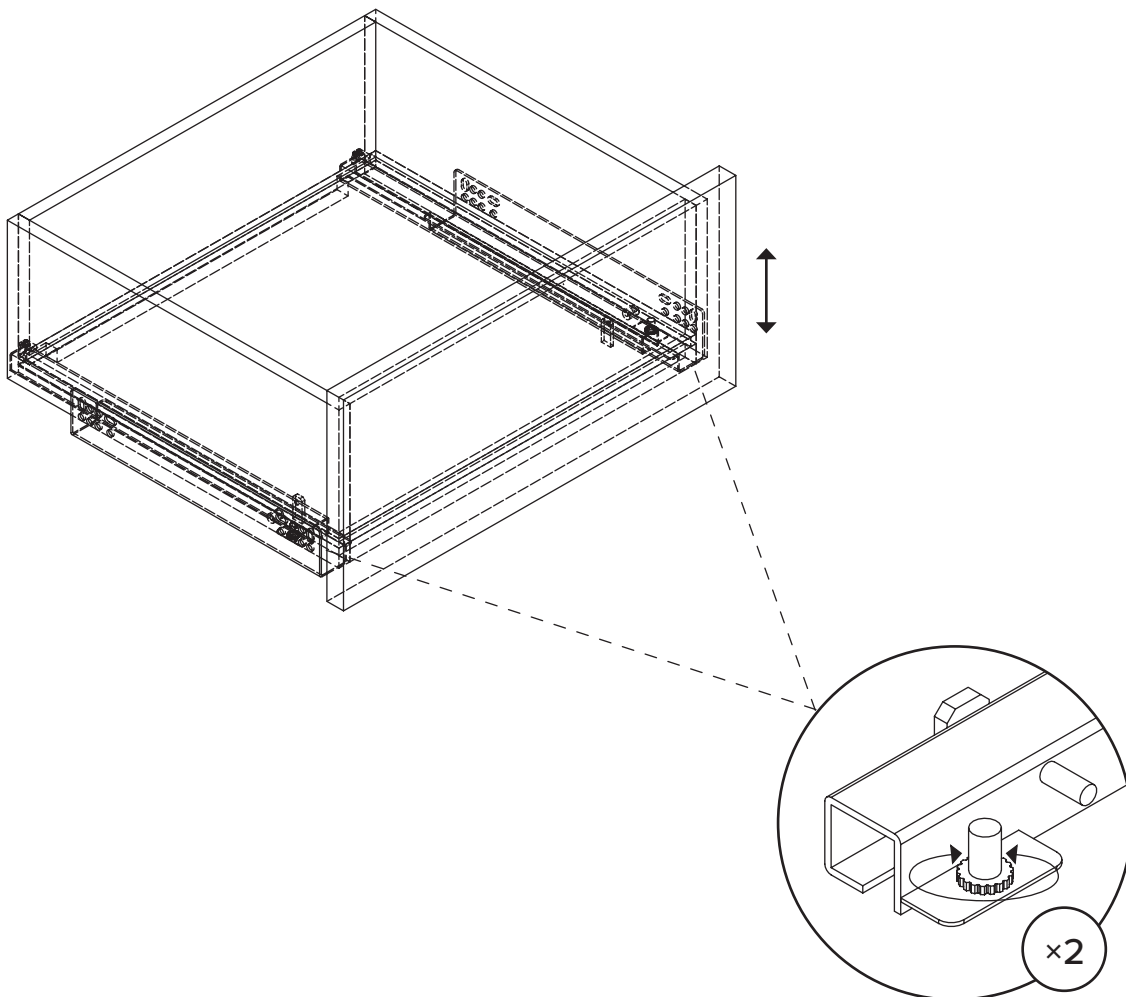
! Adjust levelers as needed.

SOFT CLOSING DRAWERS

ADJUSTMENT INSTRUCTIONS

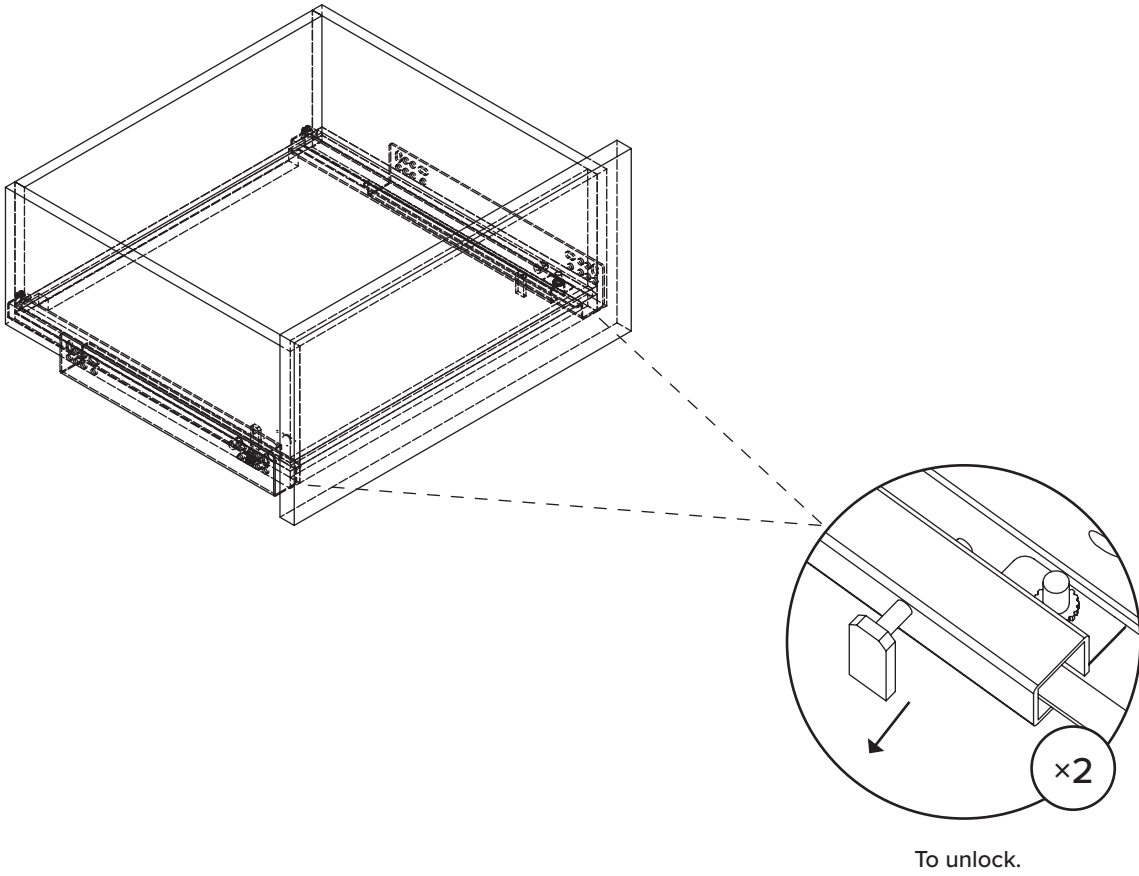
If you're having difficulty, our friendly Customer Care team is always here to help. Call us at **1.888.746.3455** during business hours, email service@article.com or chat live at [article.com](https://www.article.com).

FIXED A CROOKED DRAWER

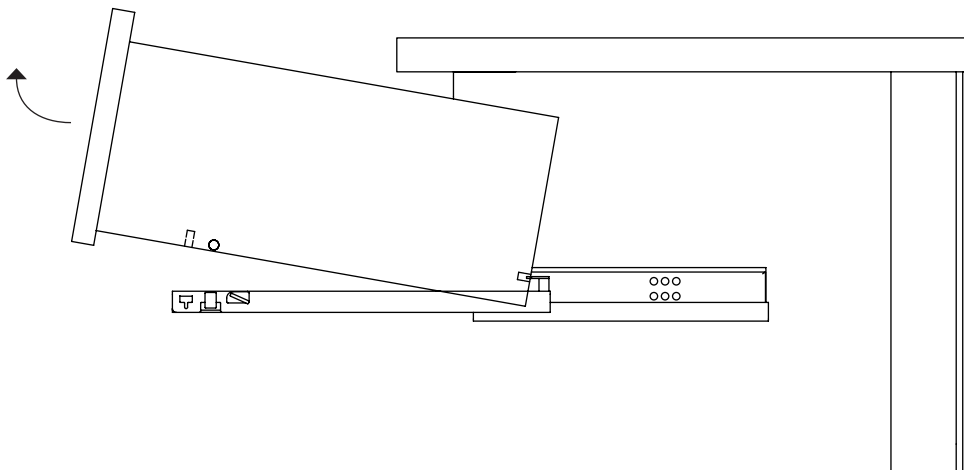


⚠ Adjust levelers on either side of drawer as needed to straighten drawer.

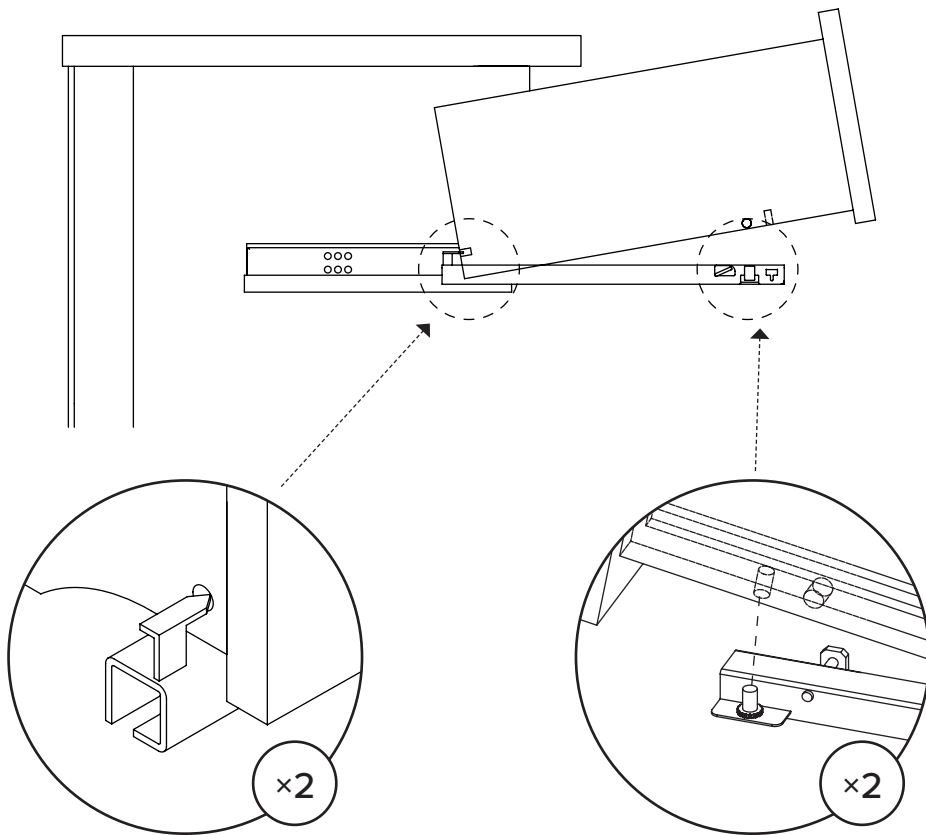
1 REMOVE DRAWER



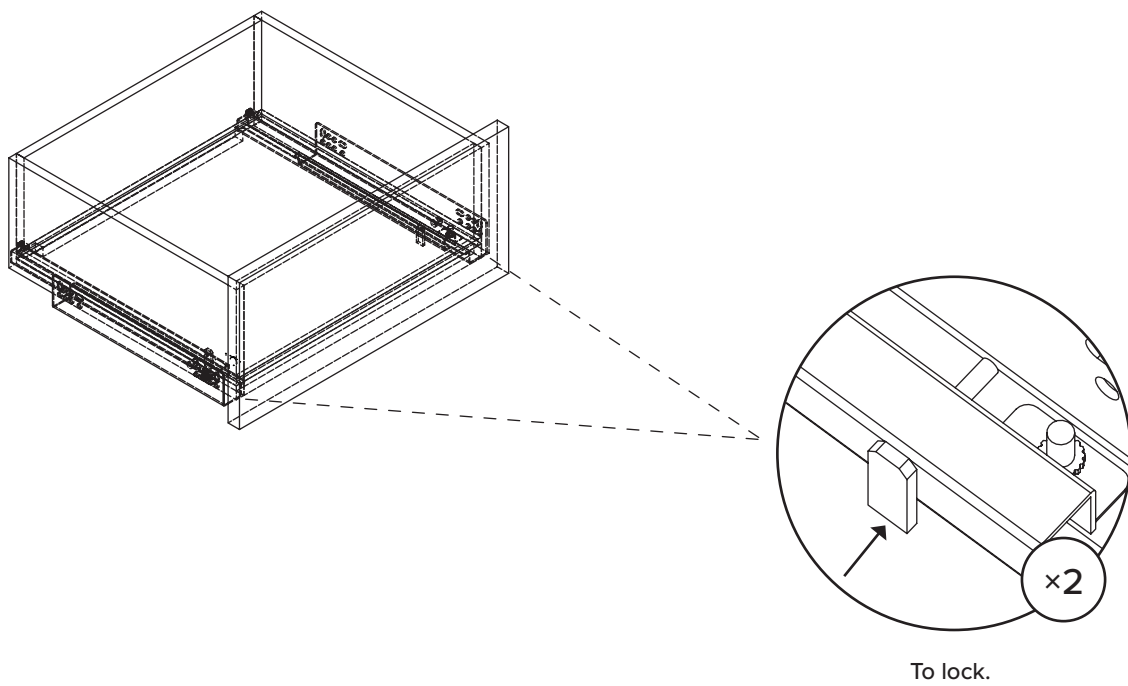
2



1 — INSTALL DRAWER



2



ARTICLE.

1010 Raymur Ave.
Vancouver, BC V6A 3T2



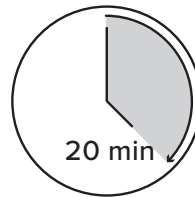
ANTI-TIP RESTRAINT INSTALLATION

WARNING!

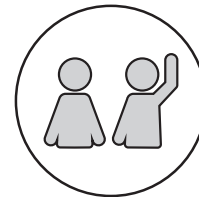
Serious or fatal crushing injuries can occur from furniture tip-over. To help prevent tip-over:

- Install tip-over restraint provided.
- Do not set heavy objects on top of this product, unless the product is specifically designed to accommodate them.
- Never allow children to climb or hang on mirrors, shelves, consoles, or cabinets with doors and/or drawers.

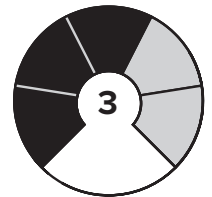
Use of tip-over restraints may only reduce but not eliminate, the risk of tip-over.



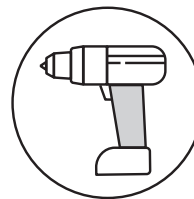
TIME



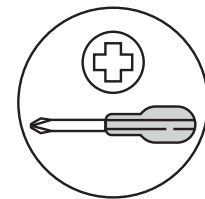
OF PEOPLE



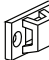
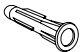



DIFFICULTY



REQUIRED TOOL
8MM / 5/16" DRILL BIT



REQUIRED TOOL

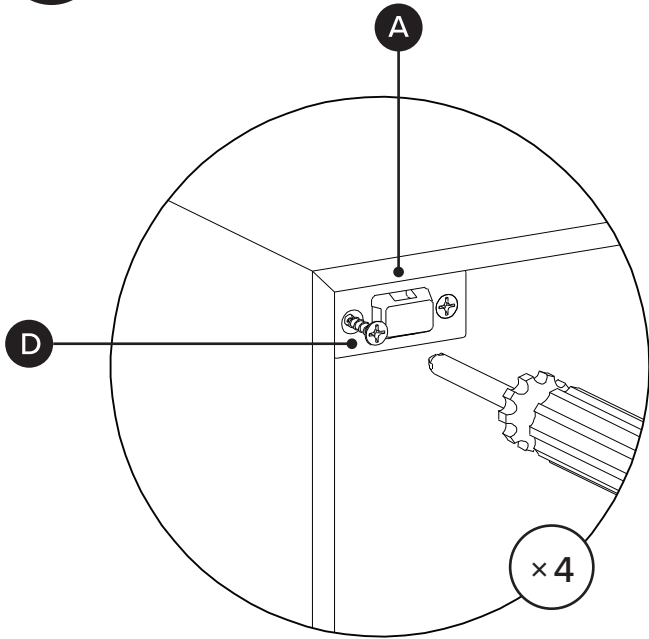
PARTS INVENTORY		
ID	DESCRIPTION	QTY
A	BRACKET 	4
B	M8 × 51MM PLUG 	4
C	M6 × 70MM SCREW 	4
D	M4 × 20MM SCREW 	4
E	STRAP 	2



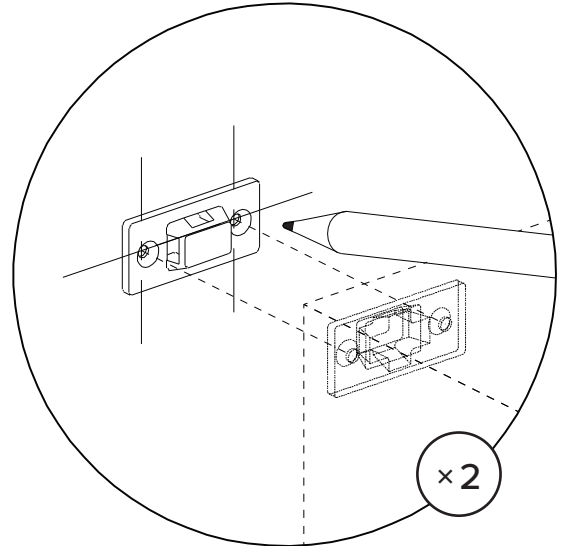
Hardware (B/C) to attach brackets to wall is designed for drywall. To attach this unit to another type of wall, consult with your local hardware store.

1

2

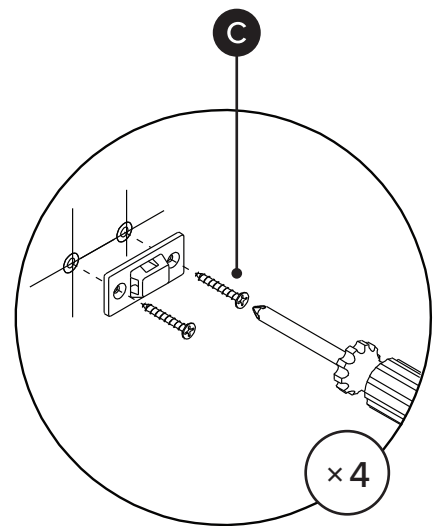
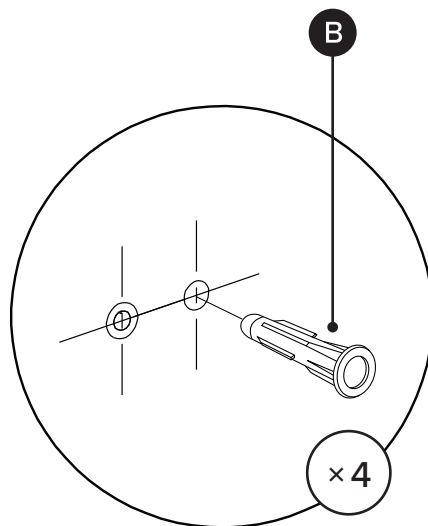
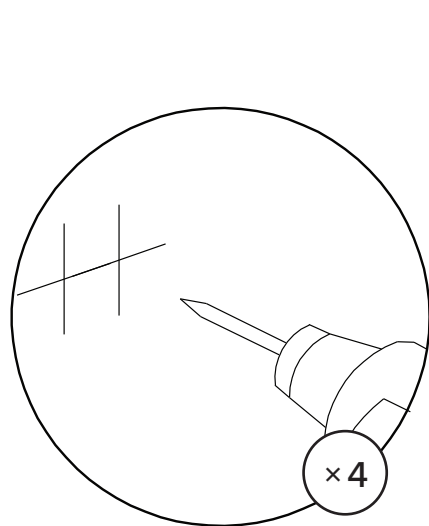


Attach pair of brackets to top corners of the back of the unit.



Mark on wall where second pair of brackets should be placed.

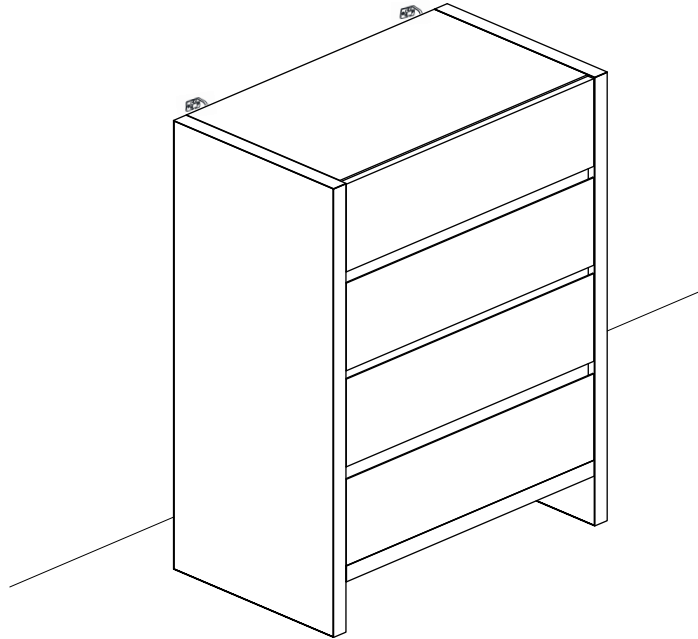
3



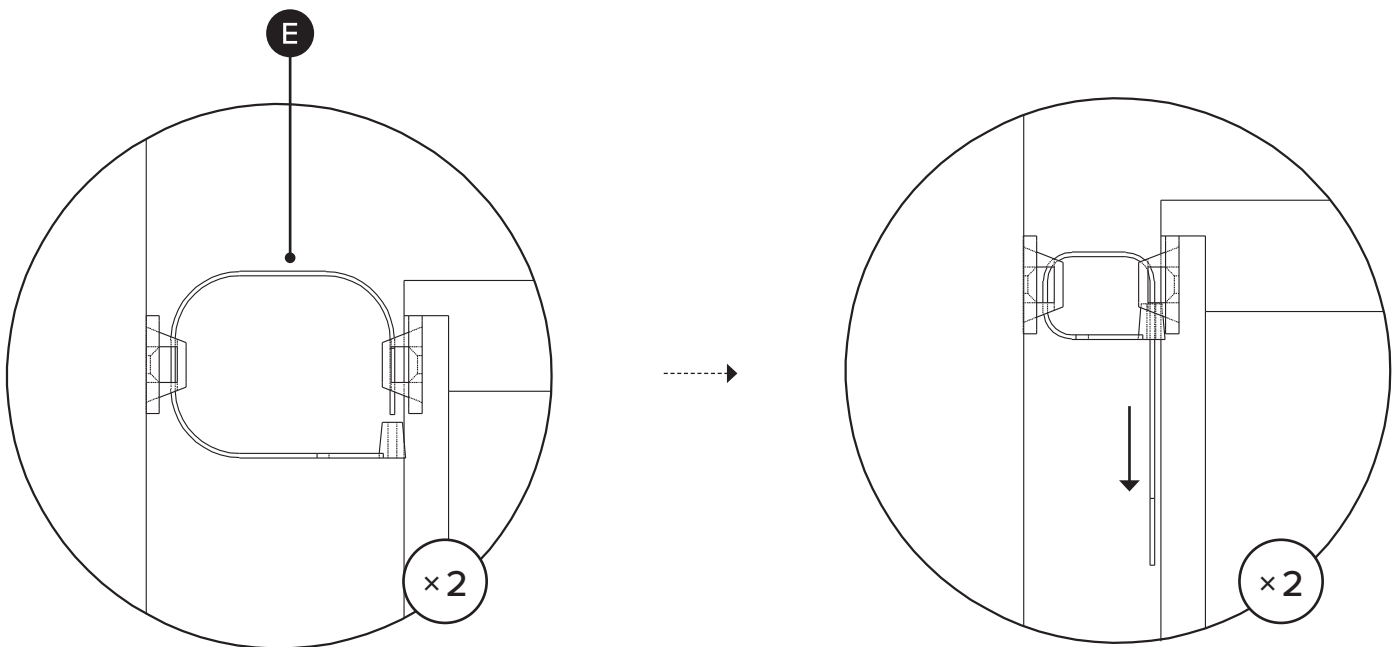
Drill holes in wall using 8mm / 5/16" drill bit.

4A

Align brackets on unit with brackets on wall.



4B



Pull strap down until it snap-locks.