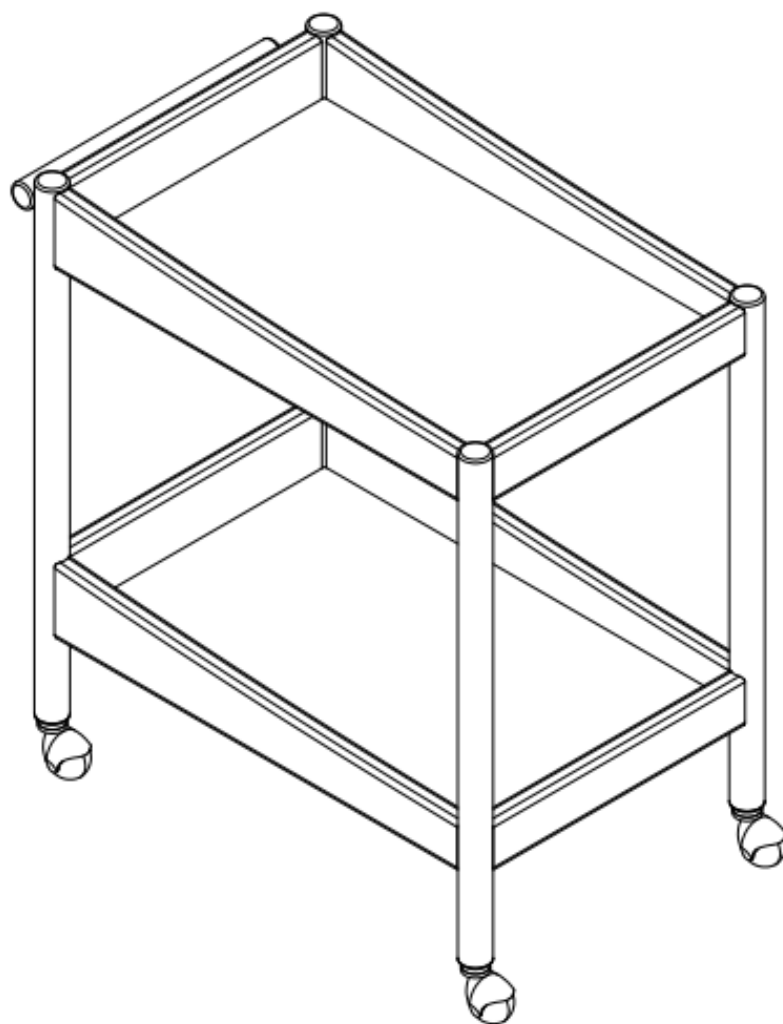


ARTICLE.

VERSION 1.0

Assembly Instructions



COTU

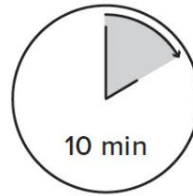
Bar Cart

ASSEMBLY INSTRUCTIONS

Read these instructions carefully and keep for future reference. Refer to parts inventory for guidance, and ensure you have all pieces before starting.

When assembling, place all parts on a soft, clean, and flat surface such as a carpet to prevent scratches.

If you're having difficulty, our friendly Customer Care team is always here to help. Call us at **1.888.746.3455** during business hours, email **service@article.com** or chat live at **article.com**.



10 min

TIME

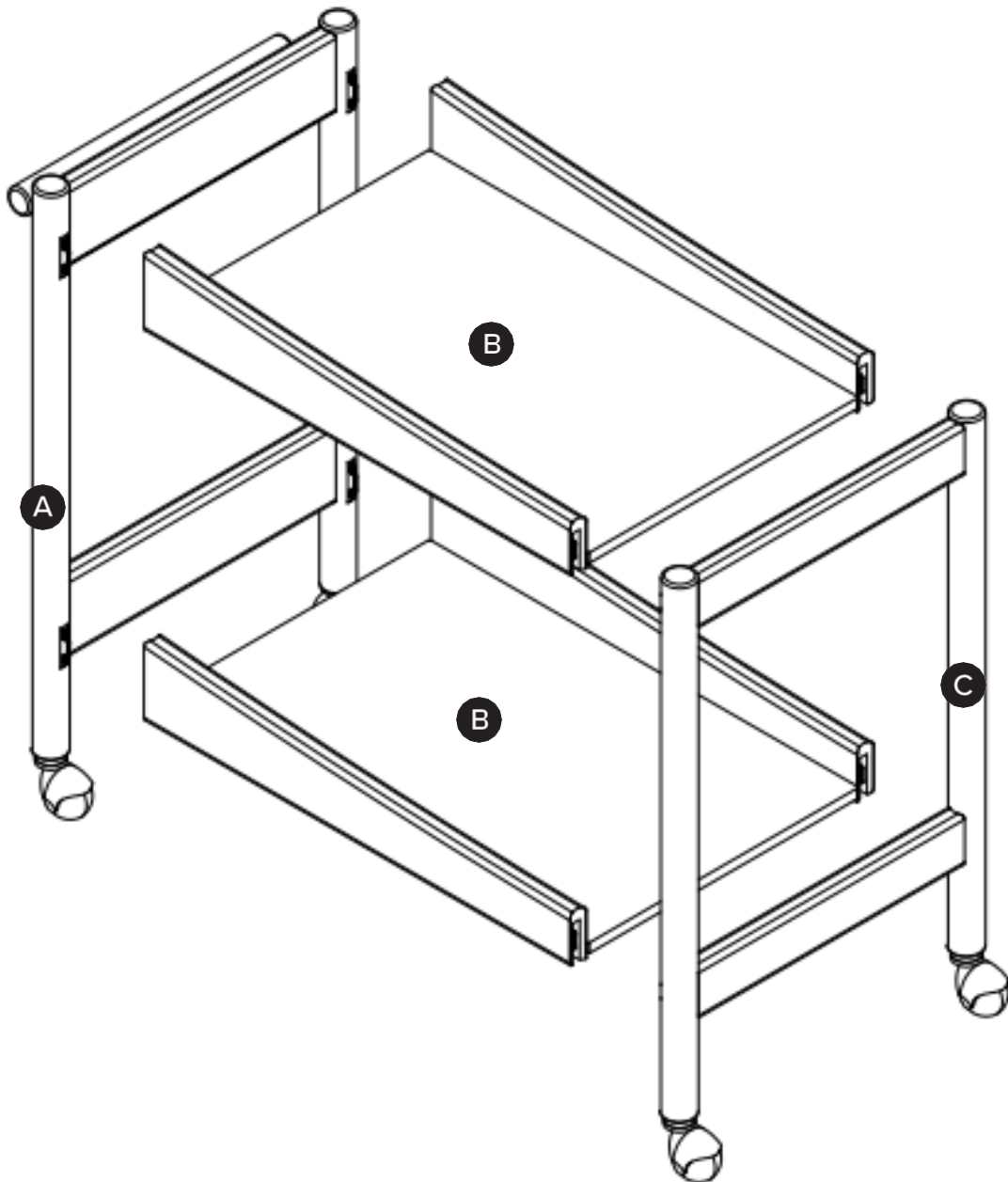


OF PEOPLE

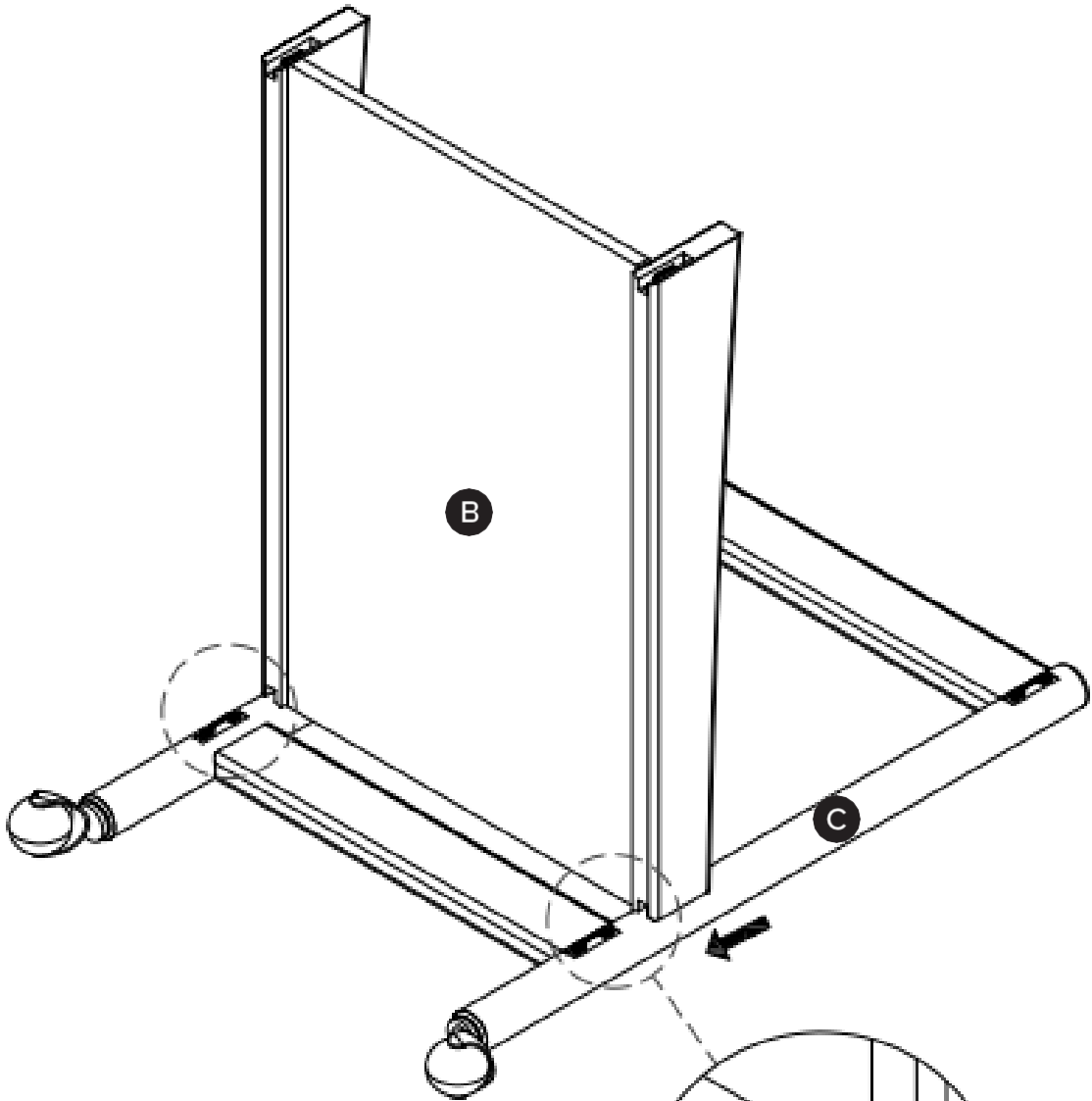


DIFFICULTY

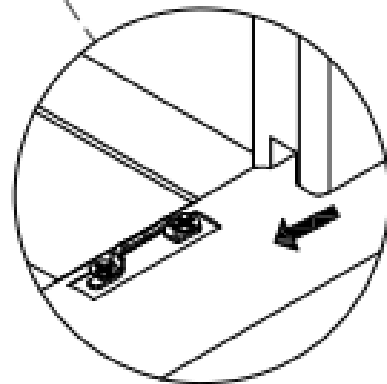
PARTS INVENTORY		
ID	DESCRIPTION	QTY
A	LEFT LEG	1
B	SHELF	2
C	RIGHT LEG	1



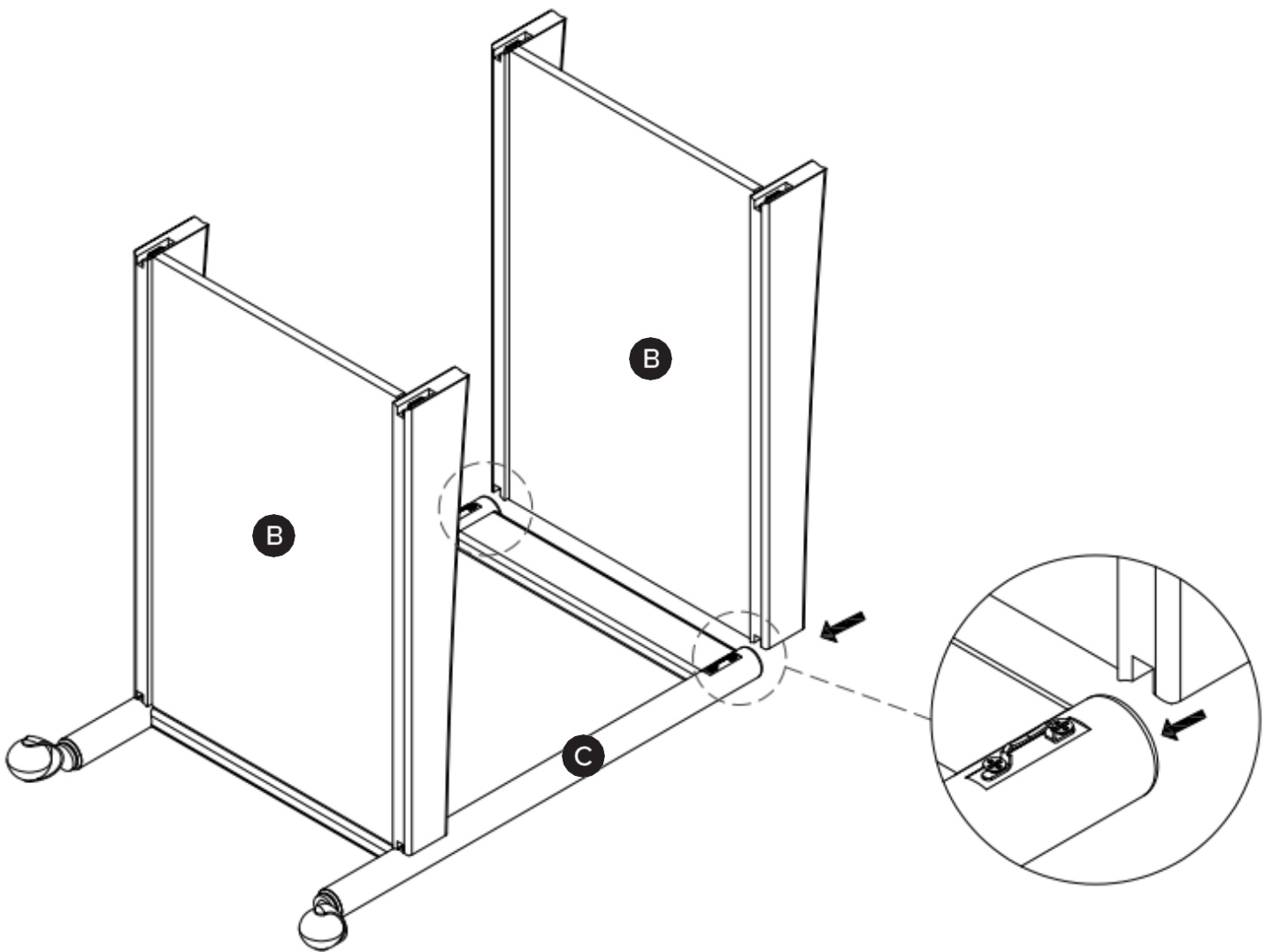
1



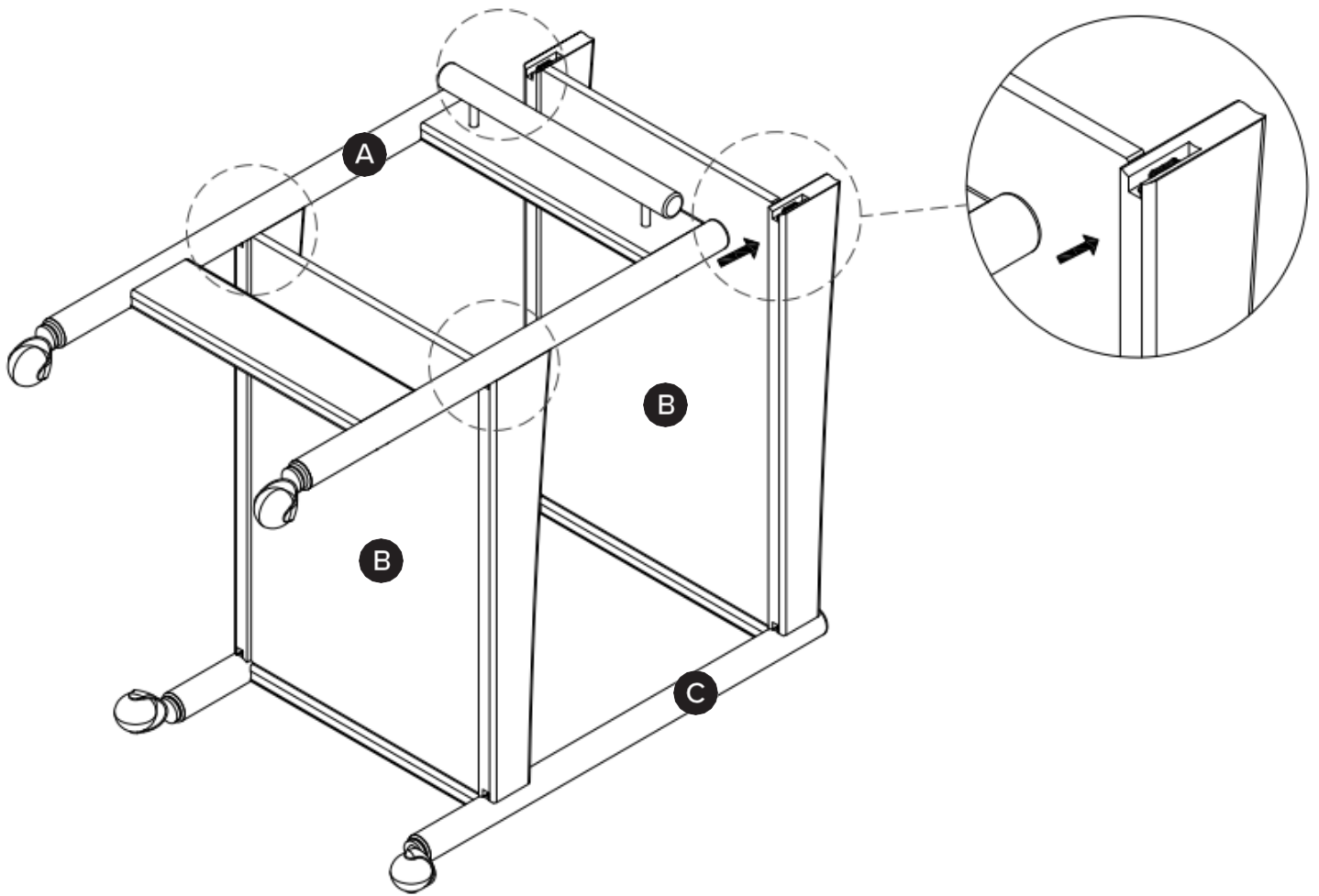
! Make sure the low wall side of (B) connect to leg (C) and high wall side of (B) connect to leg (A)



2

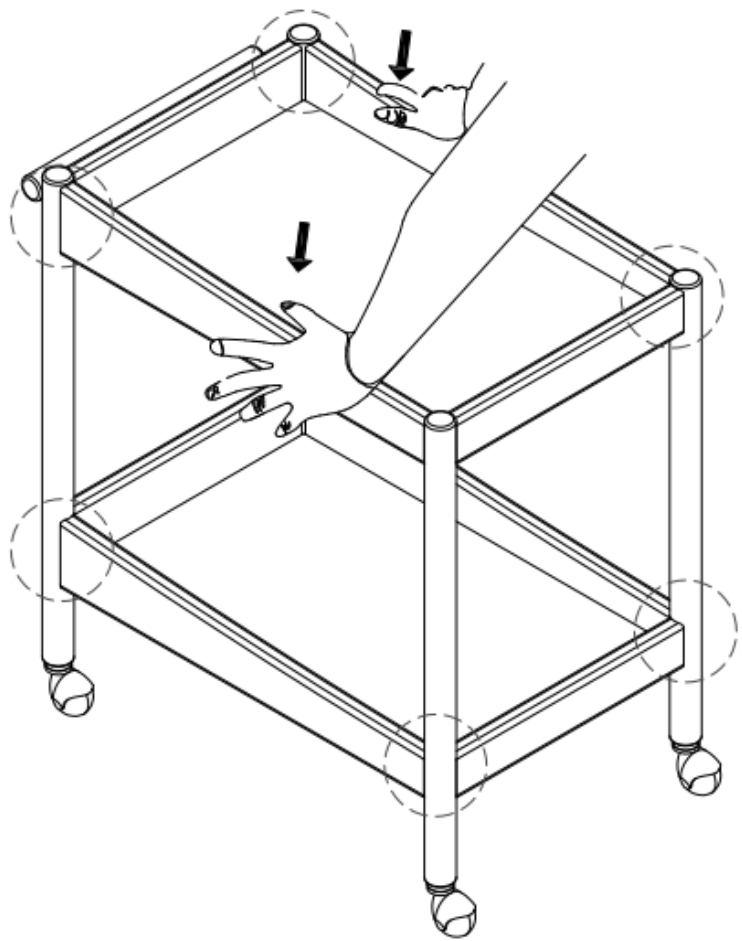
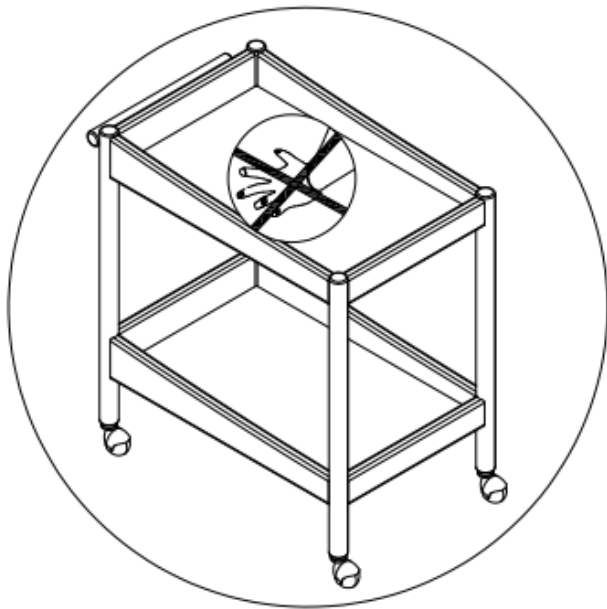


3



4

! Press down on the frame with ~70lbs until hear *clack*.



! Do NOT press on the panel.