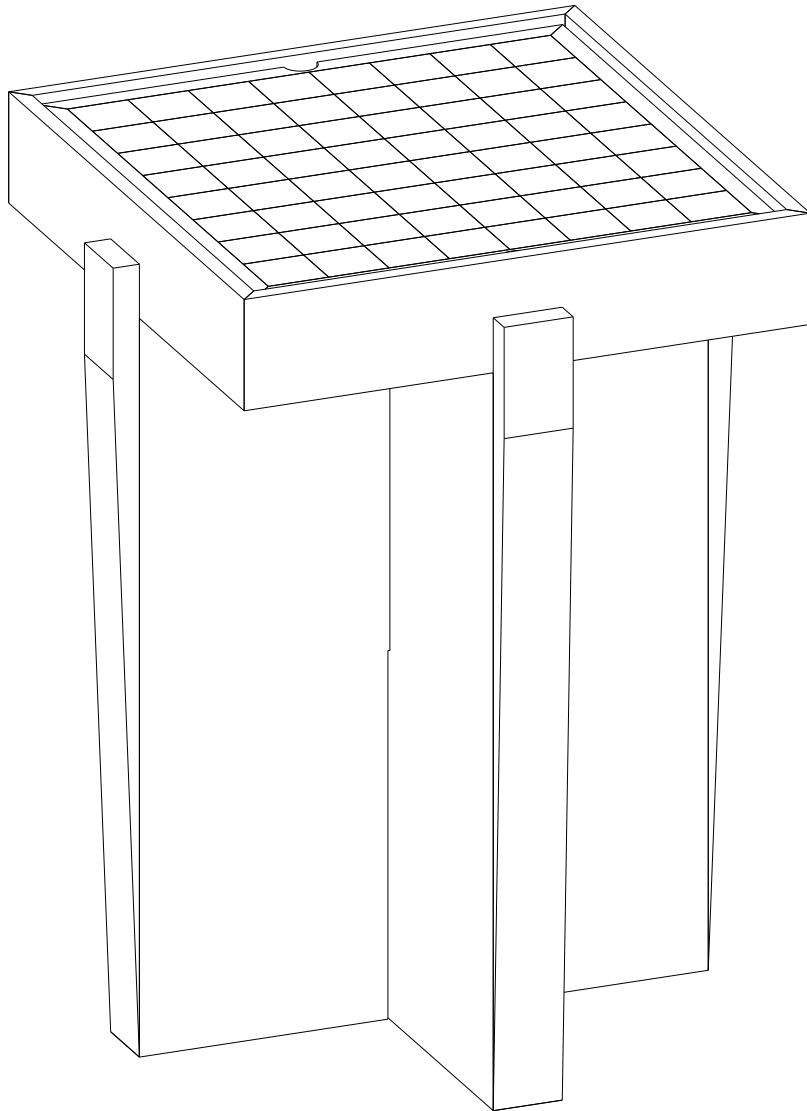


ARTICLE.

VERSION 1.0

Assembly Instructions



HARMON

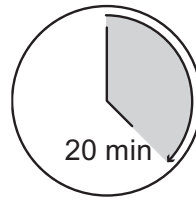
Checkerboard Side Table

ASSEMBLY INSTRUCTIONS

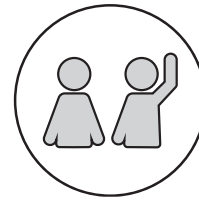
Read these instructions carefully and keep for future reference. Refer to parts inventory for guidance, and ensure you have all pieces before starting.

When assembling, place all parts on a soft, clean, and flat surface such as a carpet to prevent scratches.

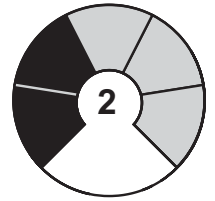
If you're having difficulty, our friendly Customer Care team is always here to help. Call us at **1.888.746.3455** during business hours, email service@article.com or chat live at [article.com](https://www.article.com)



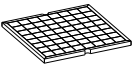
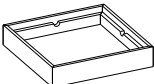
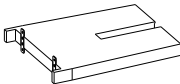
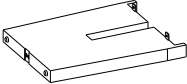


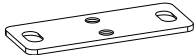
TIME



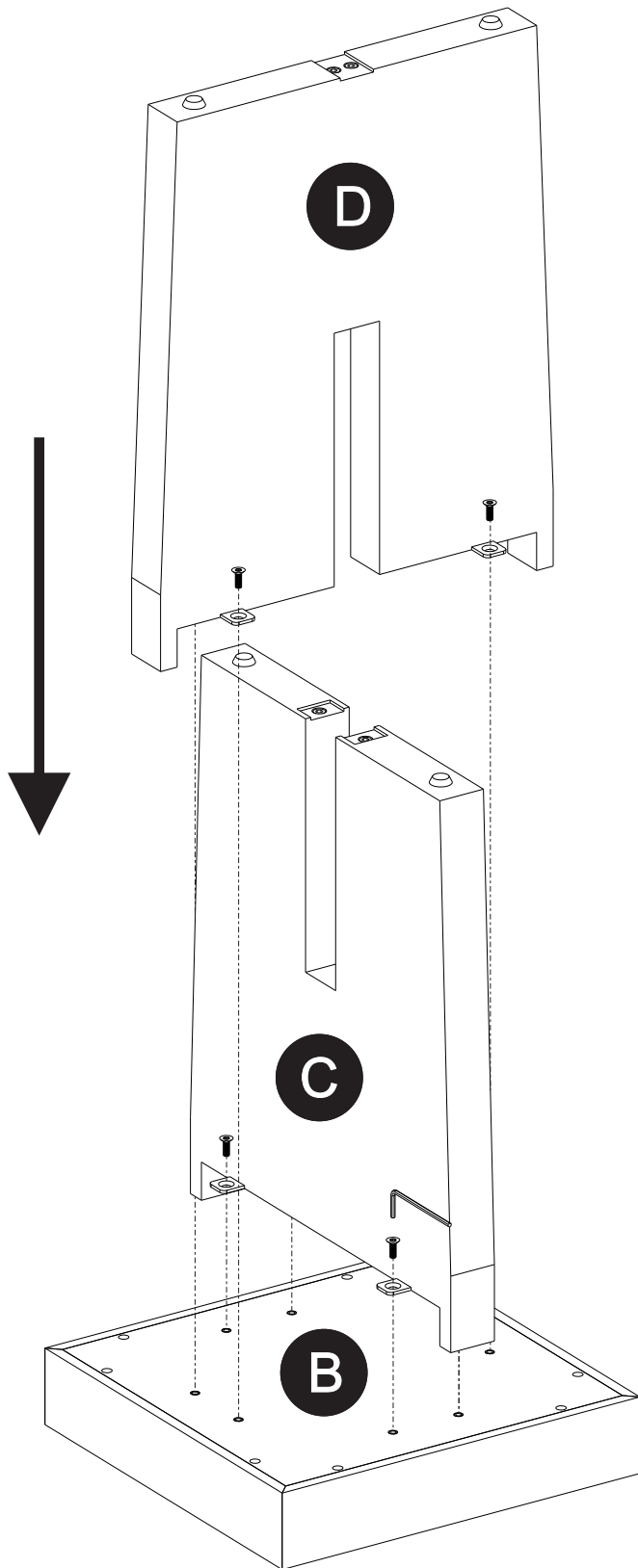
OF PEOPLE



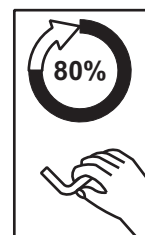
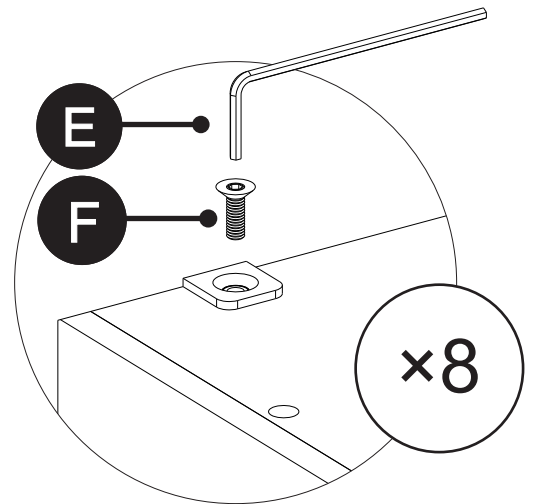
DIFFICULTY

PARTS INVENTORY		
ID	DESCRIPTION	QTY
A	CHECKERBOARD BOARD 	1
B	TABLE TOP 	1
C	LEG FRAME C 	1
D	LEG FRAME D 	1
E	ALLEN KEY 	1
F	M6 × 15MM BOLT 	12
G	38 × 100MM STEEL PAT 	1
H	CHECKER BAG (10 CHECKER OAK, 10 CHECKER WALNUT)	1

1



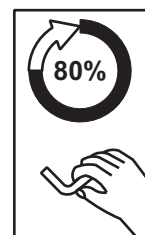
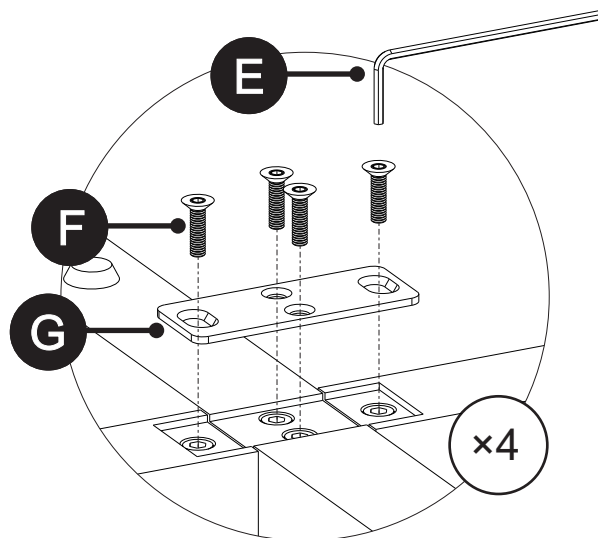
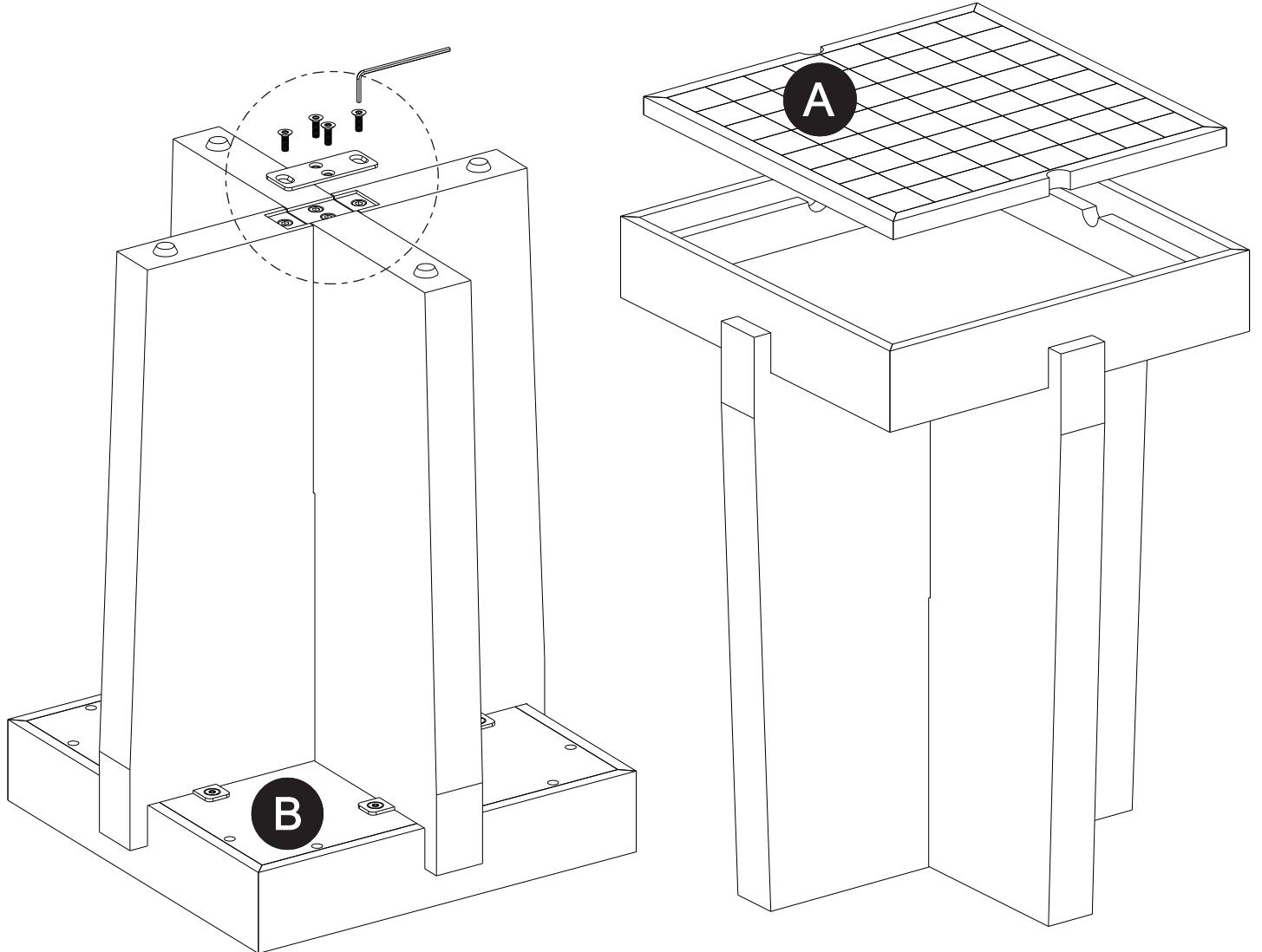
! Make sure to place item down on a soft protected surface



! Do not fully tighten bolts until all bolts are placed properly

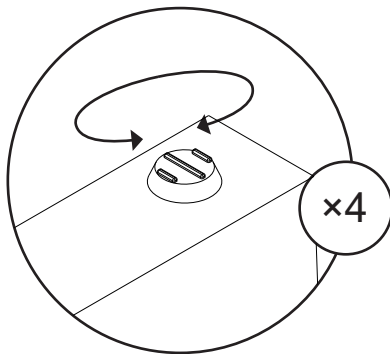
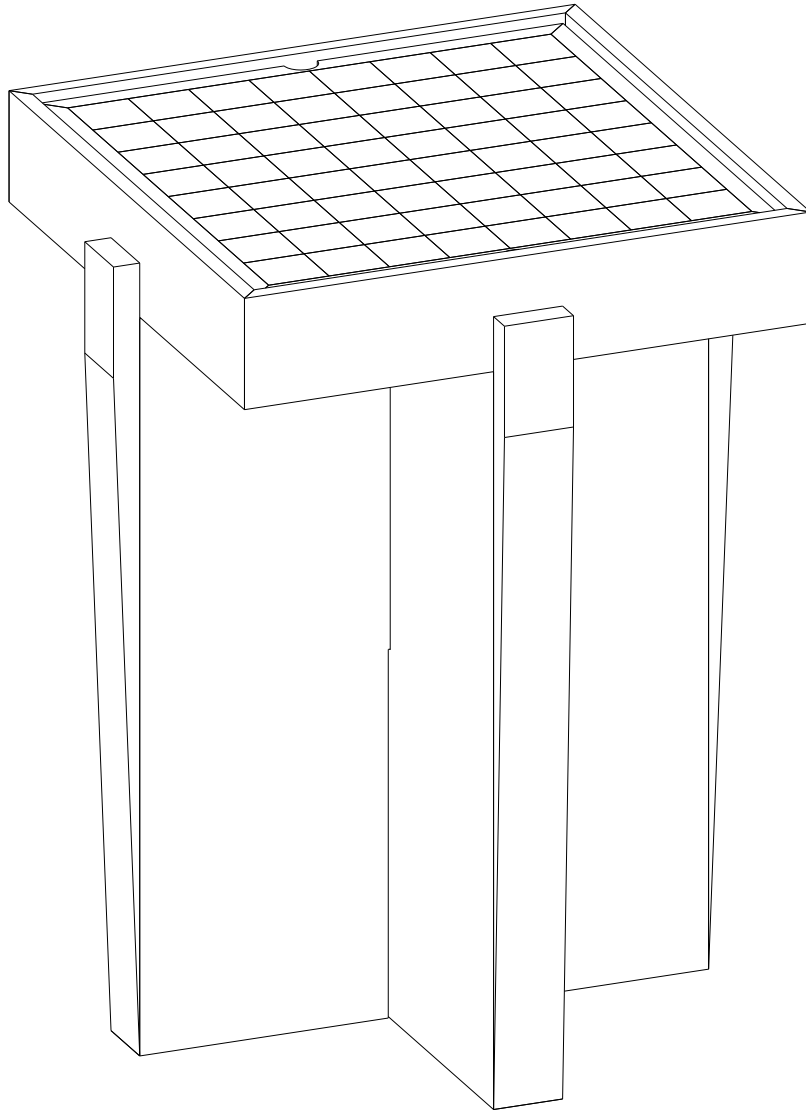
2

! Make sure to place item down on a soft protected surface



! Do not fully tighten bolts until all bolts are placed properly

3



! Adjust levelers on legs as needed.



! Tighten all bolts 100%

IMPORTANT !

It is important that all bolts are re-tightened 2 weeks after assembly and once every 2 months in order to assure stability through-out the lifespan of this product.