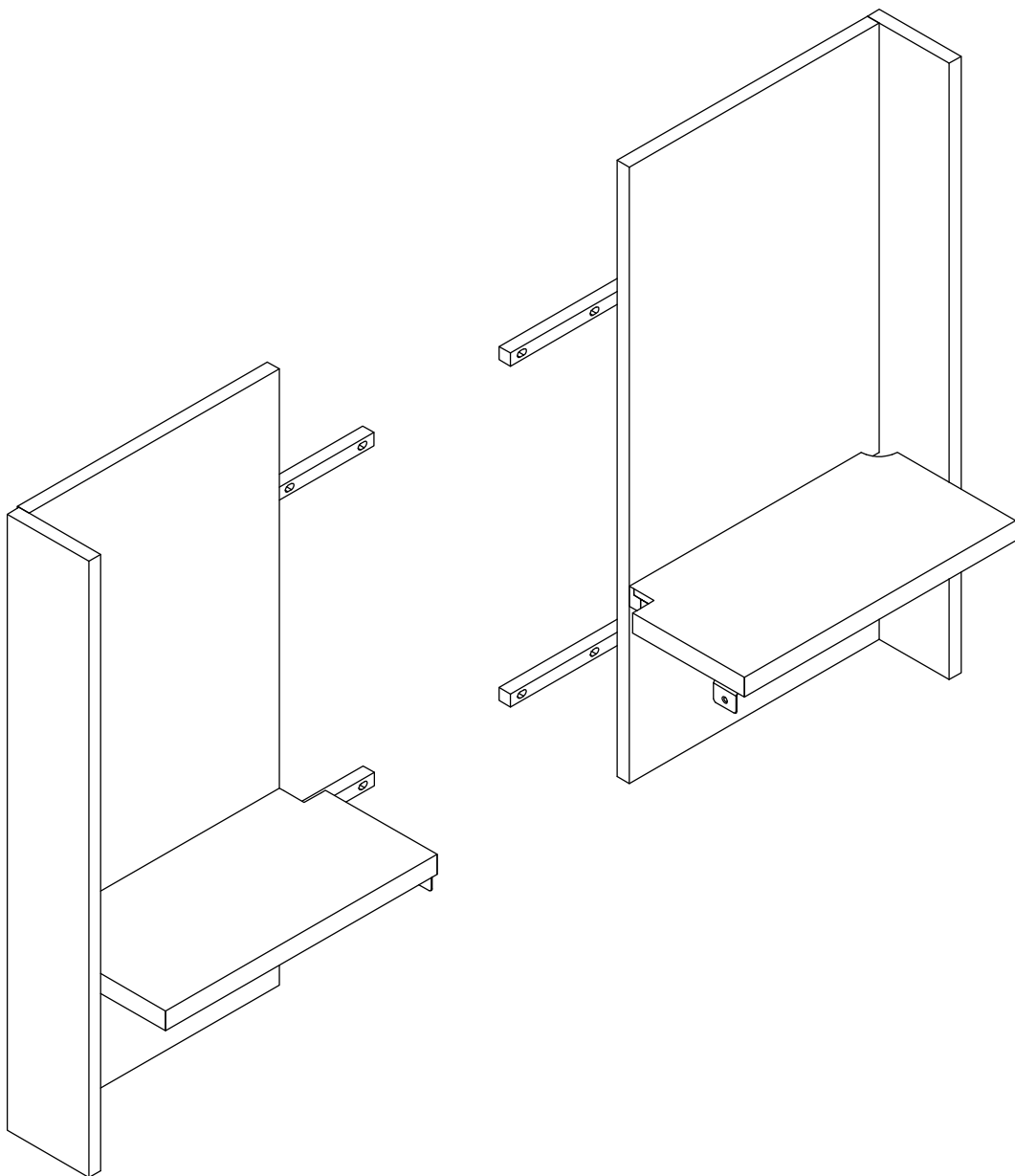


ARTICLE.

VERSION 1.0

Assembly Instructions



LEIF

Nightstand Extension Set

ASSEMBLY INSTRUCTIONS

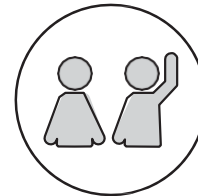
Read these instructions carefully and keep for future reference. Refer to parts inventory for guidance, and ensure you have all pieces before starting.

When assembling, place all parts on a soft, clean, and flat surface such as a carpet to prevent scratches.

If you're having difficulty, our friendly Customer Care team is always here to help. Call us at **1.888.746.3455** during business hours, email **service@article.com** or chat live at **article.com**.



TIME


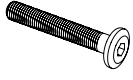



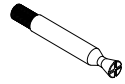




OF PEOPLE

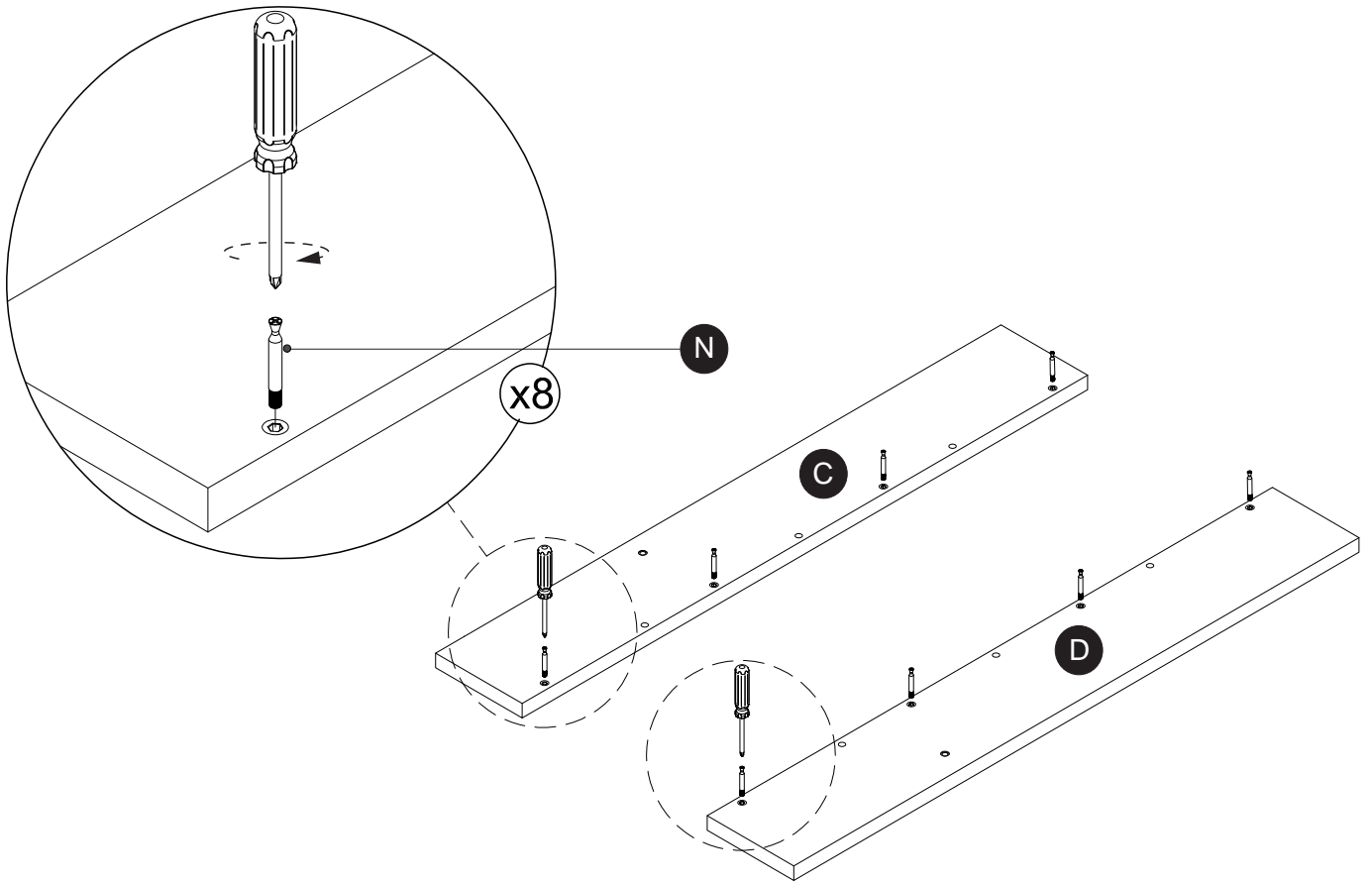


DIFFICULTY

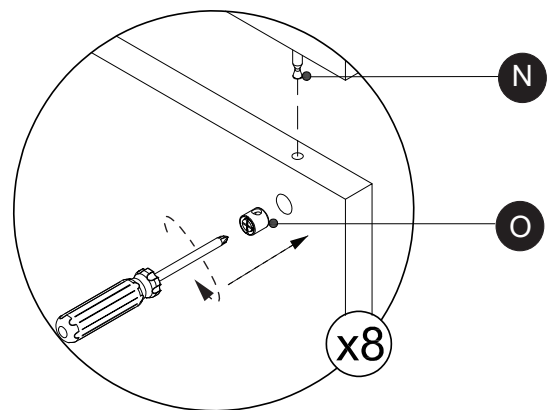
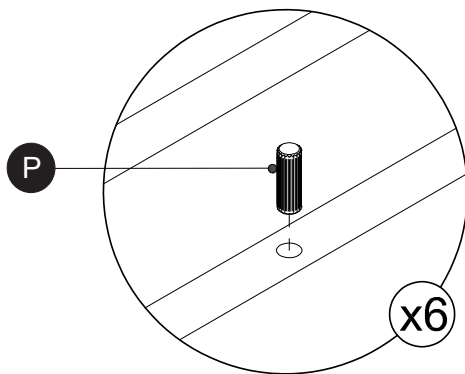
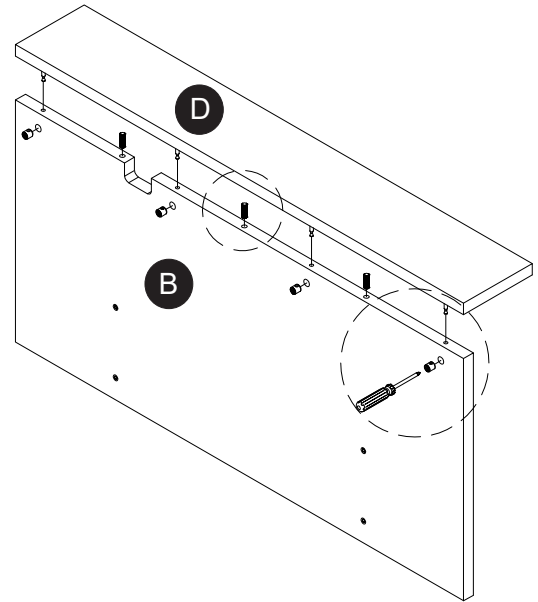
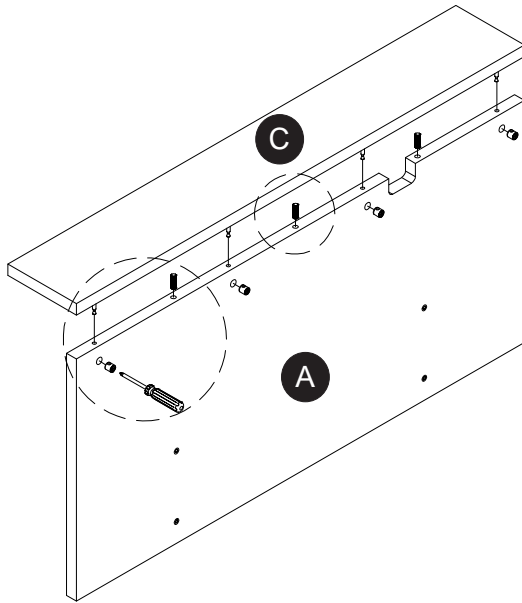
PARTS INVENTORY		
ID	DESCRIPTION	QTY
A	LEFT BACK PANEL	1
B	RIGHT BACK PANEL	1
C	LEFT SIDE PANEL	1
D	RIGHT SIDE PANEL	1
E	LEFT SHELF	1
F	RIGHT SHELF	1
G	FRAME PART	4
H	METAL BRACKET	2

PARTS INVENTORY CONT.		
ID	DESCRIPTION	QTY
I	ALLEN KEY 	2
J	M6 × 40MM BOLT 	22
K	M6 × 20MM BOLT 	6
L	M6 LOCK WASHER 	22
M	M6 WASHER 	22
N	CAMLOCK PIN 	8
O	CAMLOCK 	8
P	WOOD DOWEL 	10

1

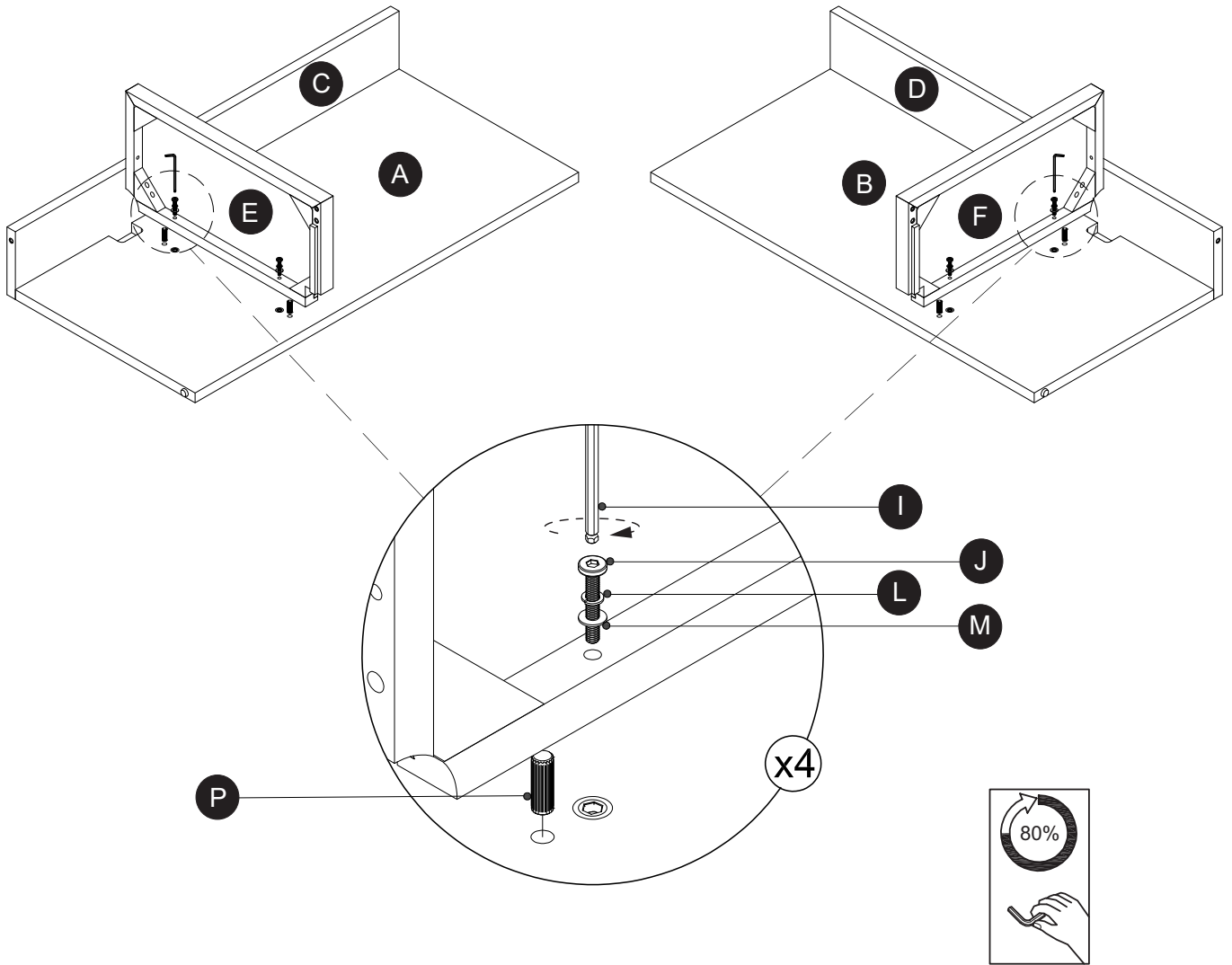


2



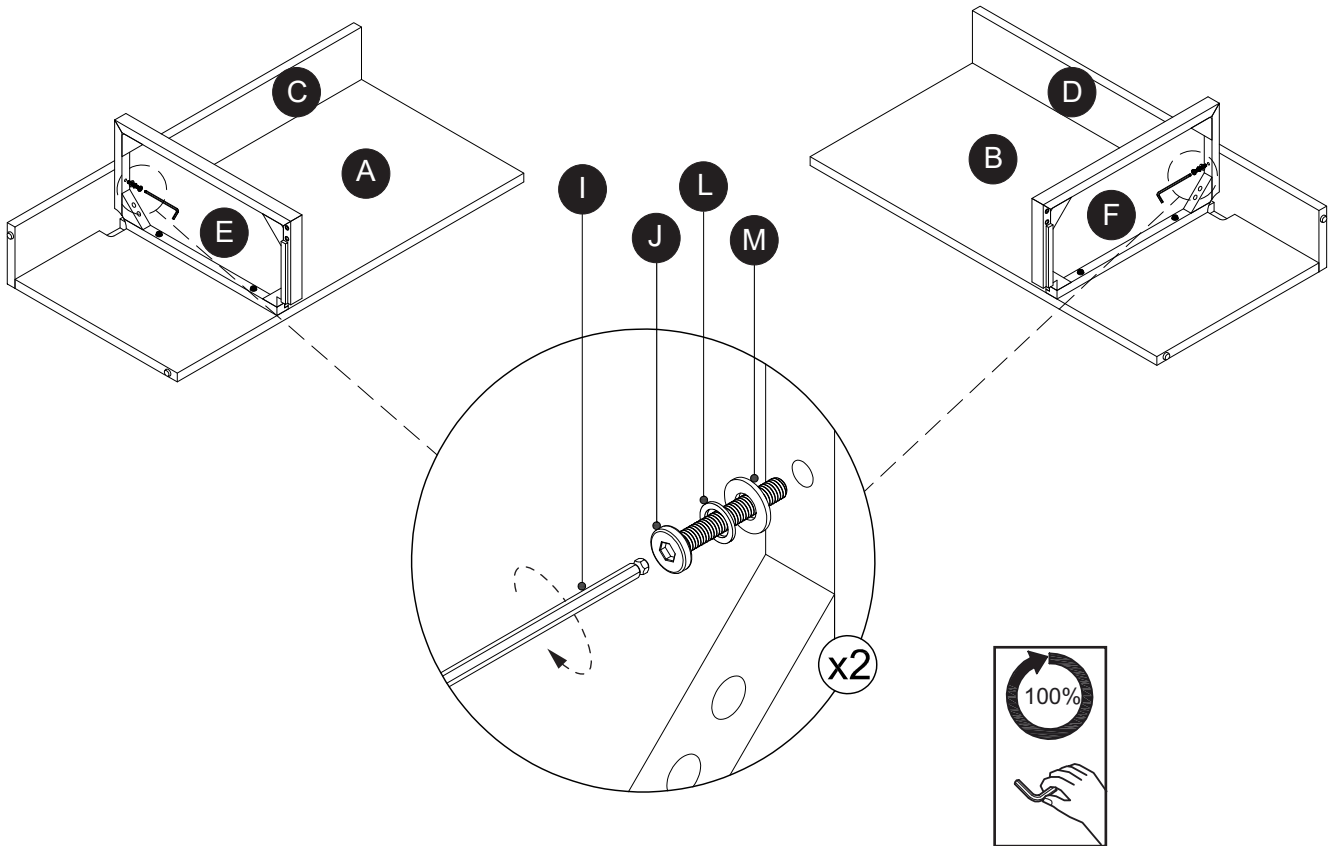
Note: Make sure line of barrel cam runs horizontal to top of side panel with hole facing outward as shown.

3



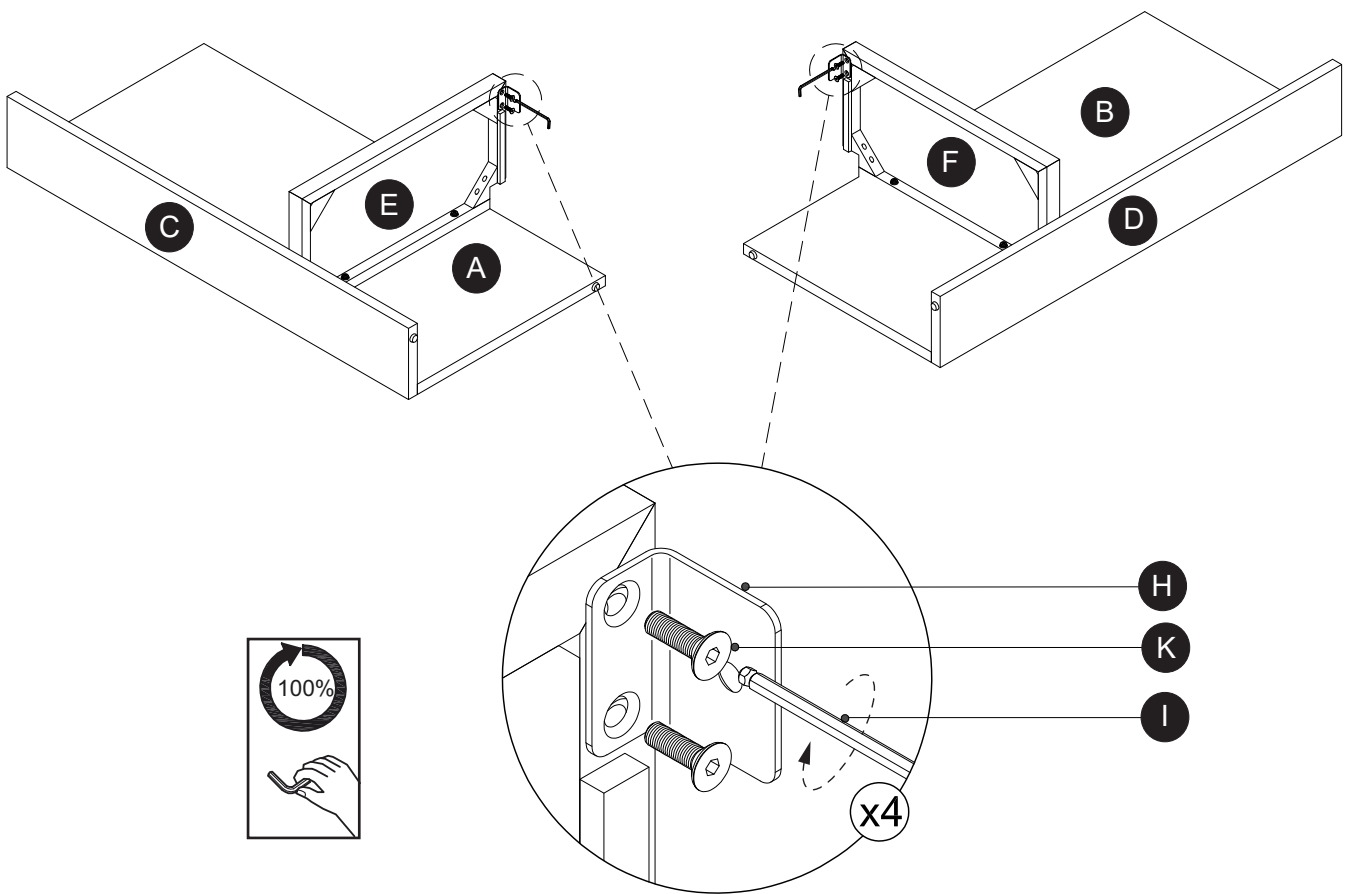
! Do not fully tighten bolts.

4

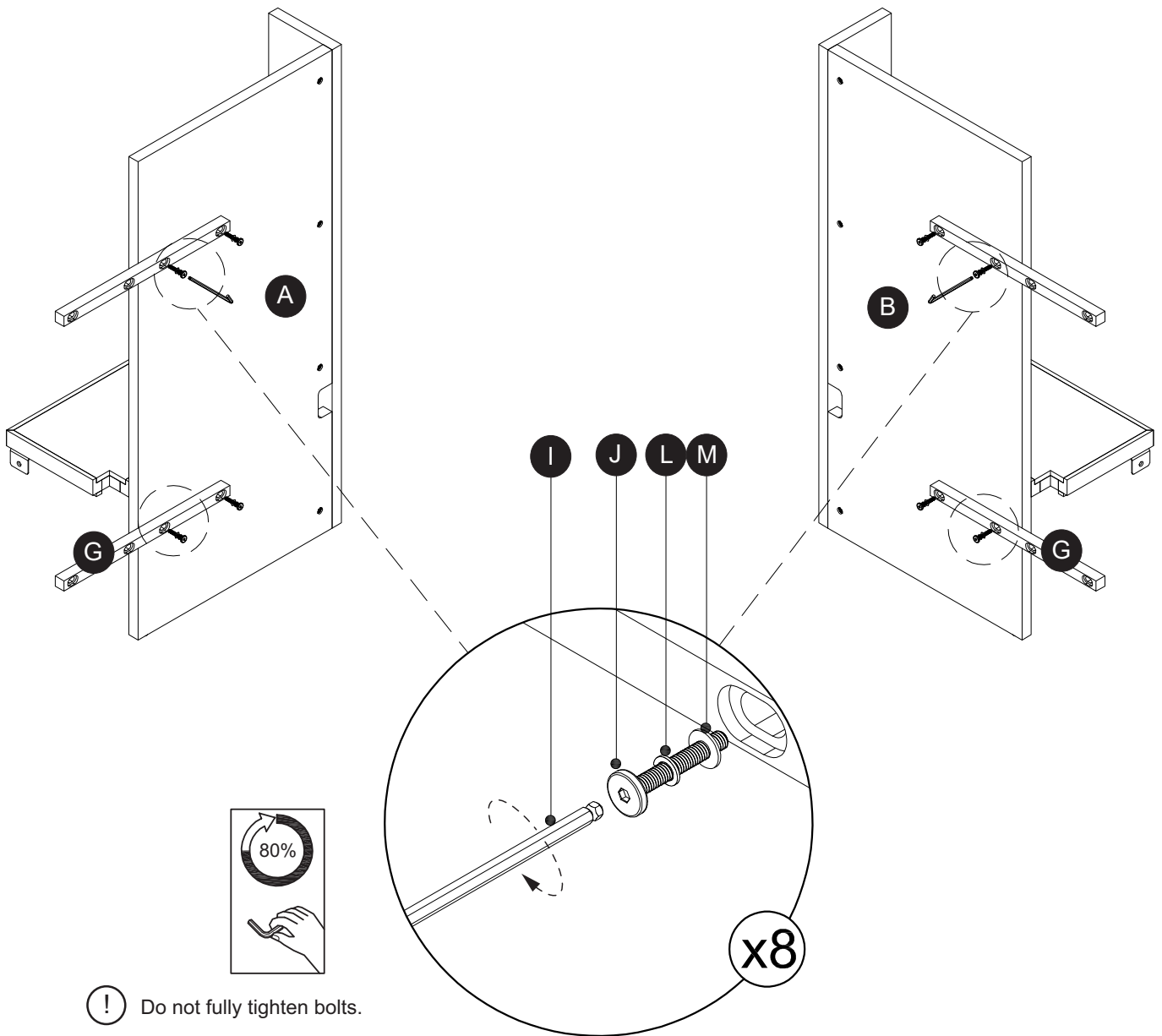


! Fully tighten all bolts on each corners

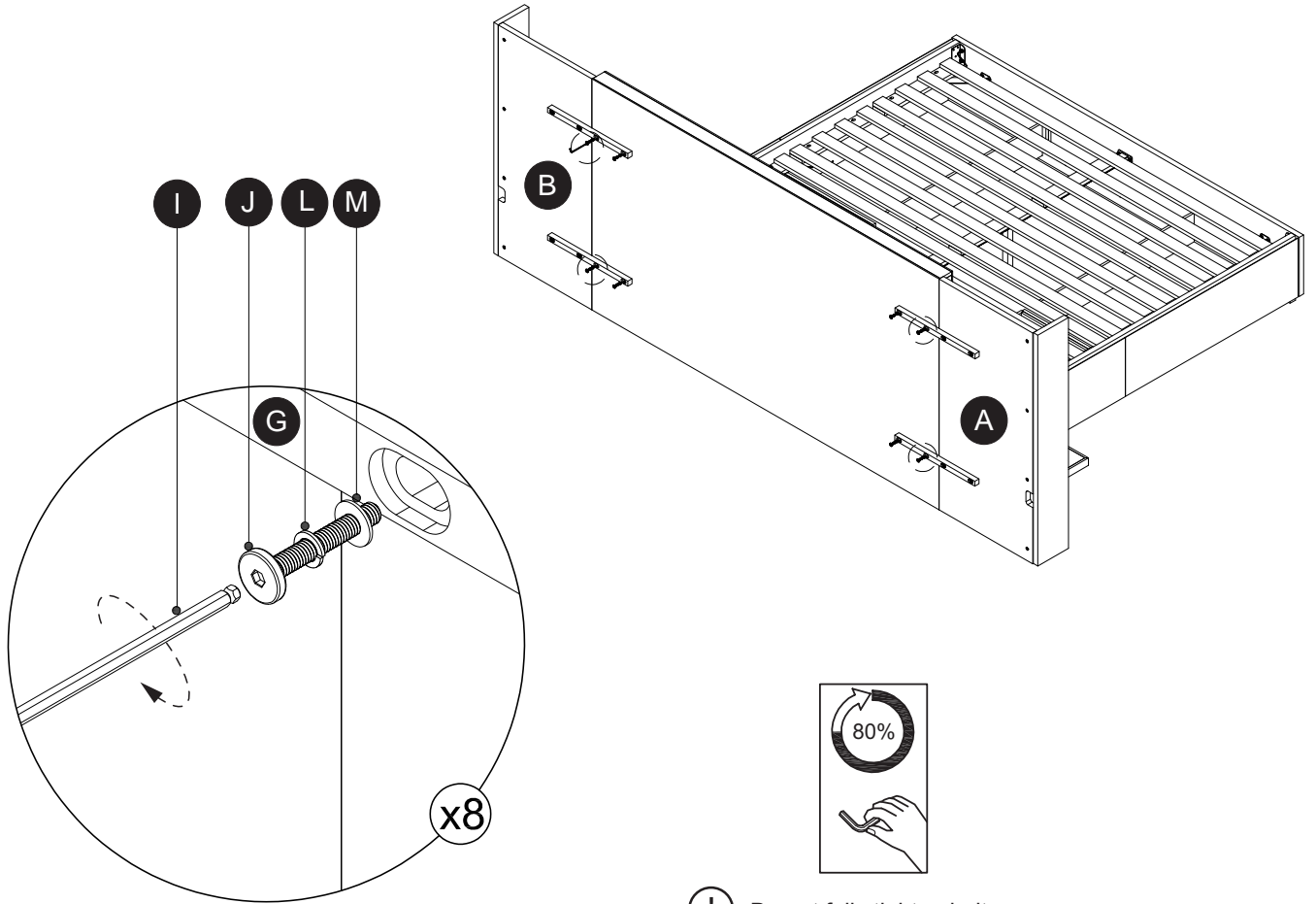
5



6

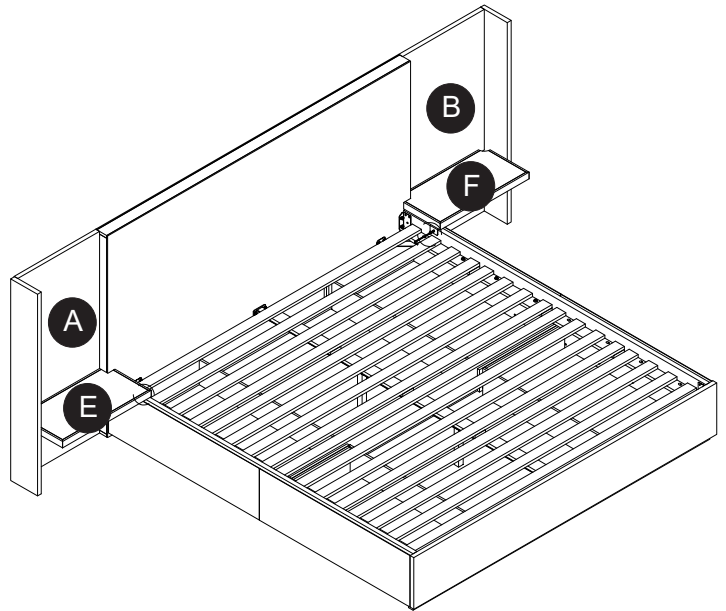
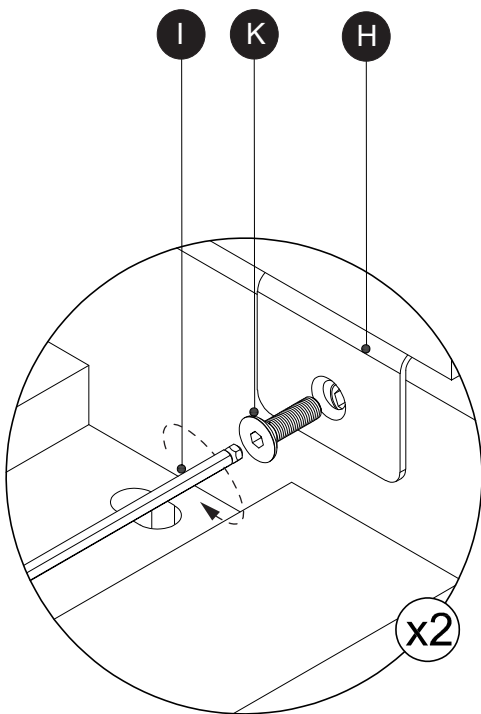


7



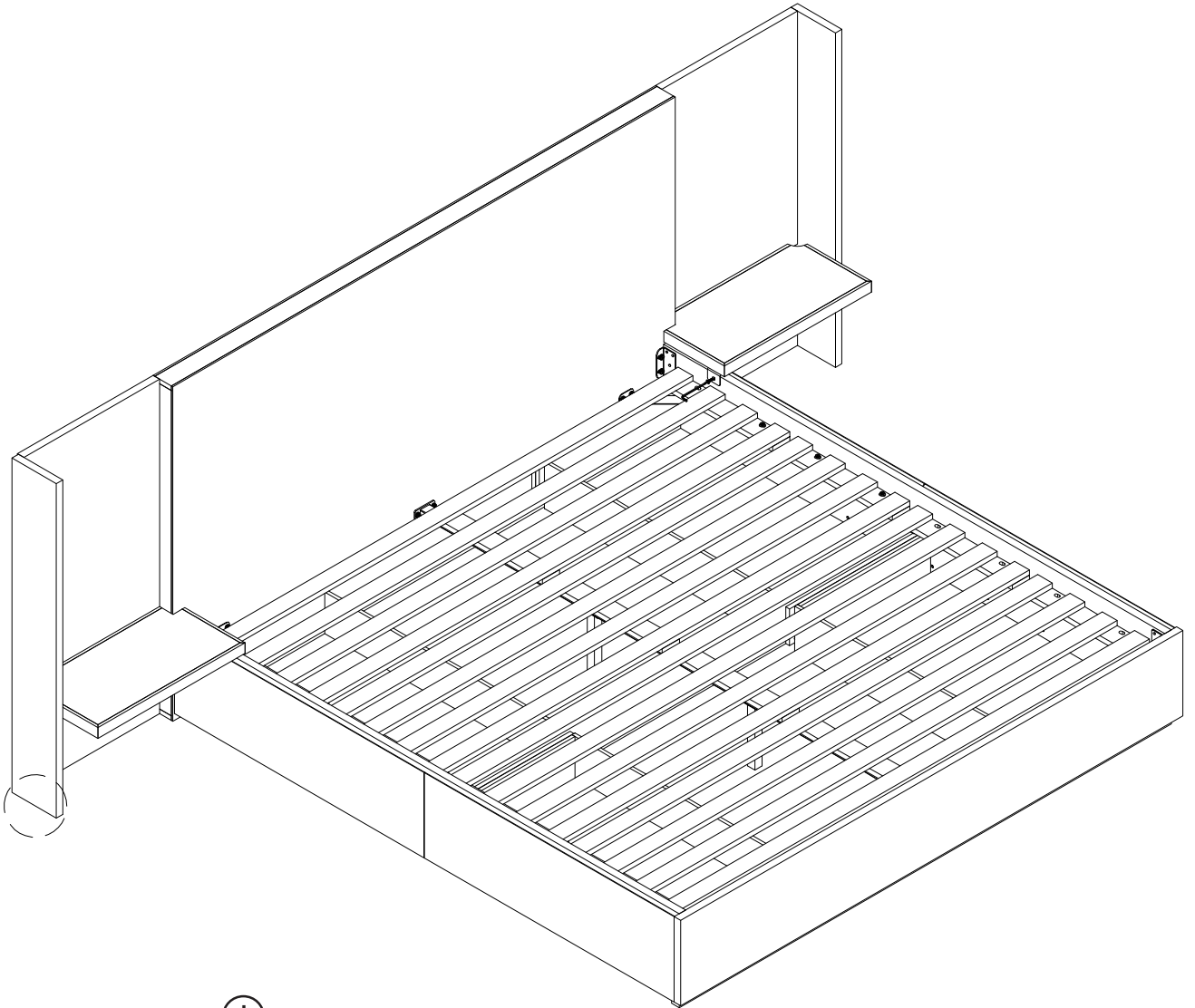
! Do not fully tighten bolts.

8



! Fully tighten all bolts on each corners

9



! Adjust levelers as needed.

