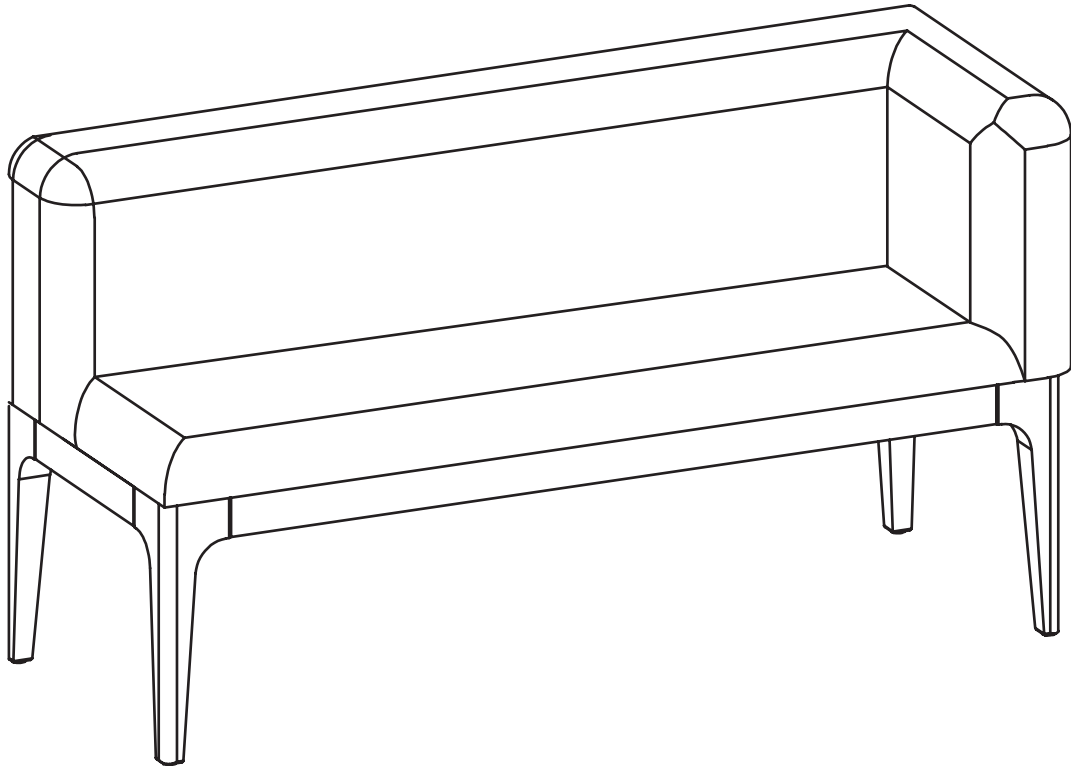


ARTICLE.

VERSION 1.0

Assembly Instructions



ROSIN

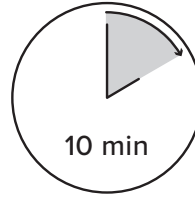
Corner Banquette

ASSEMBLY INSTRUCTIONS

Read these instructions carefully and keep for future reference. Refer to parts inventory for guidance, and ensure you have all pieces before starting.

When assembling, place all parts on a soft, clean, and flat surface such as a carpet to prevent scratches.

If you're having difficulty, our friendly Customer Care team is always here to help. Call us at **1.888.746.3455** during business hours, email service@article.com or chat live at article.com.

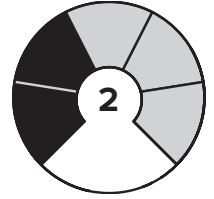


10 min

TIME









OF PEOPLE



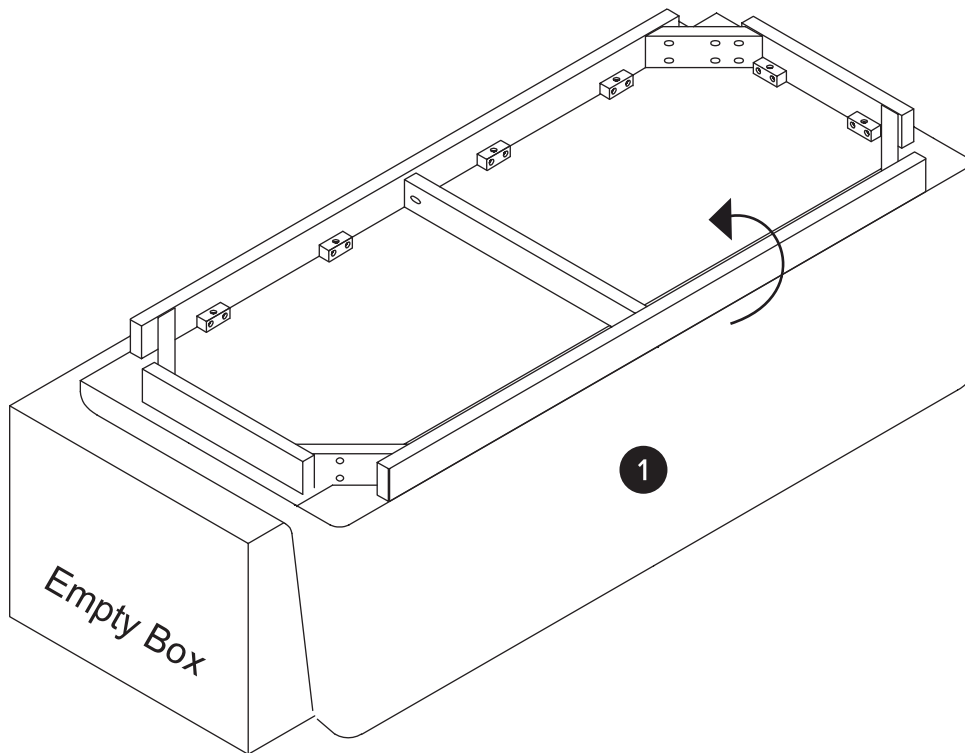
2

DIFFICULTY

PARTS INVENTORY		
ID	DESCRIPTION	QTY
1	CUSHION SEAT 	1
2	LEG 	2

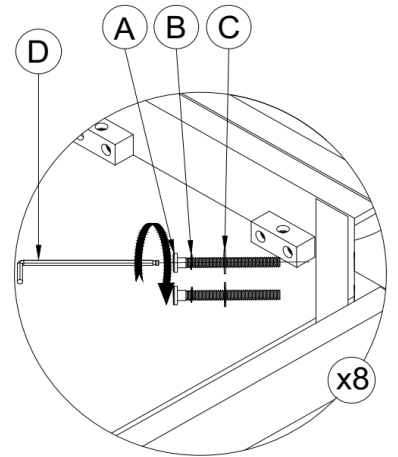
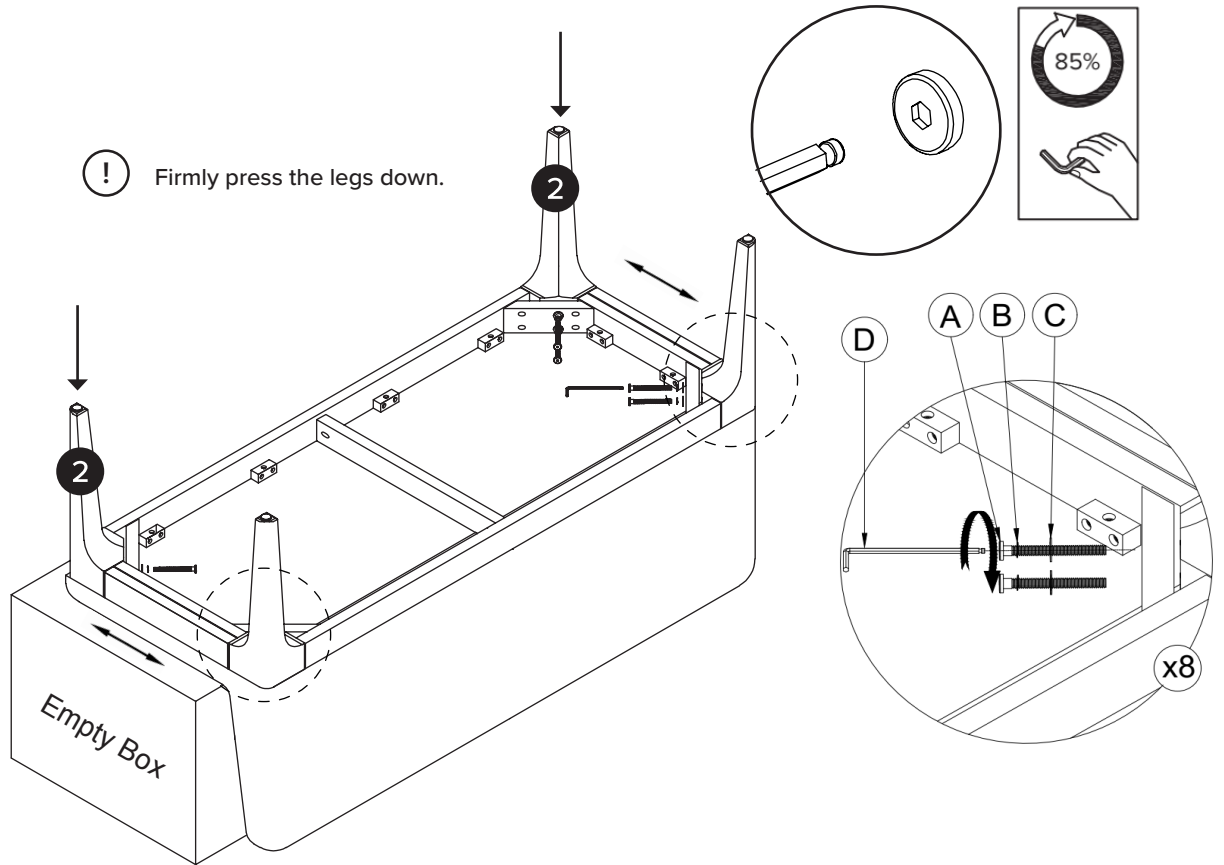
PARTS INVENTORY		
ID	DESCRIPTION	QTY
A	M8 × 80MM BOLT 	8
B	M8.5 LOCK WASHER 	8
C	M8.5 WASHER 	8
D	ALLEN KEY 	1

1

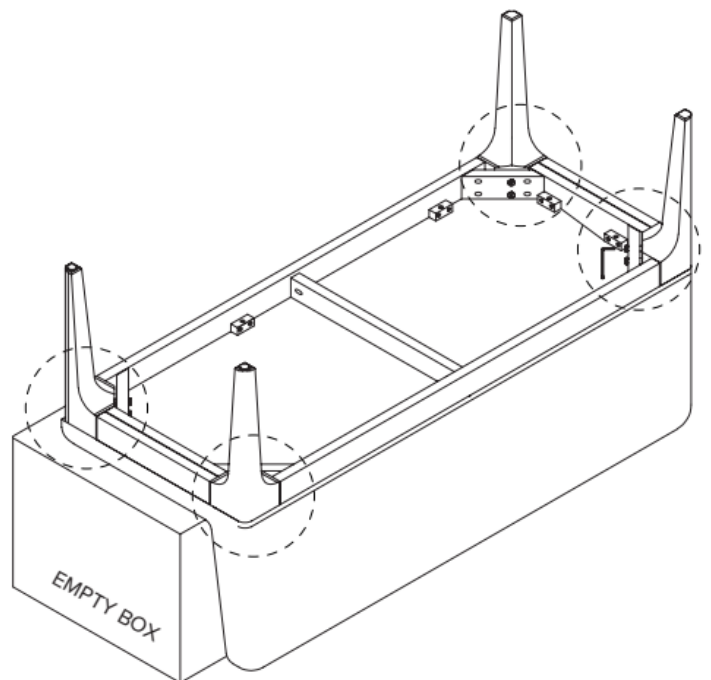
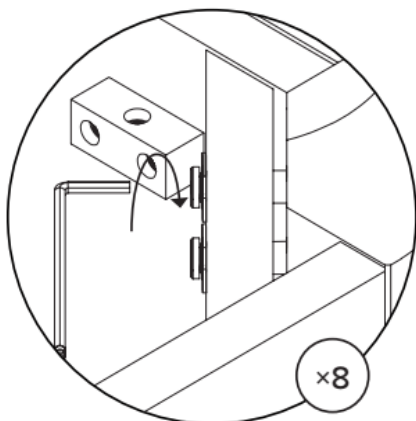


2

! Firmly press the legs down.



! Wrench the bolt by using the ball head of the allen key.



3

