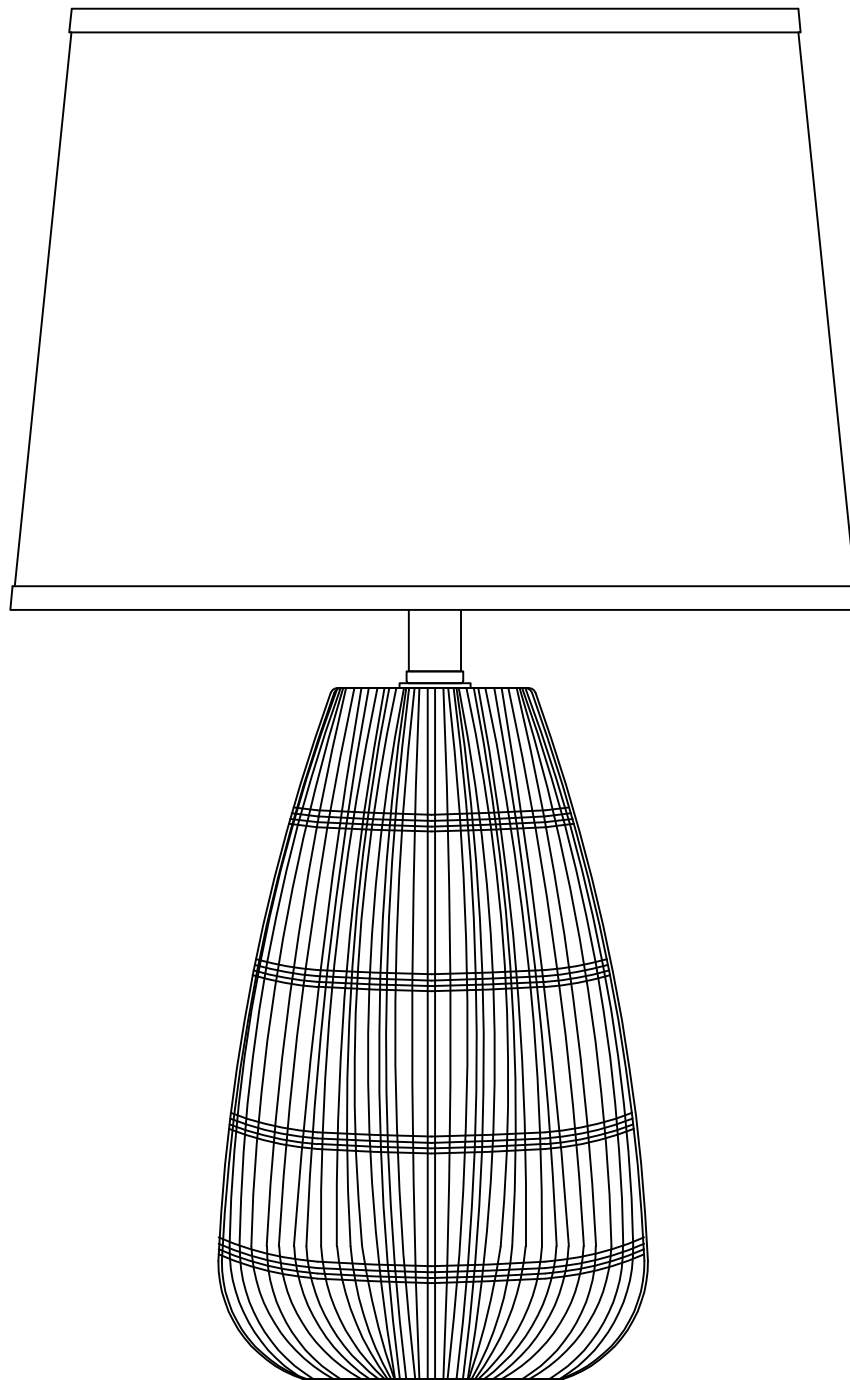


# ARTICLE.

VERSION 1

## Assembly Instructions



# BRIE

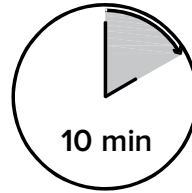
Table Lamp

## ASSEMBLY INSTRUCTIONS

Read these instructions carefully and keep for future reference. Refer to parts inventory for guidance, and ensure you have all pieces before starting.

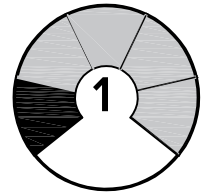
When assembling, place all parts on a soft, clean, and flat surface such as a carpet to prevent scratches.

If you're having difficulty, our friendly Customer Care team is always here to help. Call us at **1.888.746.3455** during business hours, email **service@article.com** or chat live at **article.com**.

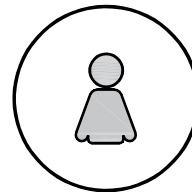


10 min


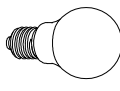
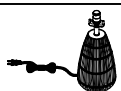
**TIME**

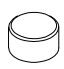



**DIFFICULTY**



**# OF PEOPLE**

PARTS INVENTORY			
ID	DESCRIPTION		QTY
<b>A</b>	SHADE		1
<b>B</b>	BULB E26		1
<b>C</b>	LAMP BODY WITH SOCKET		1

PARTS INVENTORY CONT.			
ID	DESCRIPTION		QTY
<b>D</b>	FINIAL		1
<b>E</b>	HARP		1

