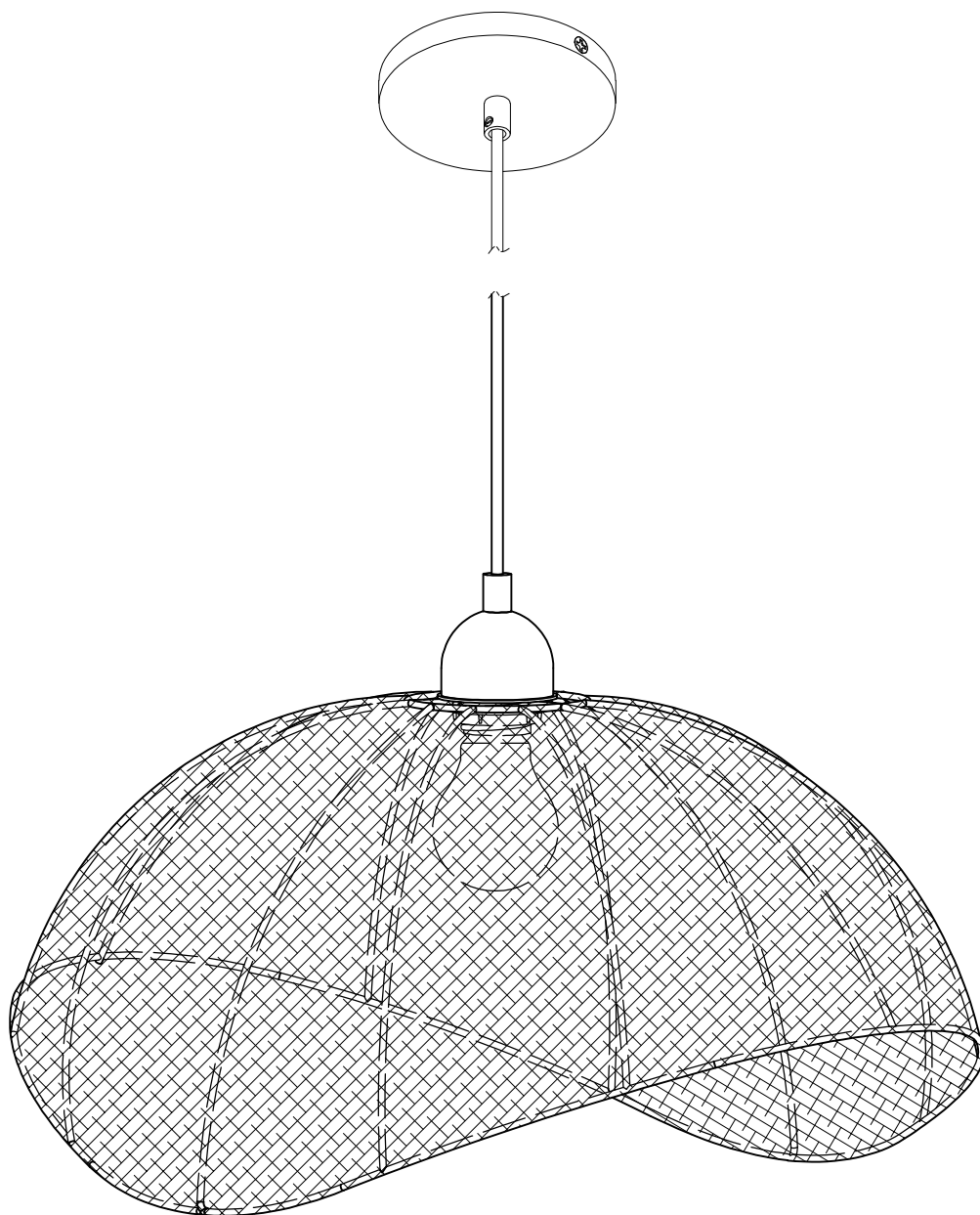


ARTICLE.

VERSION 1

Assembly Instructions



BOMBA

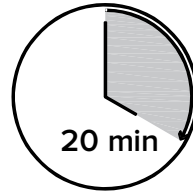
Pendant Lamp

ASSEMBLY INSTRUCTIONS

Read these instructions carefully and keep for future reference. Refer to parts inventory for guidance, and ensure you have all pieces before starting.

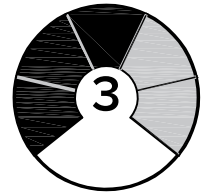
When assembling, place all parts on a soft, clean, and flat surface such as a carpet to prevent scratches.

If you're having difficulty, our friendly Customer Care team is always here to help. Call us at **1.888.746.3455** during business hours, email **service@article.com** or chat live at **article.com**.



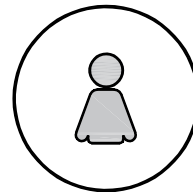
20 min

TIME

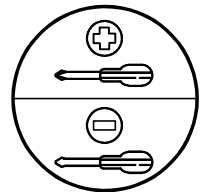


3

DIFFICULTY




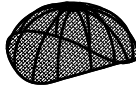



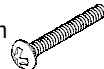

OF PEOPLE

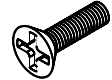
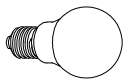


REQUIRED TOOL

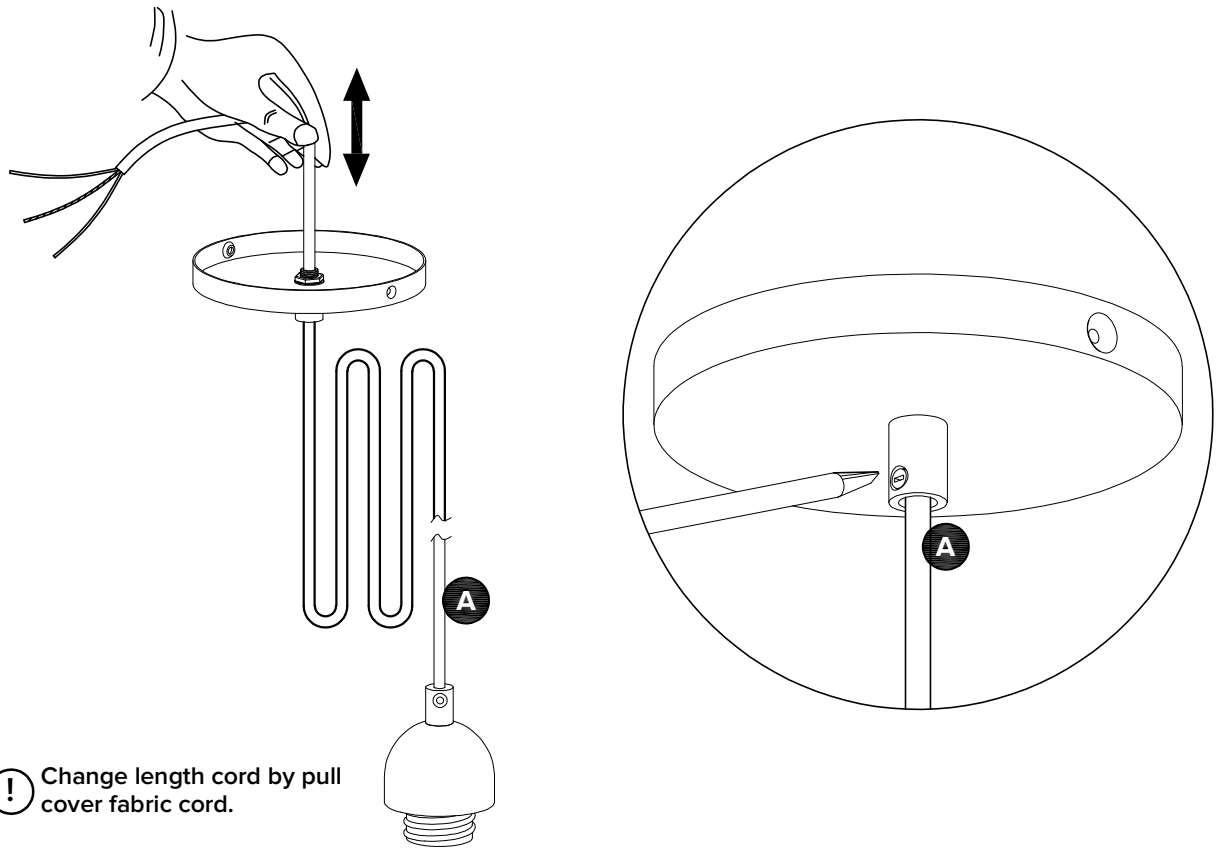


Consultation with a professional electrician is recommended for the installation of this pendant lamp.

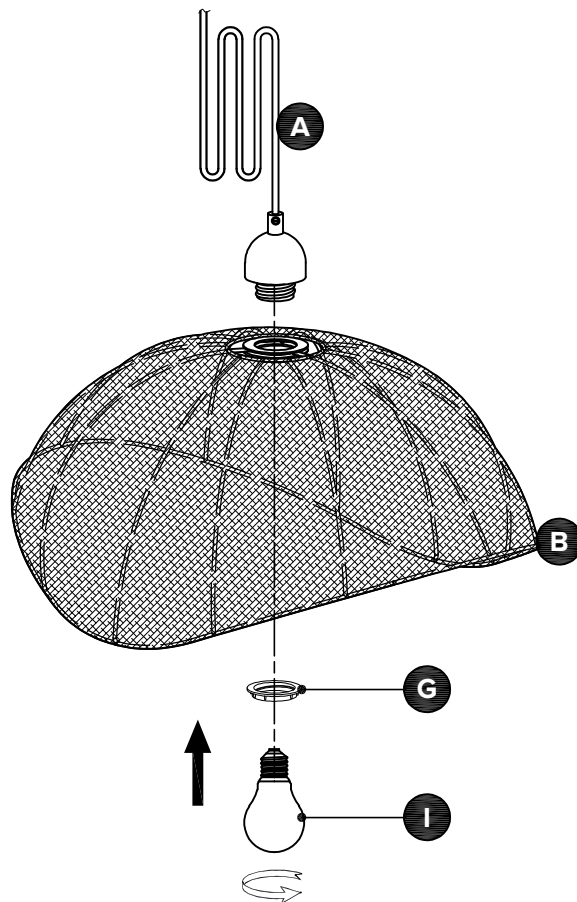
PARTS INVENTORY			
ID	DESCRIPTION		QTY
A	LAMP BODY WITH SOCKET		1
B	SHADE		1
C	MOUNTING BRACKET IRON ROUND		1
D	SHORT GREEN SCREW 8/32x8mm		1
E	WIRE NUT		3
F	MOUNTING SCREWS 8/32x25mm		2
G	SOCKET RING (PRE-INSTALLED)		1

PARTS INVENTORY CONT.			
ID	DESCRIPTION		QTY
H	SIDE SCREW 8/32x20mm		2
I	BULB E26		1

1

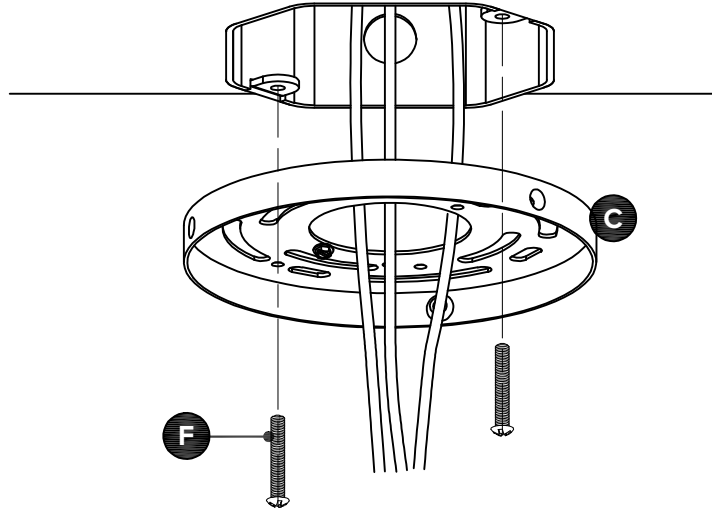


2



3

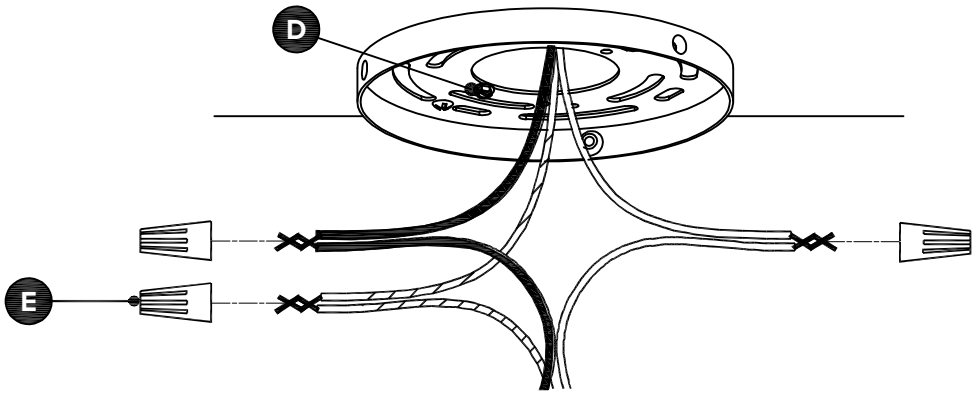
CAUTION
Turn off power at main circuit panel before starting installation.



! Thread wires through mounting bracket iron round (C) before attaching to junction box.

4

! Match up wires by color and attach with wire nuts (E).
BLACK: Hot Fixture
WHITE: Neutral Fixture
GREEN OR BARE COPPER: Ground wire



! If junction box does not have a green ground wire, attach ground wire from lamp to short green screw (D) on mounting bracket.

5

