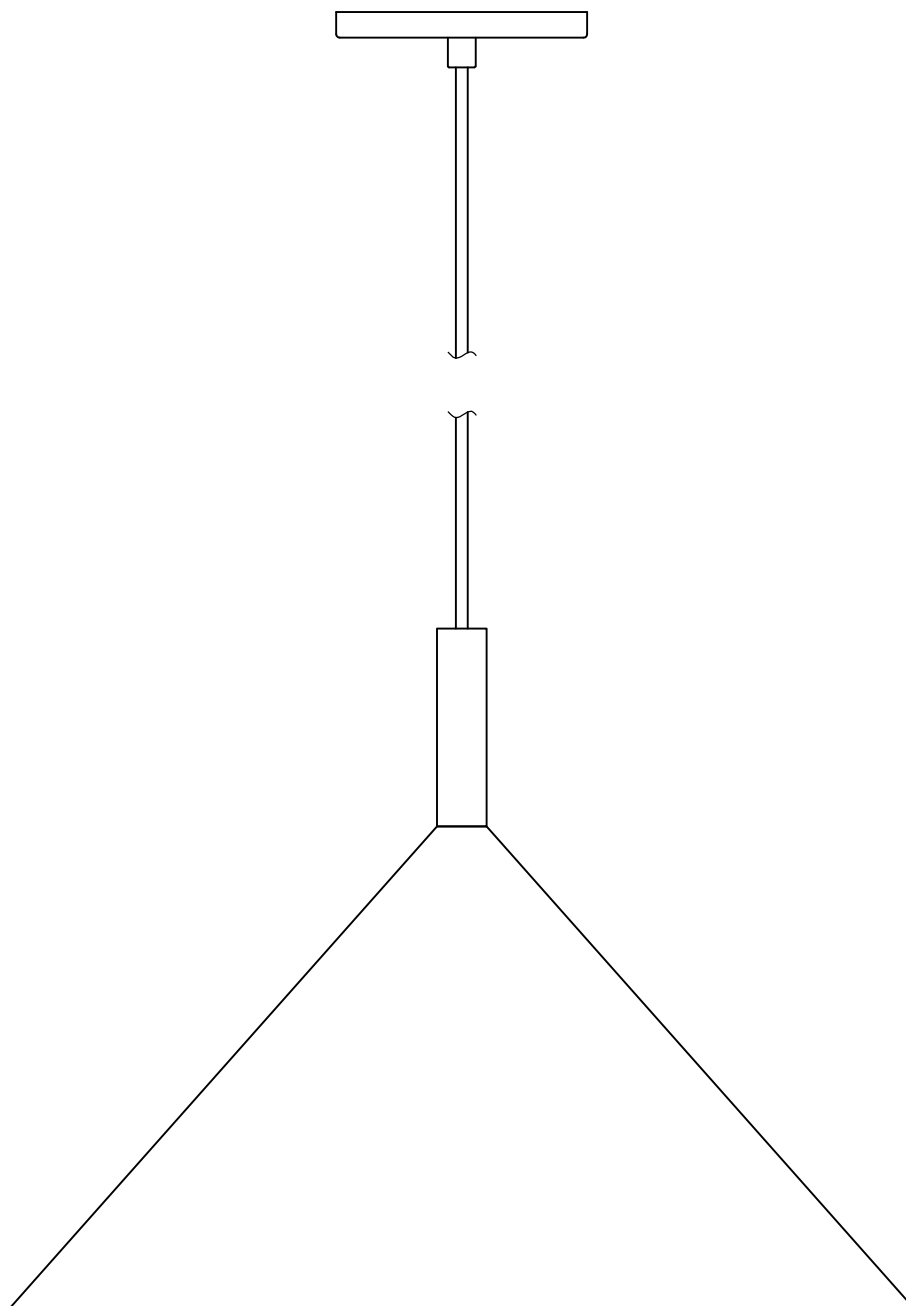


# ARTICLE.

VERSION 1

## Assembly Instructions



# AINO

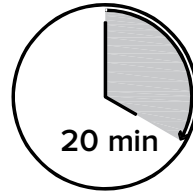
Pendant Lamp

## ASSEMBLY INSTRUCTIONS

Read these instructions carefully and keep for future reference. Refer to parts inventory for guidance, and ensure you have all pieces before starting.

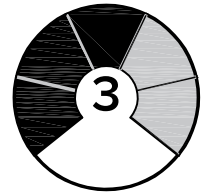
When assembling, place all parts on a soft, clean, and flat surface such as a carpet to prevent scratches.

If you're having difficulty, our friendly Customer Care team is always here to help. Call us at **1.888.746.3455** during business hours, email **service@article.com** or chat live at **article.com**.

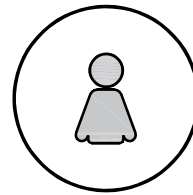


20 min

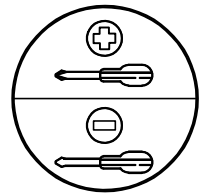
**TIME**



**DIFFICULTY**



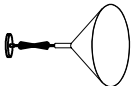



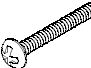
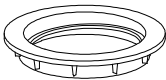
**# OF PEOPLE**

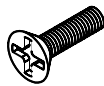
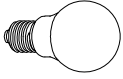


**REQUIRED TOOL**

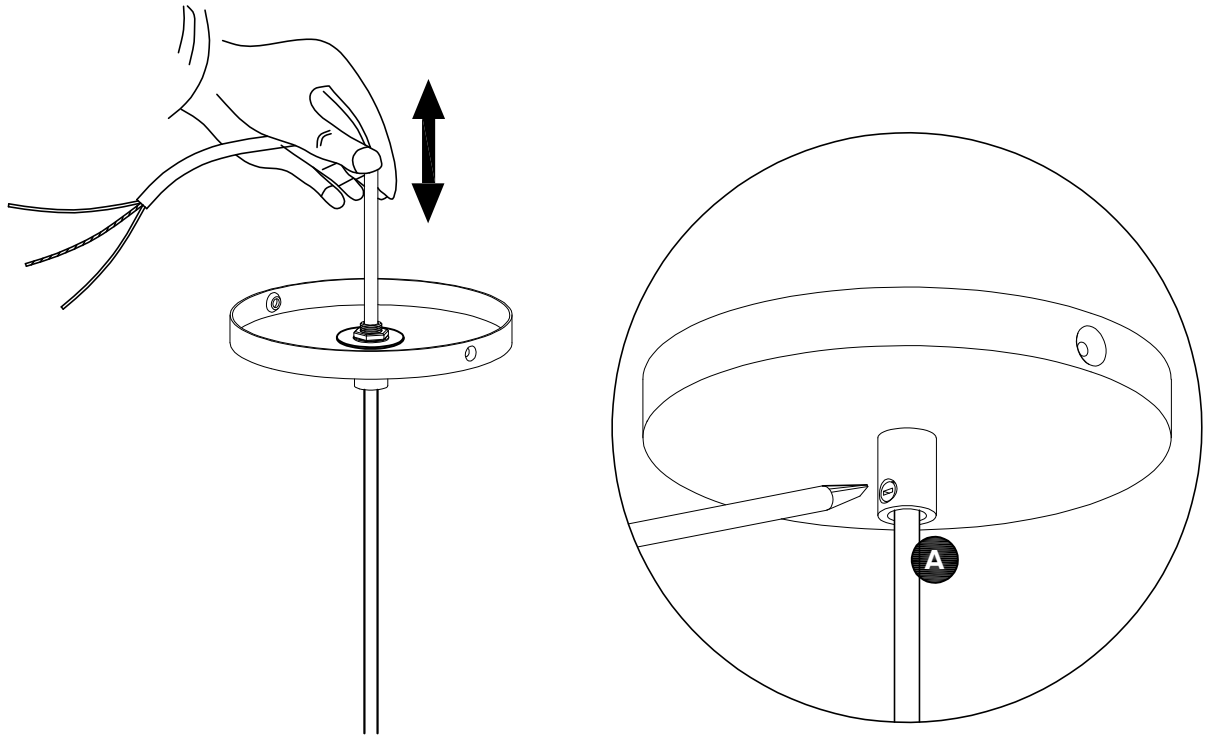


Consultation with a professional electrician is recommended for the installation of this pendant lamp.

PARTS INVENTORY			
ID	DESCRIPTION		QTY
<b>A</b>	LAMP BODY		1
<b>B</b>	MOUNTING BRACKET IRON ROUND		1
<b>C</b>	SHORT GREEN SCREW 8/32x8mm		1
<b>D</b>	WIRE NUT		3
<b>E</b>	MOUNTING SCREWS 8/32x25mm		2
<b>F</b>	SOCKET RING (PRE-INSTALLED)		1

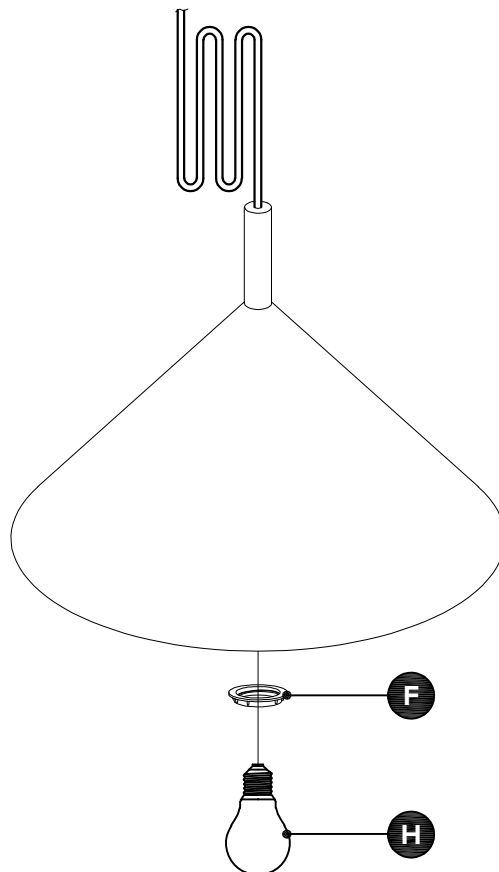
PARTS INVENTORY CONT.			
ID	DESCRIPTION		QTY
<b>G</b>	SIDE SCREW 8/32x20mm		2
<b>H</b>	BULB E26		1

1



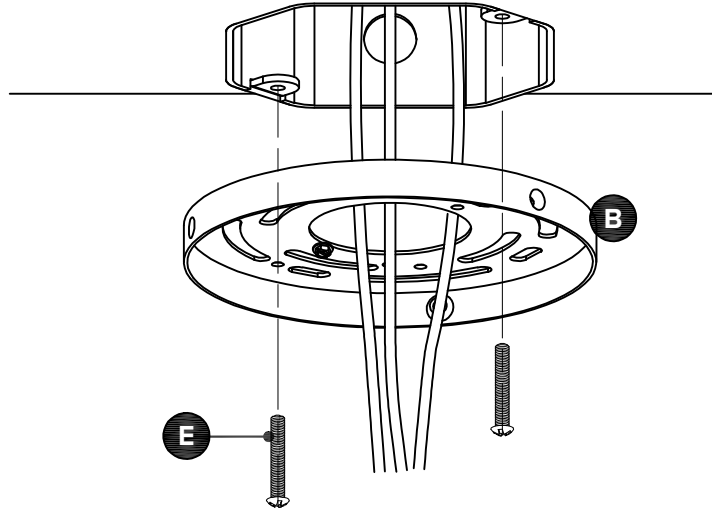
! Change length cord by pull cover fabric cord.

2



3

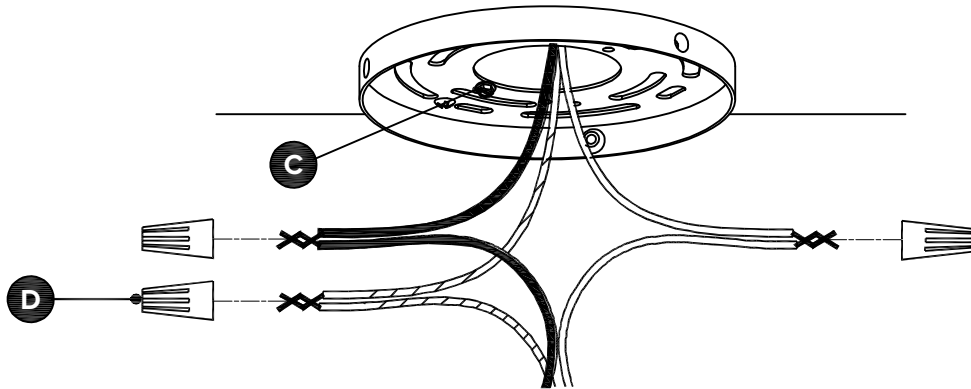
**CAUTION**  
Turn off power at main circuit panel before starting installation.



! Thread wires through mounting bracket iron round (B) before attaching to junction box.

4

! Match up wires by color and attach with wire nuts (E).  
BLACK: Hot Fixture  
WHITE: Neutral Fixture  
GREEN OR BARE COPPER: Ground wire



! If junction box does not have a green ground wire, attach ground wire from lamp to short green screw (C) on mounting bracket.

5

