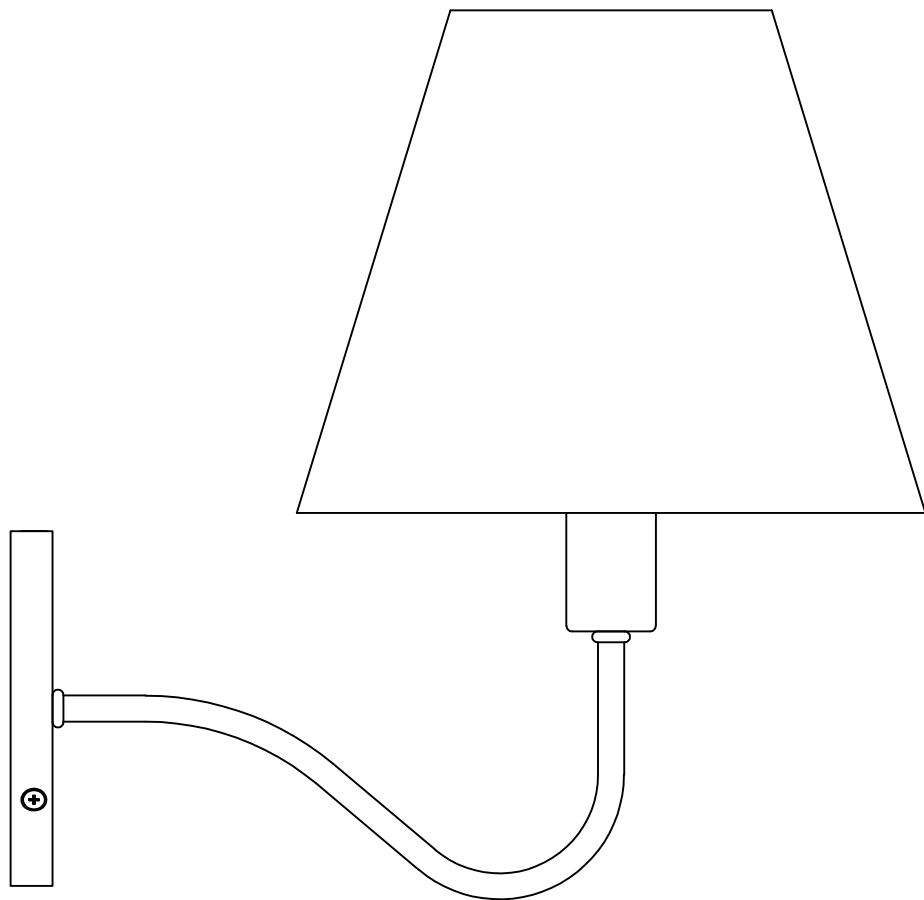


ARTICLE.

VERSION 1

Assembly Instructions



LOMBARD

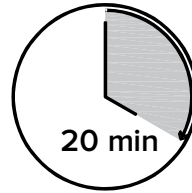
Sconce

ASSEMBLY INSTRUCTIONS

Read these instructions carefully and keep for future reference. Refer to parts inventory for guidance, and ensure you have all pieces before starting.

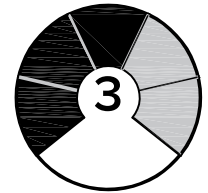
When assembling, place all parts on a soft, clean, and flat surface such as a carpet to prevent scratches.

If you're having difficulty, our friendly Customer Care team is always here to help. Call us at **1.888.746.3455** during business hours, email **service@article.com** or chat live at **article.com**.



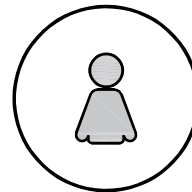
20 min

TIME

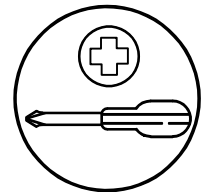


3

DIFFICULTY

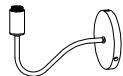





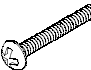


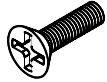

OF PEOPLE



REQUIRED TOOL

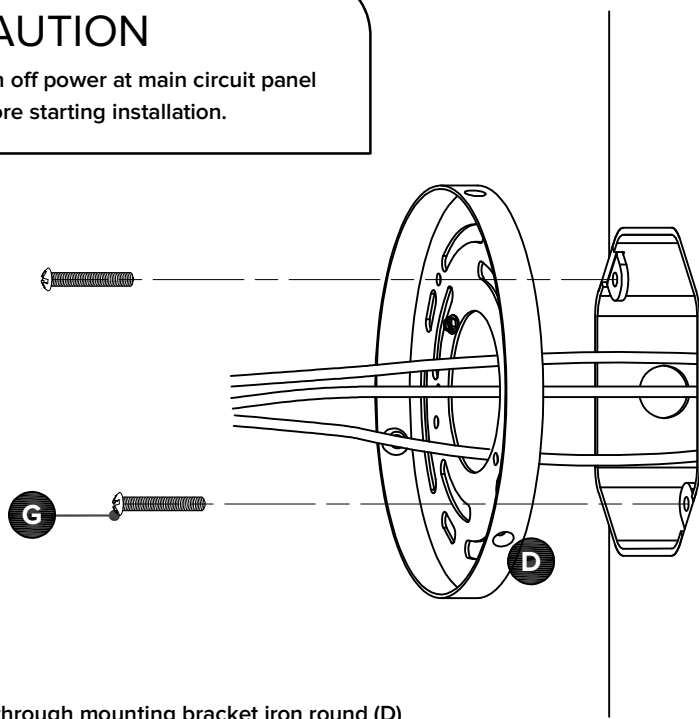
! Consultation with a professional electrician is recommended for the installation of this sconce.

PARTS INVENTORY			
ID	DESCRIPTION		QTY
A	LAMP BODY		1
B	SHADE		1
C	SOCKET RING (PRE-INSTALLED)		1
D	MOUNTING BRACKET IRON ROUND		1
E	SHORT GREEN SCREW 8/32x8mm		1
F	WIRE NUT		3
G	MOUNTING SCREWS 8/32x25mm		2

PARTS INVENTORY CONT.			
ID	DESCRIPTION		QTY
H	SIDE SCREW 8/32x20mm		3
I	BULB E12		1

1

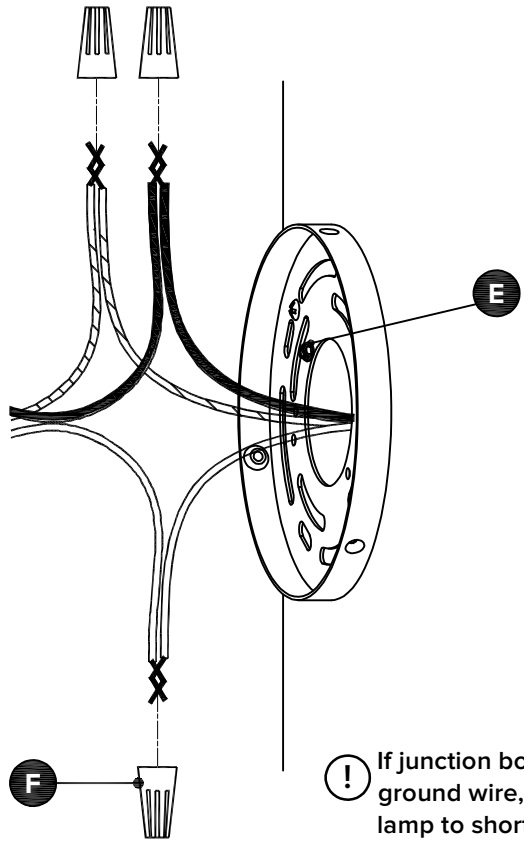
CAUTION
Turn off power at main circuit panel
before starting installation.



Thread wires through mounting bracket iron round (D)
before attaching to junction box.

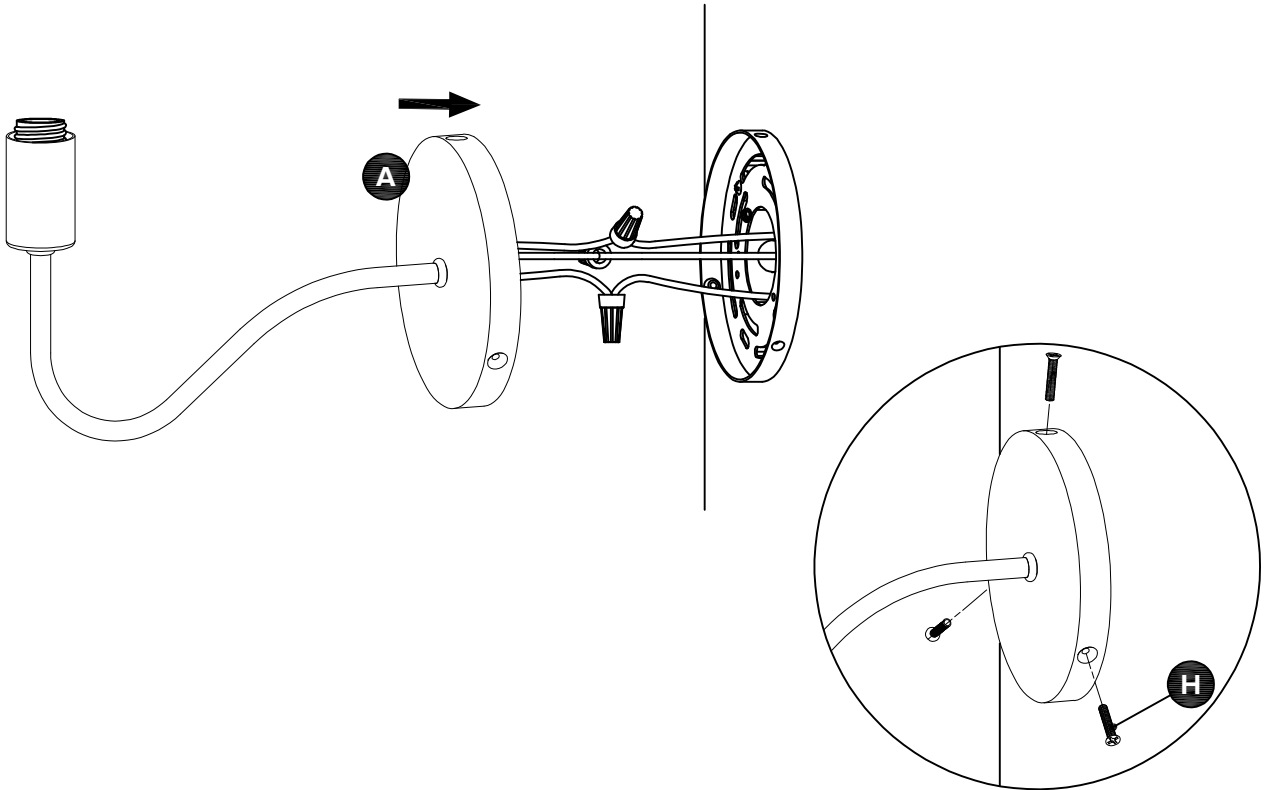
2

Match up wires by color and
attach with wire nuts (F).
BLACK: Hot Fixture
WHITE: Neutral Fixture
GREEN OR BARE COPPER: Ground wire



If junction box does not have a green
ground wire, attach ground wire from
lamp to short green screw (E) on
mounting bracket.

3



4

